

SERIE 1500

PROJECT PROJET
SPEC TYPE
NOTES

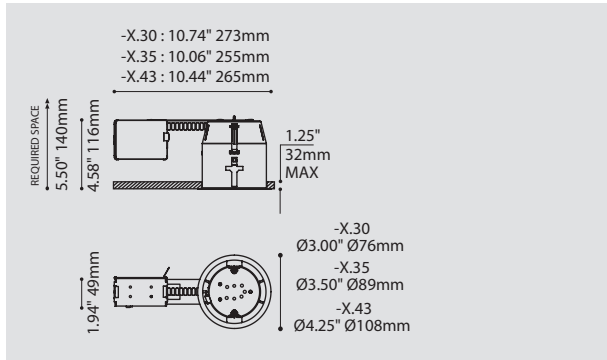
REMODELING — 1500 SERIES RÉNOVATION — SÉRIES 1500

- Housing for non insulated ceilings
- MR16, GU/GZ10, PAR20 & CFL
- Integral thermal protection
- Fits ceilings of up to 1.25" (32mm) thickness
- UL (C-UL-US) certified

- Boîtier pour les plafonds non isolés
- MR16, GU/GZ10, PAR20 & CFL
- Protection thermique intégrée
- S'installe dans des plafonds d'épaisseur allant jusqu'à 1.25" (32mm)
- Certifiés UL (C-UL-US)

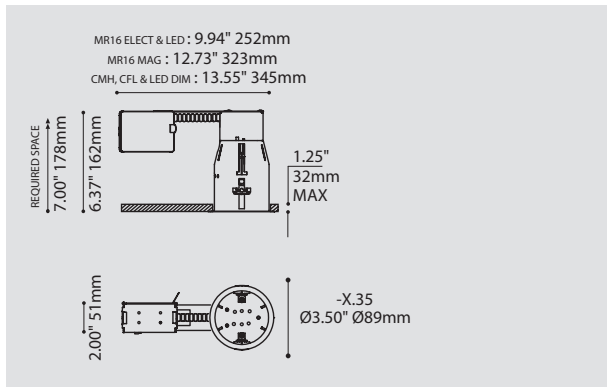
REMODELING HOUSING BOITIERS RÉNOVATION

1500C	35/50W, HAL, MR16, GU5.3 BASE (Ø3", Ø3.5" & Ø4.25")
1501C	50W, INC, PAR20 MEDIUM BASE (Ø3.5")
1504C	16W MAX, LED, MR16, GU5.3 BASE (Ø3", Ø3.5")



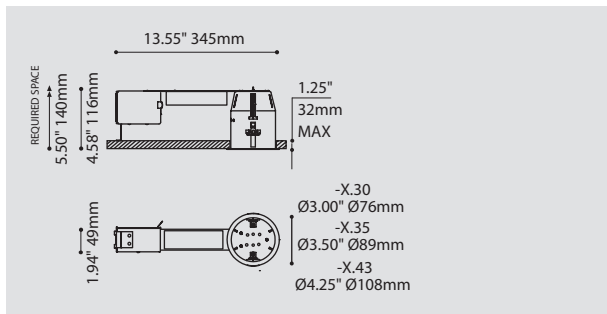
REMODELING HOUSING BOITIERS RÉNOVATION

1500C.TL	50W, HAL, MR16, GU5.3 BASE, TWIST AND LOCK (Ø3.5")
1520C.TL	50W, HAL, MR16, GU5.3 BASE, TWIST AND LOCK, MAG (Ø3.5")
1524C.TL	16W MAX., LED, MR16, GU5.3 BASE, TWIST AND LOCK (Ø3.5")
1523C.TL	20W, CMH, MR16, GX10 BASE, TWIST AND LOCK (Ø3.5")
1522C.TL	13W, CFL, DOUBLE TWIN TUBE, GX23-2 BASE, TWIST AND LOCK (Ø3.5")
1524C.TL	4W, EUREKA LED MODULE, TWIST AND LOCK (Ø3.5")



REMODELING HOUSING BOITIERS RÉNOVATION

1523C	20W, CMH, MR16, GX10 BASE (Ø3.5")
1520C	50W/75W, HAL, MR16, GU5.3 BASE (Ø3.5" & Ø4.25")



SERIE 1600

PROJECT PROJET
SPEC TYPE
NOTES

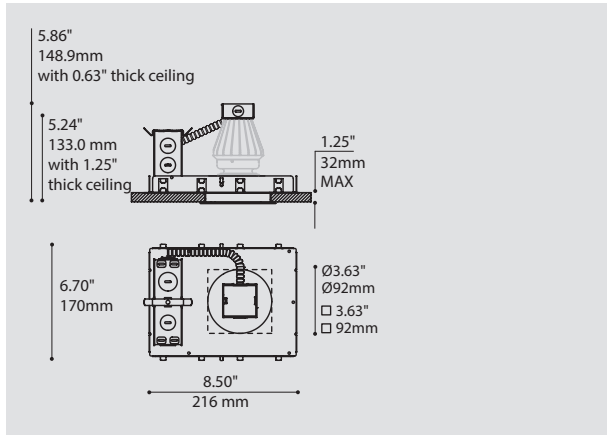
NEW CONSTRUCTION — 1600 SERIES NOUVELLE CONSTRUCTION — SÉRIE 1600

- Housing for non insulated ceilings
- MR16, GU/GZ10, PAR20 & CFL
- Integral thermal protection
- Hanger bars that adjust between 14.25" (360mm) and 26" (660mm)
- Fits ceilings of up to 1.25" (32mm) thickness
- UL (C-UL-US) certified

- Boîtier pour les plafonds non isolés
- MR16, GU/GZ10, PAR20 & CFL
- Protection thermique intégrée
- Barres de suspension ajustables entre 14.25" (360mm) et 26" (660mm)
- S'installe dans des plafonds d'épaisseur allant jusqu'à 1.25" (32mm)
- Certifiés UL (C-UL-US)

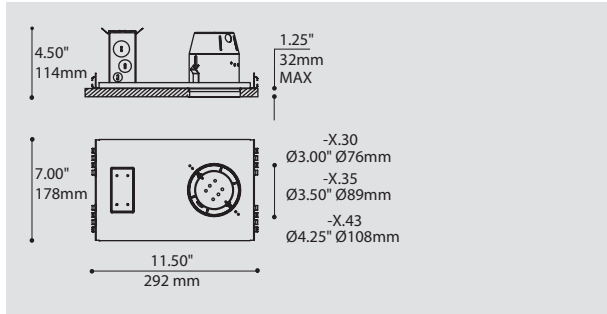
NEW CONSTRUCTION NOUVELLE CONSTRUCTION

1604 16W MAX, LED, MR16, GU5.3 BASE (Ø3.50" & Ø3.50")



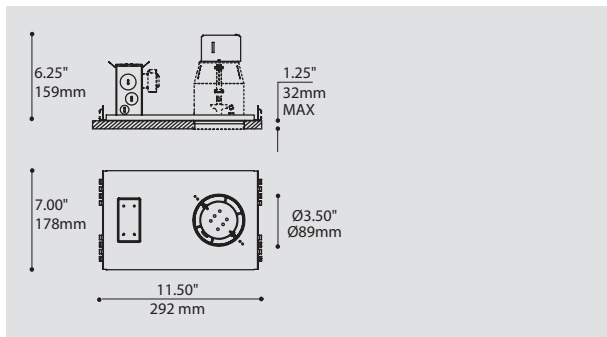
NEW CONSTRUCTION NOUVELLE CONSTRUCTION

1604C 16W MAX, LED, MR16, GU5.3 BASE (Ø3" & Ø3.5")
1600C 50W, HAL, MR16, GU5.3 BASE (Ø3", Ø3.5" & Ø4.25")
1601C 50W, INC, PAR 20 MEDIUM BASE (Ø3.5")
1602 13W, CFL, DOUBLE TWIN TUBE, G24Q1 BASE (Ø3.5")
1603C 20W, CMH, MR16, GX10 BASE (Ø3.5")



NEW CONSTRUCTION NOUVELLE CONSTRUCTION

1604C.TL 16W MAX, LED, MR16, GU5.3 BASE, TWIST AND LOCK (Ø3.5")
1600C.TL 50W, HAL, MR16, GU5.3 BASE, TWIST AND LOCK (Ø3.5")
1602C.TL 13W, CFL, DOUBLE TWIN TUBE, G24Q1 BASE, TWIST AND LOCK (Ø3.5")
1604C.TL 4W, EUREKA LED MODULE, TWIST AND LOCK (Ø3.5")

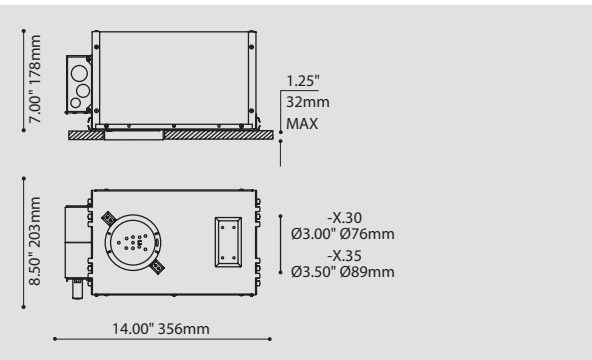


SERIE 1700

PROJECT PROJET

SPEC TYPE

NOTES



AIR HANDLING & NON-IC — 1700 SERIES RETOUR D'AIR & NON-PI — SÉRIES 1700

- Air-tight housing for non-insulated ceilings
- MR16 & CFL
- Integral thermal protection
- Hanger bars that adjust between 14.25" (360mm) and 26" (660mm)
- Fits ceilings of up to 1.25" (32mm) thickness
- UL (C-UL-US) certified

- Boîtier hermétique pour les plafonds non isolés
- MR16 & CFL
- Protection thermique intégrée
- Barres de suspension ajustables entre 14.25" (360mm) et 26" (660mm)
- S'installe dans des plafonds d'épaisseur allant jusqu'à 1.25" (32mm)
- Certifiés UL (C-UL-US)

AIR-HANDLING & NON-IC RETOUR D'AIR & NON-PI

1704C3	16W MAX, LED, MR16, GU5.3 BASE (Ø3" & Ø3.5")
1704C3.TL	16W MAX, LED, MR16, GU5.3 BASE, TWIST AND LOCK (Ø3.5")
1710C3.TL	50W, HAL, MR16, GU5.3 BASE, TWIST AND LOCK (Ø3.5")
1712C3.TL	13W, CFL, DOUBLE TWIN TUBE, G24Q1 BASE, TWIST AND LOCK (Ø3.5")
1714C3.TL	4W, EUREKA LED MODULE, TWIST AND LOCK (Ø3." & Ø3.5")

CUTTING HOLE (.30)



CUTTING HOLE (.35)



SERIE 1800

PROJECT PROJET
SPEC TYPE
NOTES

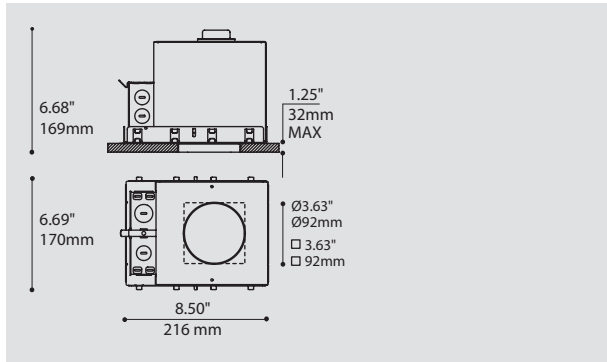
AIR TIGHT & INSULATED CEILING (IC) — 1800 SERIES HERMÉTIQUE & PLAFOND ISOLÉ (IC) — SÉRIE 1800

- Air-tight housing for insulated ceilings
- MR16, GU/GZ10, PAR20 & CFL
- Integral thermal protection
- Hanger bars that adjust between 14.25" (360mm) and 26" (660mm)
- Fits ceilings of up to 1.25" (32mm) thickness
- UL (C-UL-US) certified

- Boîtier hermétique pour les plafonds isolés
- MR16, GU/GZ10, PAR20 & CFL
- Protection thermique intégrée
- Barres de suspension ajustables entre 14.25" (360mm) et 26" (660mm)
- S'installe dans des plafonds d'épaisseur allant jusqu'à 1.25" (32mm)
- Certifiés UL (C-UL-US)

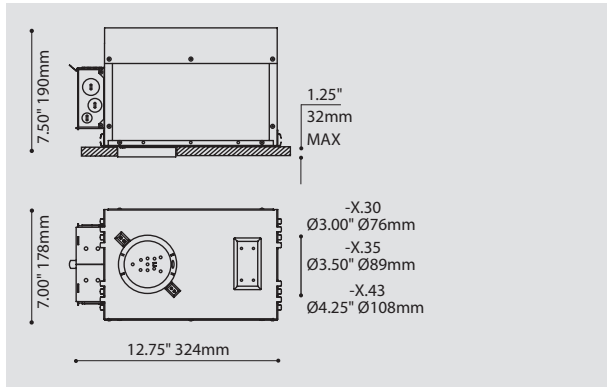
AIR-HANDLING & NON-IC RETOUR D'AIR & NON-PI

1804 16W MAX, LED, MR16, GU5.3 BASE (Ø3.5" & Ø3.5")



AIR-HANDLING & NON-IC RETOUR D'AIR & NON-PI

- 1804C** 16W MAX, LED, MR16, GU5.3 BASE (Ø3" & Ø3.5")
1804C.TL 16W MAX, LED, MR16, GU5.3 BASE, TWIST AND LOCK (Ø3.5")
1810C 35W, HAL, MR16, GU5.3 BASE (Ø3.00", Ø3.5" & 4.25")
1811C 35W, HAL, MR16, GZ10 BASE (Ø3.5" & 4.25")
1811C 50W, INC, PAR 20 MEDIUM BASE (Ø3.5")
1812C 13W, CFL, DOUBLE TWIN TUBE, G24Q1 BASE, TWIST AND LOCK (Ø3.5")
1814C 4W, EUREKA LED MODULE, TWIST AND LOCK (Ø3.5")



AIR-HANDLING & NON-IC RETOUR D'AIR & NON-PI

- 1820C** 50W, HAL, MR16, GU5.3 BASE (Ø3", Ø3.5" & 4.25")
1820C.TL 50W, HAL, MR16, GU5.3 BASE, TWIST AND LOCK (Ø3.5")
1821C 50W, HAL, MR16, GZ10 BASE (Ø3.5" & 4.25")

