



THOMPSON

 EUREKA

THOMPSON

Ceiling Suspended

74542-48

Washable and stain-resistant Trilam shade

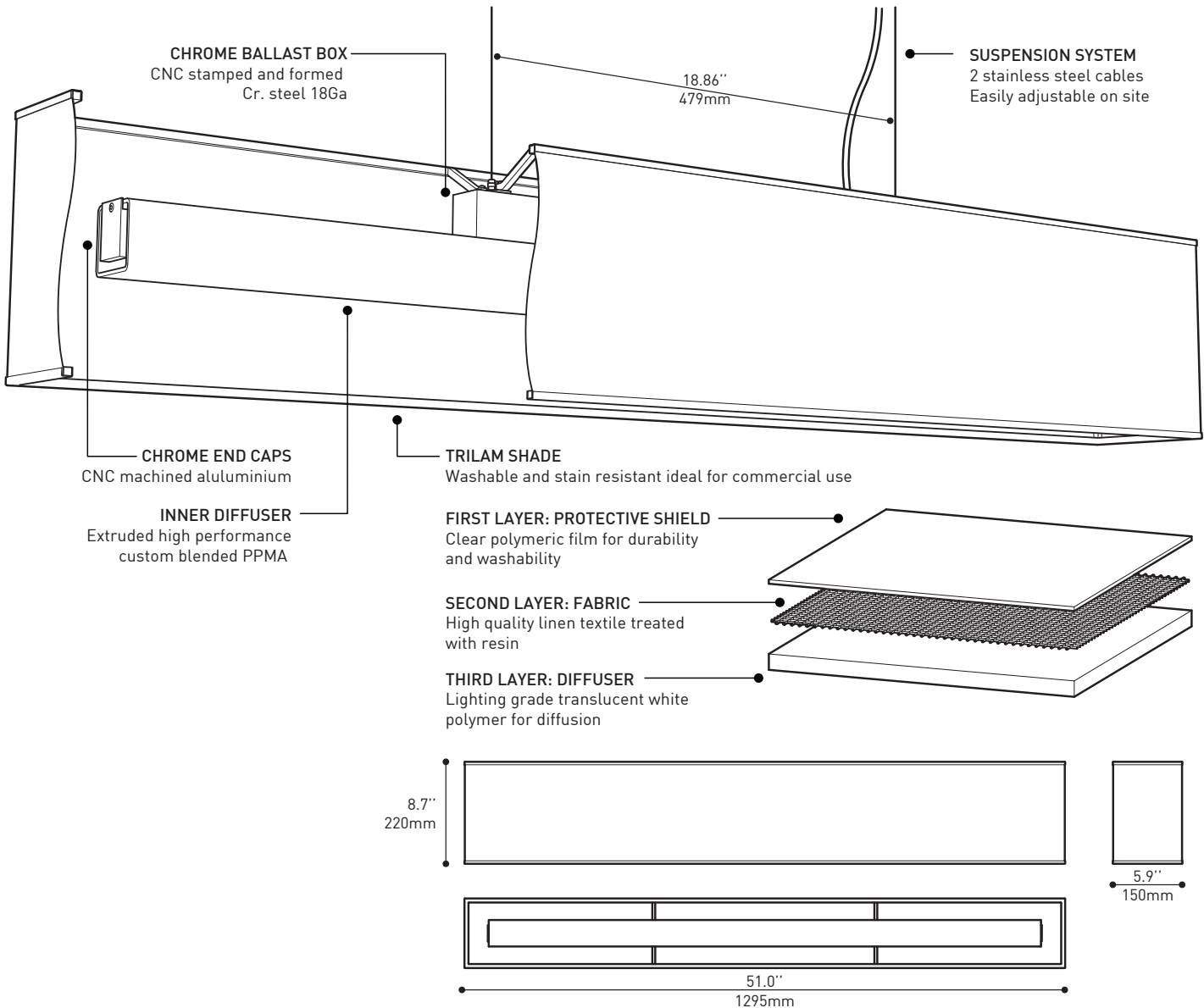
Inner diffuser for glare-free operation

High performance fluorescent T5 or LED 18W sources available



SQUARE SHADY

Ceiling Suspended Anatomy



SPECIFICATIONS

LIGHT SOURCE
MODULE
LUMENS (ESTIMATED)
CCR / CRI
VOLTAGE
POWER SOURCE
DIMMING
EMERGENCY
LM-79 / L70
ROHS
WARRANTY

LED 18W

36 x 0.5W Seoul Semiconductor LED (3000K/4000K)
UL recognized - made in USA
1040 lm (3000K) - 1080 lm (4000K)
ANSI binned 80 CRI
120V
Lightech 12V- 10W Constant Voltage
Advance Xitanium
N/A
In process / Estimated 50 000 hrs
Compliant
5 years (on electronic components)

T5 / T5H0

Fluo mini bi 28W (T5) or 54W (T5H0)
120-277V or 120V or 277V or 347V (depending of the ballast)
Advance Centium or equivalent
Advance MarkX & Mark7, Ltutron Hi-Lume 3D
Remote Iota ISL-28 or ISL-54
3-5 years (depending of the ballast, on electronic components)

BIM

DIM

IES

LED



EUREKA

THOMPSON 74542-48

PROJECT PROJET
SPEC TYPE
NOTES



NEW / NOUVEAUTÉ

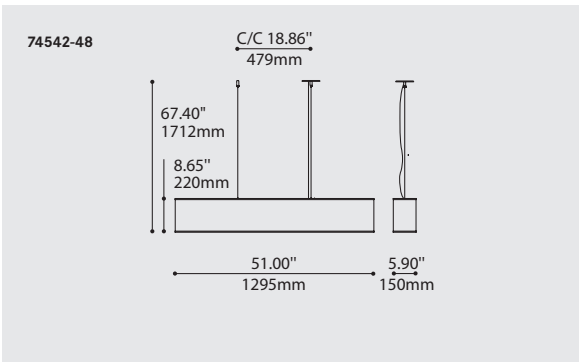
OPTIONS



WLT (WASHABLE)



GLT (WASHABLE)



ORDERING SPECIFICATION SPÉCIFICATION DE COMMANDE

CODE

MODEL MODÈLE **74542-48**

74542-48 THOMPSON

LIGHT SOURCE SOURCE LUMINEUSE

(WATTAGE, LAMP TYPE, LAMP FORM, BASE TYPE, OTHER INFO)

F.T5.28  28W, T5

F.T5.54  54W, T5 HO

LED.18.30  18W, LED 3000K (WARM) (120V ONLY)

LED.18.40  18W, LED 4000K (NEUTRAL) (120V ONLY)

VOLTAGE VOLTAGE

120V 120 VOLT

277V 277 VOLT

347V* 347 VOLT

*ONLY AVAILABLE WITH T5 (NON-DIMMING BALLAST)

DIMMING OPTION OPTION DE GRADATION

AVAILABLE WITH F.T5.54 ONLY

DM1 ADVANCE MARK 10 ELECTRONIC DIMMING BALLAST*

AVAILABLE WITH F.T5.28 AND F.T5.54 ONLY

DM7 ADVANCE MARK 7 ELECTRONIC DIMMING BALLAST*

AVAILABLE WITH ALL T5 LIGHT SOURCES

D3D LUTRON HI-LUME 3D ELECTRONIC DIMMING BALLAST (ECOSYSTEM DIGITAL LINK WIRING)*

D33 LUTRON HI-LUME 3D ELECTRONIC DIMMING BALLAST (3-WIRE WIRING)*

AVAILABLE WITH ALL LED LIGHT SOURCES

DXT ADVANCE XITANIUM ELECTRONIC DIMMING CONTROLLER*

*SEE REFERENCE SECTION FOR OPTIONS PAGE 524

CABLE CABLE

AC AIRCRAFT MOUNTING & CLEAR CABLE, FIELD ADJUSTABLE

STEM OR CABLE LENGTH LONGUEUR DE TIGE OU CABLE

60 60" AIRCRAFT CABLE (STD LENGTH)

** CUSTOM AIRCRAFT CABLE LENGTH (MAX 180") (PLEASE SPECIFY)

FOR OVERALL LENGTH PLEASE CONTACT YOUR EUREKA REPRESENTATIVE

STRUCTURE FINISH FINI STRUCTURE ^(B)

CHR CHROME

S C SATIN CHROME

^(B) INCLUDING CANOPY FINISH IF A CANOPY IS SELECTED

SHADE FINISH FINI ABAT-JOUR

WLT WHITE - LINEN - TRILAM

GLT GRAY - LINEN - TRILAM

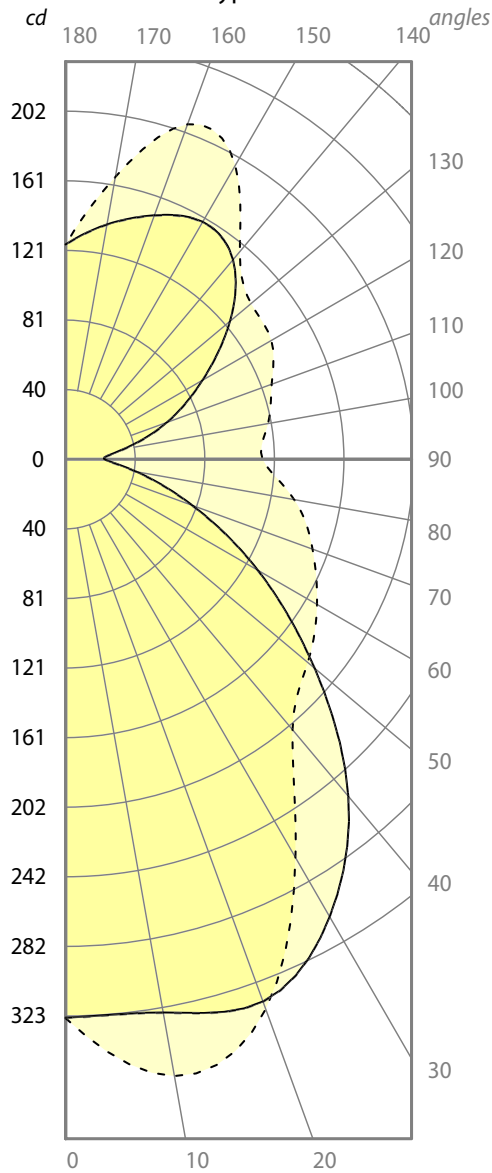


SQUARE SHADY

Ceiling Suspended Photometry

74542-CHR-GLT-F28WT5
One 28W Fluorescent - T5

Number of lamps: 1
Lumens per lamp: 2900
Input watts: 31
Distribution: Direct-Indirect
Efficiency: 62.3
Photometric type: C



----- 0 - 180
————— 90 - 270

74542-CHR-WLT-F28WT5
One 28W Fluorescent - T5

Number of lamps: 1
Lumens per lamp: 2900
Input watts: 31
Distribution: Direct-Indirect
Efficiency: 67.8
Photometric type: C

