

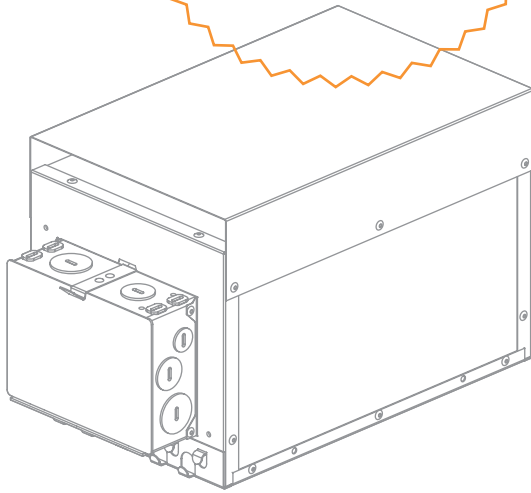
# 1800 SERIES HOUSINGS

airtight + insulated ceiling (IC)



EUREKA

**NEW &  
IMPROVED**



# 1800 SERIES HOUSINGS

airtight + insulated ceiling (IC)

- \_ newly designed housings now the smallest in the industry
- \_ designed for New Construction applications
- \_ meticulously built to be completely airtight
- \_ perfect for LEED and Title 24 certified projects
- \_ housings are completely vibration free
- \_ efficient Quick Delivery program now available
- \_ compatible with all of Eureka's recessed trims and lamps

**the most compact  
in the industry**

side view

**now 50%  
smaller**

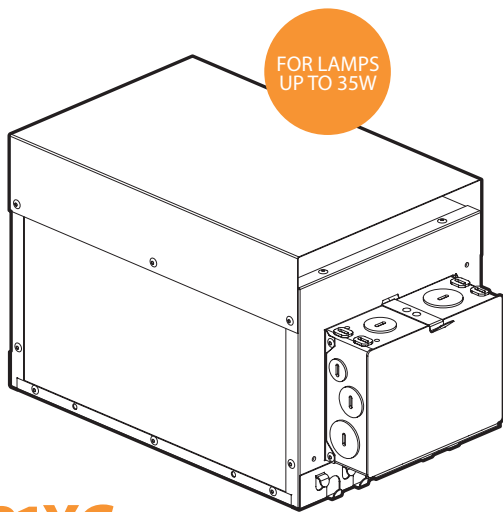
top view

\* 1820 series are 50% smaller / 1810 series are 22% smaller

# HOUSING TYPES

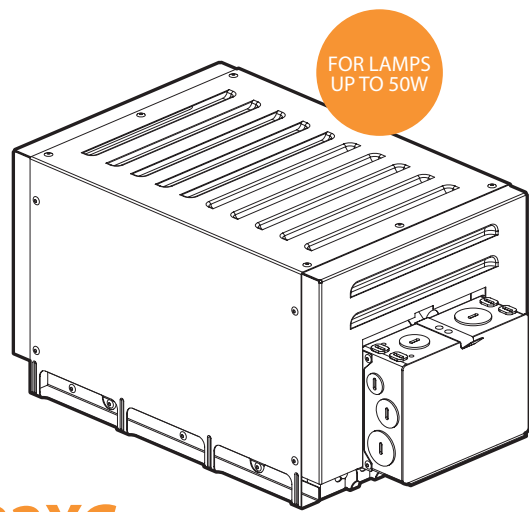
the design of these housings are certified for air-tight construction and IC applications

- \_ compatible with compact fluorescent, halogen, metal halide and incandescent lamp options
- \_ high quality electronic convertors provide quiet, efficient and vibration free operating
- \_ heavy duty commercial grade housings ensure product longevity
- \_ features an innovative, patent pending louver cooling system
- \_ and coming soon...LED lamp options for all housings



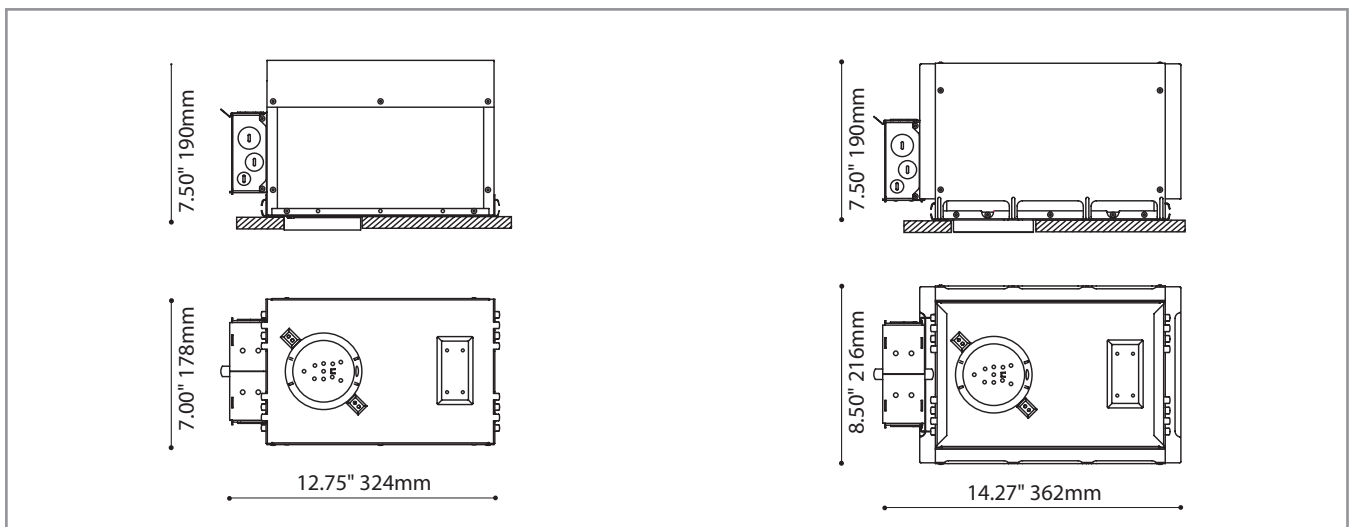
## 181XC

the compact 181XC IC housing is standard when specifying MR16 and other light sources up to 35W



## 182XC

when a stronger lumen package is required, the slightly larger 182XC housing is our standard IC product that accomodates MR16 and other light sources up to 50W



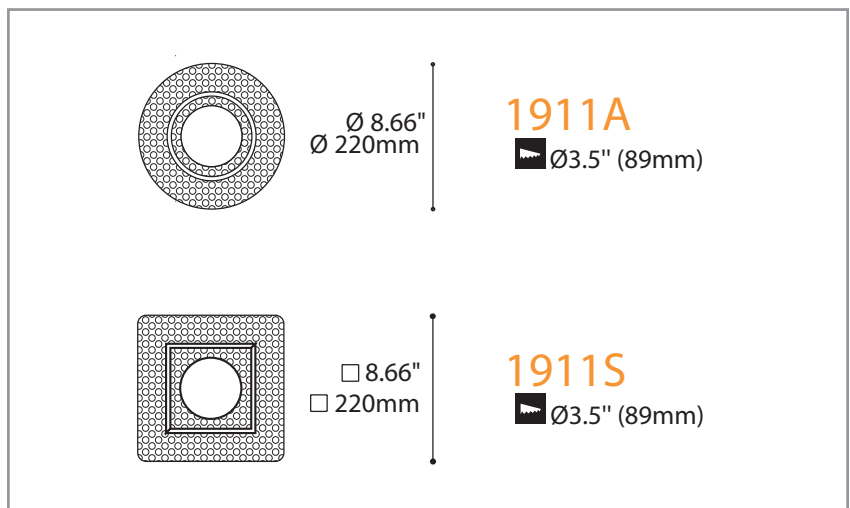
# FLUSH™ MOUNTING ACCESSORY

for all 1800 series



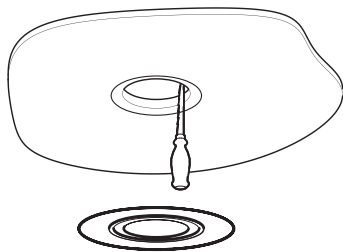
For a clean look without the hassle of a trim-less installation, this accessory allows trims to be completely flush with the ceiling. When using this accessory, trims are easily removed for servicing or relamping without any damage to the finished ceiling. The clever design is easy to install and is delivered with a cardboard insert to ensure perfect plastering every time.

The Flush™ mounting accessory comes in two shapes so it can be fitted to all round or square style flat trims, and function with all housings.



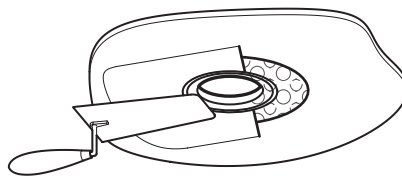
## INSTALLATION

### [STEP 1]



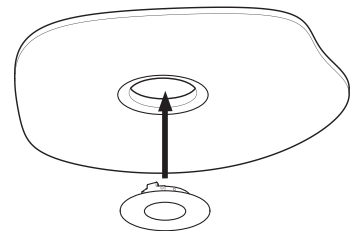
Determine housing positioning and cut hole. Remove the tape backing paper. Align inside edge of Flush™ mounting accessory to hole and secure.

### [STEP 2]



Plaster over Flush™ mounting accessory. If cardboard protector is missing, be careful not to fill past raised border. Smooth to finish.

### [STEP 3]

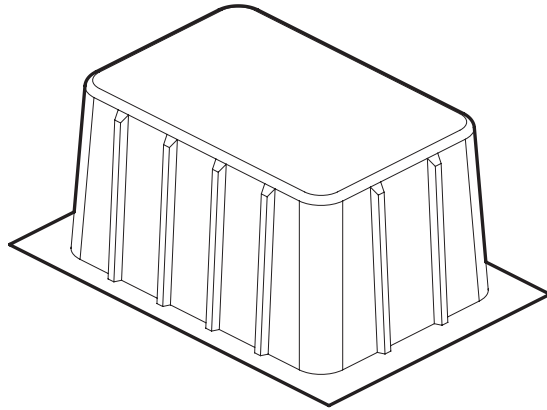


Drop and align can with ceiling line. Tighten mounting clip screws. Install lamp and trim. Fixture is now flush with ceiling.

## 1800 SERIES ACCESSORY

---

vapour barrier



### 1980

When projects require extra protection for their recessed fixtures, this vapour barrier adds an extra level of protection to an insulated ceiling (IC) rated housing. Therefore eliminating any possible infiltration of humidity above and beyond air exchange control.

## SPECIFICATION

---

for all 1800 series

For full specification information, please visit us at [www.eurekalighting.com](http://www.eurekalighting.com), contact your local Eureka representative, or refer to page 100 of our catalogue for the complete list of all possible combinations of housings and trims.

**QUICK DELIVERY/** FOR QUANTITIES OF 25 OR LESS, MOST 1800 SERIES ARE AVAILABLE FOR QUICK SHIPPING



# 1800 SERIES HOUSINGS

airtight + insulated ceiling (IC)

