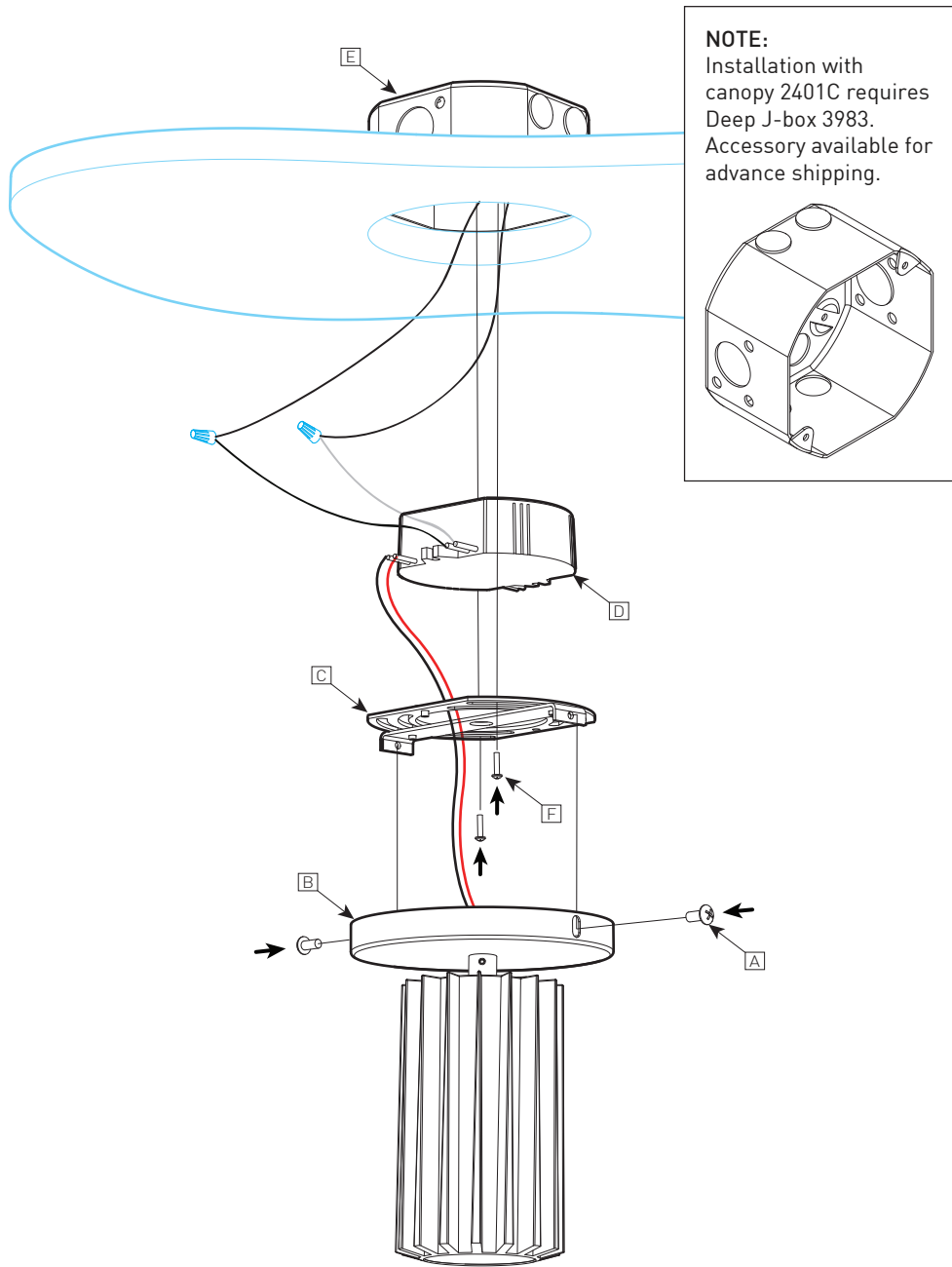
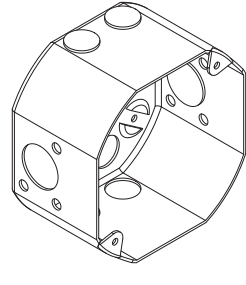


# INSTALLATION MAINTENANCE

## Ceiling Surface Fixture Plafonnier

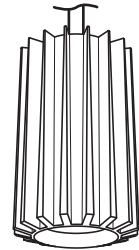


**NOTE:**  
Installation with canopy 2401C requires Deep J-box 3983. Accessory available for advance shipping.

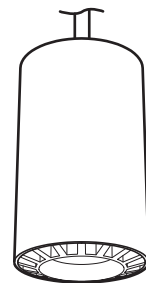


SHADES  
ABATS-JOUR

TURBINE



POINT



### INSTALLATION

REMOVE SCREWS [A] (8-32 X 3/8in) TO RELEASE THE CANOPY [B] FROM THE UNIVERSAL CROSSBAR [C].

1 - PLACE THE DRIVER [D] INSIDE THE JUNCTION BOX [E].  
MAKE THE ELECTRICAL CONNECTIONS AND INSTALL THE UNIVERSAL PLATE [C],  
(WIRE NUTS AND SCREWS [F] NOT SUPPLIED)

2 - INSTALL THE CANOPY [B] AND SCREW INTO PLACE.

### INSTALLATION

DÉVISSER LES 2 VIS [A] (8-32 X 3/8in) POUR LIBÉRER LE PAVILLON [B] DE LA PLAQUE UNIVERSELLE [C].

1 - PLACER LE PILOTE [D] DANS LA BOÎTE DE JONCTION [E].  
FAIRE LA CONNEXION DES FILS ET INSTALLER LA PLAQUE UNIVERSELLE [C].  
(MARRETTES ET VIS [F] NON INCLUSES)

2 - INSTALLER LE PAVILLON [B] ET VISSER EN PLACE.



225 de Liège Ouest, Suite #200  
Montréal (QC), Canada H2P 1H4  
Tel : 514.385.3515 Fax : 514.385.4169  
[www.eurekalighting.com](http://www.eurekalighting.com)



4544 | 4545  
Point | Turbine