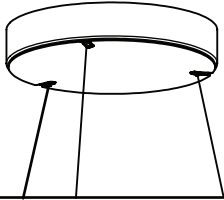


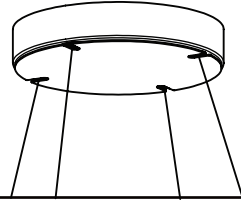
# PRODUCT 4803-XX CONFIGURATIONS

## CANOPY OPTIONS / OPTIONS DE PAVILLONS

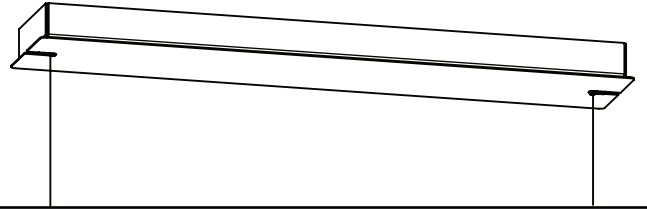
ROC - 3 DROPS



ROC - 3 DROPS



ROC - 2 DROPS



## RIVER CONFIGURATION OPTIONS / OPTIONS DE CONFIGURATION RIVER

4803-L32



4803-L52



4803-O36



4803-O48



4803-O68



4803-S38



4803-S56



4803-S72



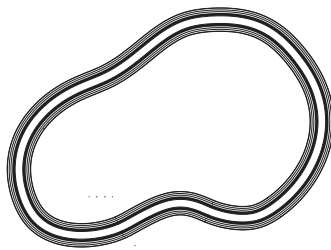
4803-R36



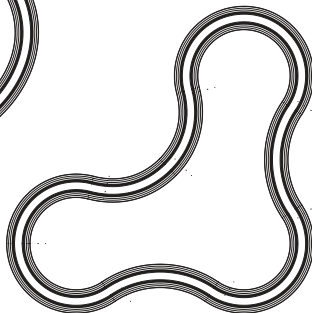
4803-R50



4803-R72



4803-LAG

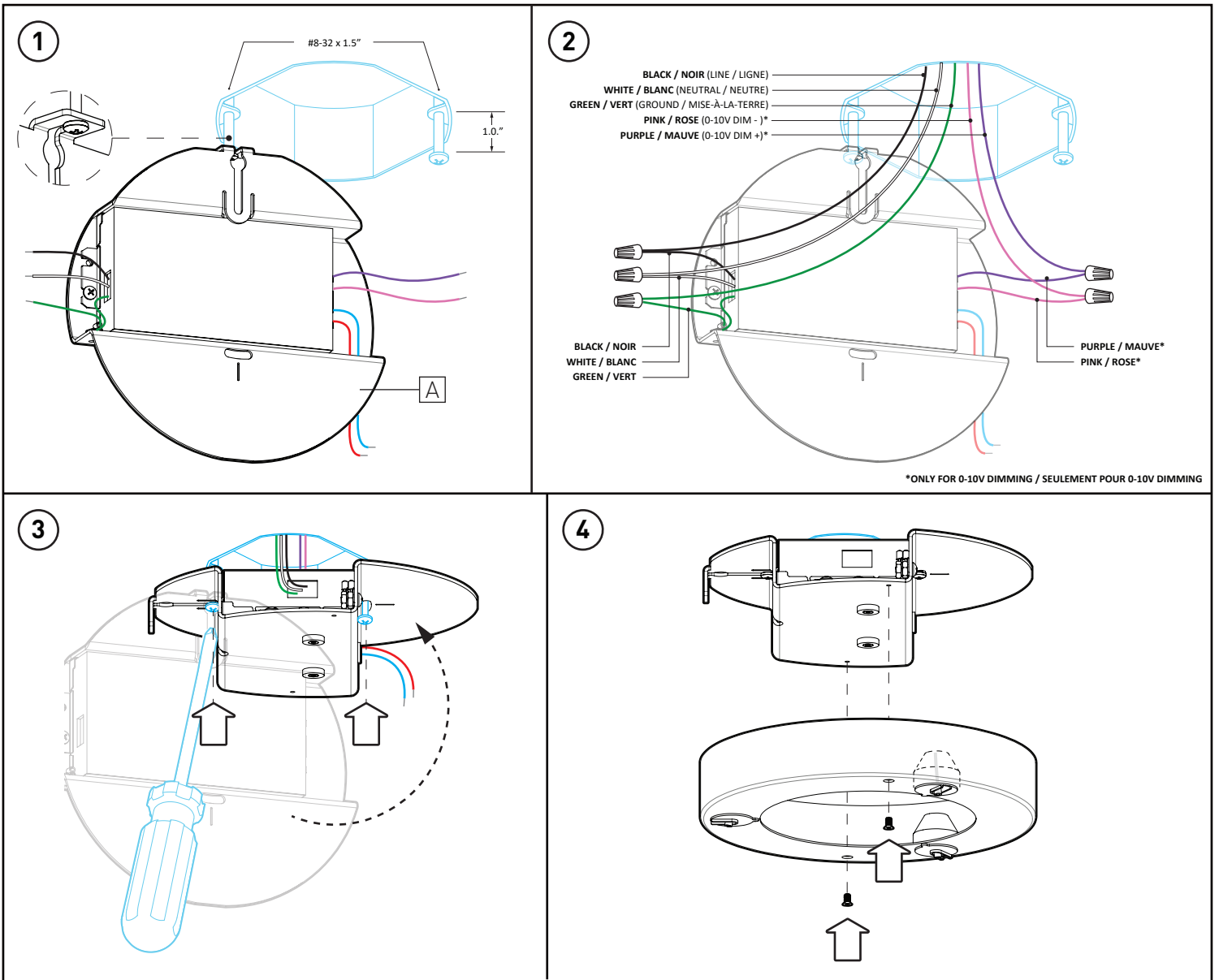


4803-FRE

	CODE	DIMENSIONS	WEIGHT/POIDS	GO TO:
STRAIGHT	4803-L32	32"	4.3lbs (1.9kg)	PAGE 7
	4803-L52	52"	7.8lbs (3.5kg)	
OBLONG	4803-O36	14" x 36"	10.9lbs (5.0kg)	PAGE 4
	4803-O48	16" x 48"	15.5lbs (7.1kg)	
	4803-O68	18" x 68"	22.0lbs (10.0kg)	
SQUARE	4803-S38	38" x 38"	19.2lbs (8.7kg)	PAGE 4
	4803-S56	56" x 56"	29.1lbs (13.2kg)	
	4803-S72	72" x 72"	40.8lbs (18.5kg)	
ROUND	4803-R36	Ø36"	15.5lbs (7.0kg)	PAGE 2
	4803-R50	Ø50"	21.9lbs (10.0kg)	
	4803-R72	Ø72"	32.9lbs (15.0kg)	
ORGANIC	4803-LAG	Ø58"	19.4lbs (8.8kg)	PAGE 4
	4803-FRE	Ø65"	29.2lbs (13.3kg)	

# PRODUCT 4803-XX

## ROC 3 DROP



### INSTALLATION

1- INSERT BOTH #8-32 SCREWS LEAVING A 1.0" DISTANCE BETWEEN THE SCREW HEAD AND THE JUNCTION BOX. HANG THE MOUNTING PLATE [A] ON ONE OF THE SCREW HEADS USING THE SLOT IN THE FOLDED FLAP

2- MAKE CONNECTIONS:

BLACK WIRE (LINE)	=	BLACK WIRE
WHITE WIRE (NEUTRAL)	=	WHITE WIRE
GREEN WIRE (GROUND)	=	GREEN WIRE
*PURPLE WIRE (0-10V DIM +)	=	PURPLE WIRE
*PINK WIRE (0-10V DIM -)	=	PINK WIRE
* ONLY FOR 0-10V DIMMING, OTHERWISE CAP WIRES		

3- LIFT MOUNTING PLATE FOLLOWING THE FOLDED FLAP SLOT AND FIX IN PLACE USING THE KEYHOLE ON THE OTHER SIDE OF THE PLATE; TIGHTEN SCREWS.

4- SCREW ON THE CANOPY HOUSING TO THE MOUNTING PLATE USING THE PROVIDED M3 SREWS (X2)

(NEXT STEPS ON PAGE 2)

### INSTALLATION

1- INSÉRER LES DEUX VIS #8-32 EN LAISSANT UN ESPACE DE 1.0" ENTRE LES TÊTES DE VIS ET LA BOÎTE DE JONCTION. SUSPENDRE LA PLAQUE DE MONTAGE [A] SUR L'UNE DES VIS EN UTILISANT L'OUVERTURE DE L'AILETTE

2- FAIRE LES CONNEXIONS:

FIL NOIR (LIGNE)	=	FIL NOIR
FIL BLANC (NEUTRE)	=	FIL BLANC
FIL VERT (MISE-À-LA-TERRE)	=	FIL VERT
*FIL MAUVE (0-10V DIM +)	=	FIL MAUVE
*FIL ROSE (0-10V DIM -)	=	FIL ROSE
* SEULEMENT POUR 0-10V DIMMING, SINON COUVRIR LES FILS		

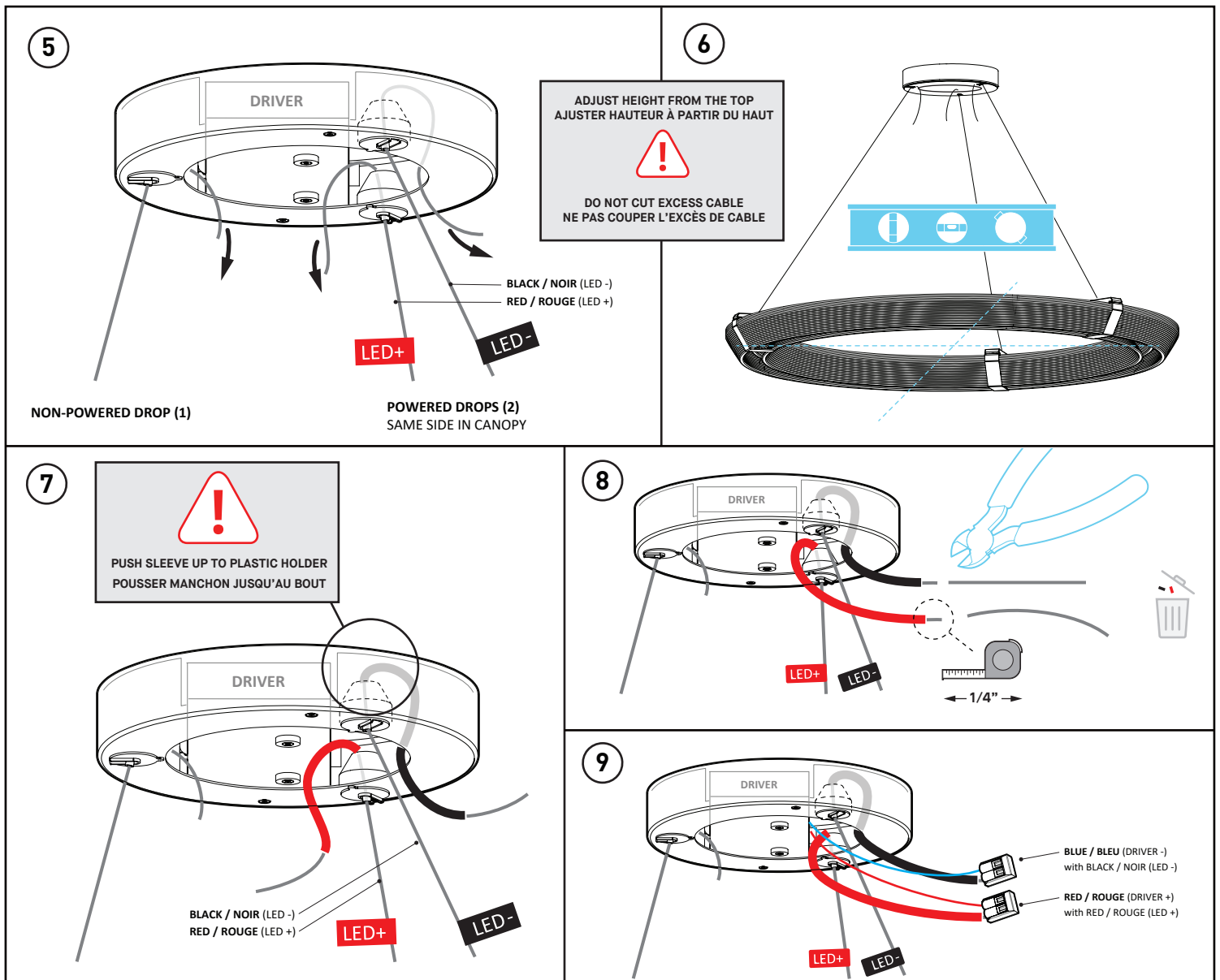
3- GLISSER LA PLAQUE DE MONTAGE POUR LA PLACER À L'HORIZONTAL, FIXER L'AUTRE CÔTÉ AVEC LA VIS. RESSERRER LES DEUX VIS.

4- VISSER LE BOÎTIER DU CANOPY À LA PLAQUE DE MONTAGE À L'AIDE DES DEUX VIS M3.

(SUITE À LA PAGE 2)

# PRODUCT 4803-XX

## ROC 3 DROP



### INSTALLATION

- 5- INSERT THE AIRCRAFT CABLES IN THE BALL GRIPPERS. MAKE SURE TO CHECK THE TAGS FOR POWER CABLES AND INSERT THEM ON THE SAME SIDE IN THE CANOPY. DO NOT CUT THE CABLES
- 6- MAKE SURE THE FIXTURE IS LEVELED BY ADJUSTING THE CABLES FROM INSIDE THE CANOPY.
- 7- SLIDE THE RED SILICON SLEEVE ON THE EXCESS AIRCRAFT CABLE LABELED (+) AND THE BLACK SILICON SLEEVE ON THE AIRCRAFT CABLE LABELED (-). MAKE SURE TO PUSH THE SLEEVE ALL THE WAY UP TO THE PLASTIC HOLDER
- 8- CUT THE EXCESS AIRCRAFT CABLES LEAVING 1/4" FROM THE SLEEVE.
- 9- CONNECT THE POWERED CABLES [B] IN CANOPY HOUSING USING WAGO CONNECTORS:
 

BLACK WIRE (LED -)	=	BLACK WIRE (DRIVER -)
RED WIRE (LED +)	=	RED WIRE (DRIVER +)
- 10- PUT THE MAGNETIC COVER BACK ON THE CANOPY

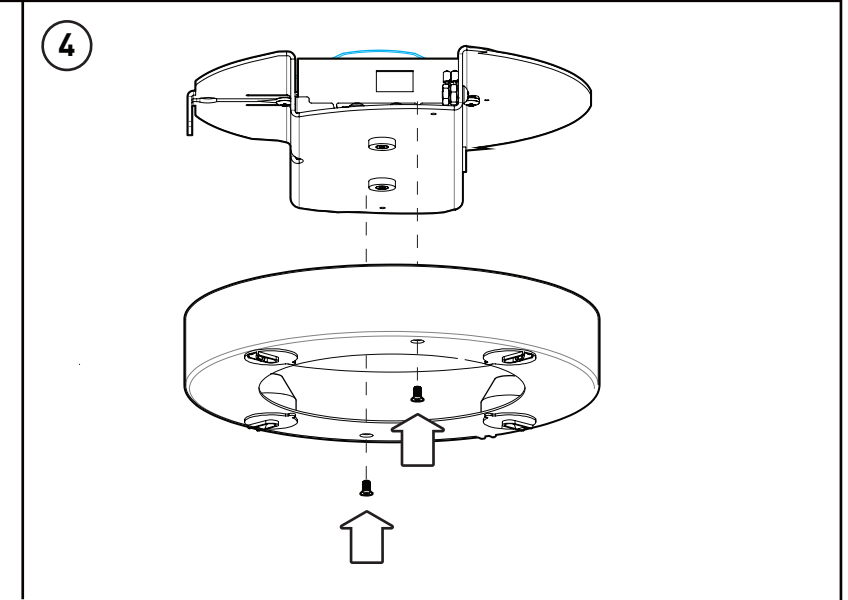
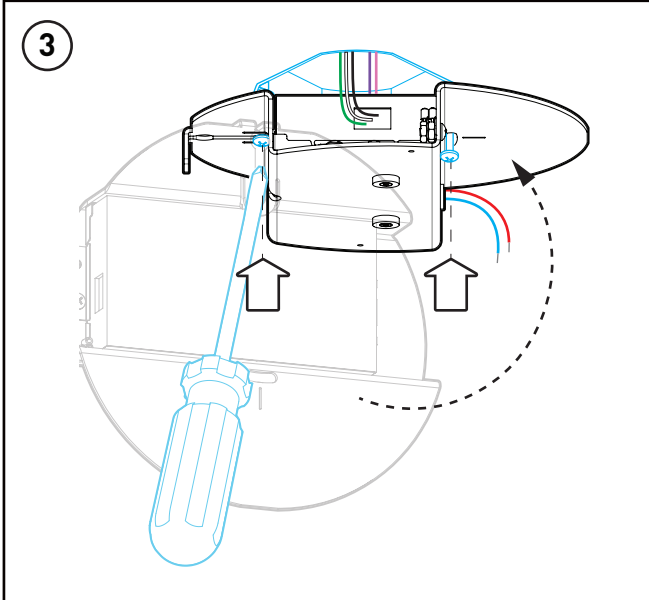
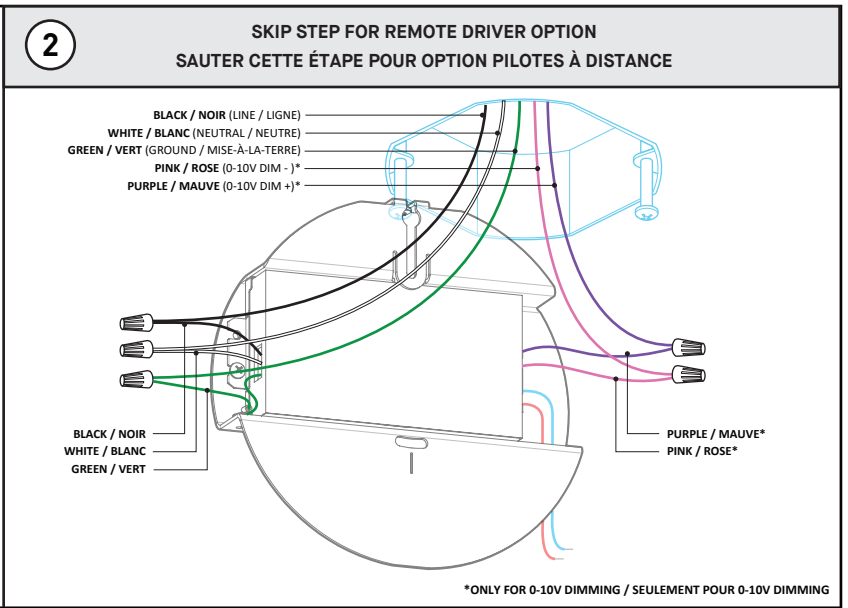
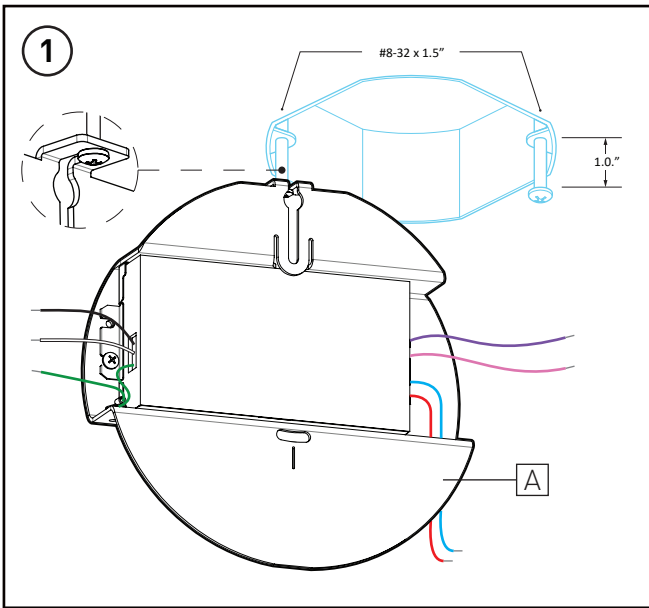
### INSTALLATION

- 5- INSERT THE AIRCRAFT CABLES IN THE BALL GRIPPERS. MAKE SURE TO CHECK THE TAGS FOR POWER CABLES AND INSERT THEM ON THE SAME SIDE IN THE CANOPY. DO NOT CUT THE CABLES
- 6- MAKE SURE THE FIXTURE IS LEVELED BY ADJUSTING THE CABLES FROM INSIDE THE CANOPY.
- 7- SLIDE THE RED SILICON SLEEVE ON THE EXCESS AIRCRAFT CABLE LABELED (+) AND THE BLACK SILICON SLEEVE ON THE AIRCRAFT CABLE LABELED (-). MAKE SURE TO PUSH THE SLEEVE ALL THE WAY UP TO THE PLASTIC HOLDER
- 8- CUT THE EXCESS AIRCRAFT CABLES LEAVING 1/4" FROM THE SLEEVE.
- 9- CONNECT THE POWERED CABLES [B] IN CANOPY HOUSING USING WAGO CONNECTORS:
 

BLACK WIRE (LED -)	=	BLACK WIRE (DRIVER -)
RED WIRE (LED +)	=	RED WIRE (DRIVER +)
- 10- REMETTRE LA PLAQUE MAGNÉTIQUE SUR POUR COUVRIR LE PAVILLON

# PRODUCT 4803-XX

## ROC 4 DROP



### INSTALLATION

1- INSERT BOTH #8-32 SCREWS LEAVING A 1.0" DISTANCE BETWEEN THE SCREW HEAD AND THE JUNCTION BOX. HANG THE MOUNTING PLATE [A] ON ONE OF THE SCREW HEADS USING THE SLOT IN THE FOLDED FLAP

2- MAKE CONNECTIONS:

BLACK WIRE (LINE)	=	BLACK WIRE
WHITE WIRE (NEUTRAL)	=	WHITE WIRE
GREEN WIRE (GROUND)	=	GREEN WIRE
*PURPLE WIRE (0-10V DIM +)	=	PURPLE WIRE
*PINK WIRE (0-10V DIM -)	=	PINK WIRE
<small>* ONLY FOR 0-10V DIMMING, OTHERWISE CAP WIRES</small>		

3- LIFT MOUNTING PLATE FOLLOWING THE FOLDED FLAP SLOT AND FIX IN PLACE USING THE KEYHOLE ON THE OTHER SIDE OF THE PLATE; TIGHTEN SCREWS.

4- SCREW ON THE CANOPY HOUSING TO THE MOUNTING PLATE USING THE PROVIDED M3 SREWS (X2)

(NEXT STEPS ON PAGE 2)

### INSTALLATION

1- INSÉRER LES DEUX VIS #8-32 EN LAISSANT UN ESPACE DE 1.0" ENTRE LES TÊTES DE VIS ET LA BOÎTE DE JONCTION. SUSPENDRE LA PLAQUE DE MONTAGE [A] SUR L'UNE DES VIS EN UTILISANT L'OUVERTURE DE L'AILETTE

2- FAIRE LES CONNEXIONS:

FIL NOIR (LIGNE)	=	FIL NOIR
FIL BLANC (NEUTRE)	=	FIL BLANC
FIL VERT (MISE-À-LA-TERRE)	=	FIL VERT
*FIL MAUVE (0-10V DIM +)	=	FIL MAUVE
*FIL ROSE (0-10V DIM -)	=	FIL ROSE
<small>* SEULEMENT POUR 0-10V DIMMING, SINON COUVRIR LES FILS</small>		

3- GLISSER LA PLAQUE DE MONTAGE POUR LA PLACER À L'HORIZONTAL, FIXER L'AUTRE CÔTÉ AVEC LA VIS. RESSERRER LES DEUX VIS.

4- VISSER LE BOÎTIER DU CANOPY À LA PLAQUE DE MONTAGE À L'AIDE DES DEUX VIS M3.

(SUITE À LA PAGE 2)

# PRODUCT 4803-XX ROC 4 DROP

## OPTION A - 2 REMOTE DRIVERS

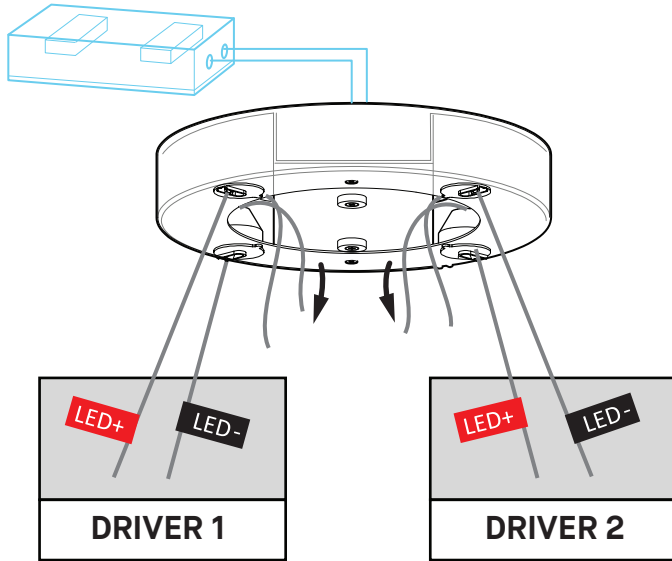
## OPTION B - 1 DRIVER IN CANOPY

5a

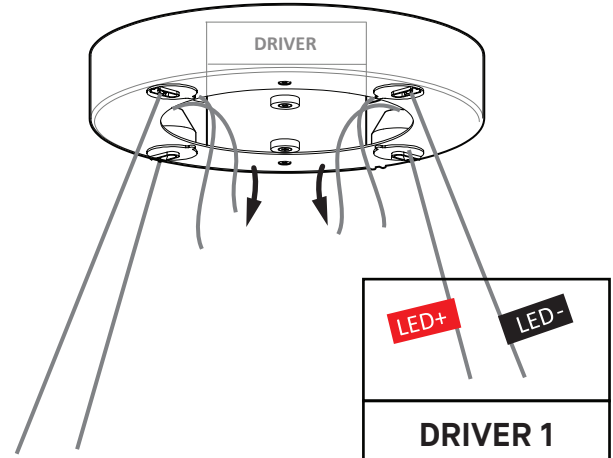
3981GC



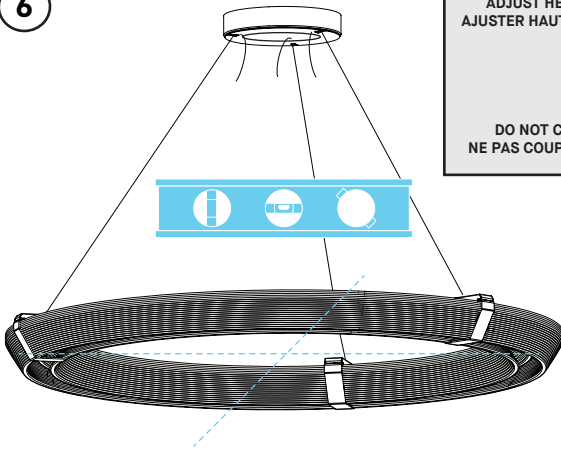
INSERT CABLES OF SAME DRIVER ON SAME SIDE IN CANOPY  
INSÉRER LES CÂBLES DU MÊME DRIVER DU MÊME CÔTÉ



5b



6



ADJUST HEIGHT FROM THE TOP  
AJUSTER HAUTEUR À PARTIR DU HAUT

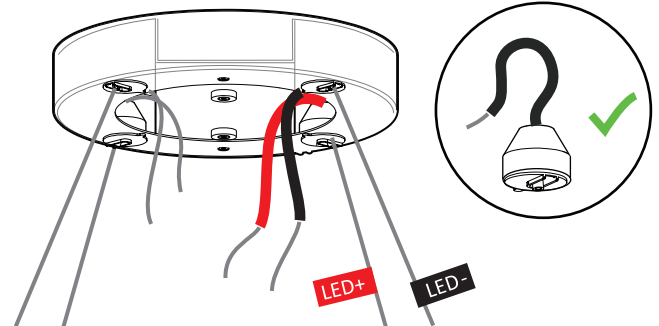


DO NOT CUT EXCESS CABLE  
NE PAS COUPER L'EXCÈS DE CÂBLE

7



PUSH SLEEVE UP TO PLASTIC HOLDER  
POUSSER MANCHON JUSQU'AU BOUT



REPEAT STEP FOR OTHER 2 CABLES IF 2 DRIVERS  
RÉPÉTER L'ÉTAPE POUR LES 2 AUTRES CÂBLES SI 2 PILOTES

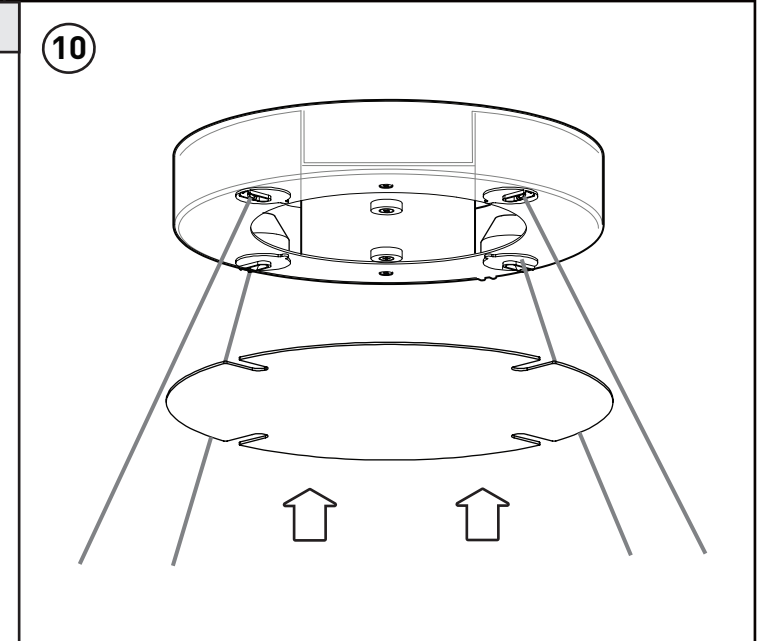
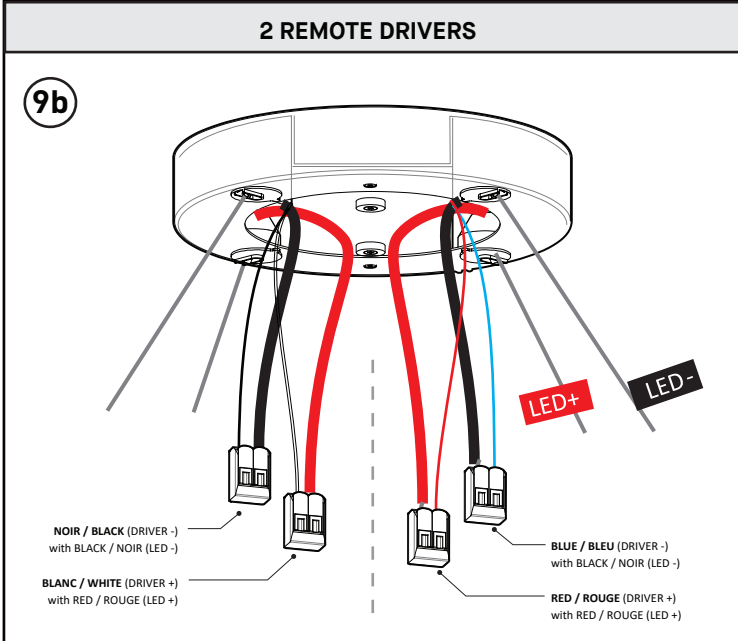
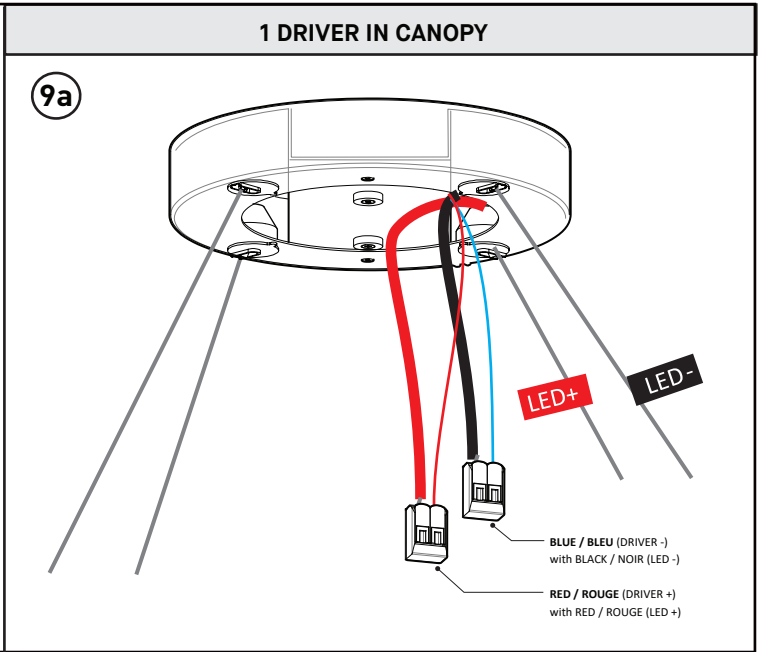
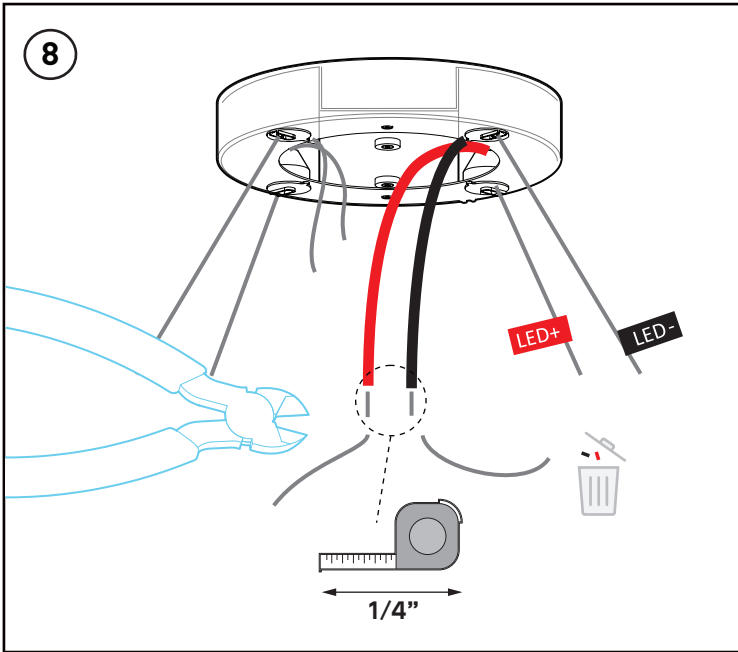
### INSTALLATION

- 5- INSERT THE AIRCRAFT CABLES IN THE BALL GRIPPERS. MAKE SURE TO CHECK THE TAGS FOR POWER CABLES AND INSERT THEM ON THE SAME SIDE IN THE CANOPY. DO NOT CUT THE CABLES
- 6- MAKE SURE THE FIXTURE IS LEVELED BY ADJUSTING THE CABLES FROM INSIDE THE CANOPY.
- 7- SLIDE THE RED SILICON SLEEVE ON THE EXCESS AIRCRAFT CABLE LABELED (+) AND THE BLACK SILICON SLEEVE ON THE AIRCRAFT CABLE LABELED (-). MAKE SURE TO PUSH THE SLEEVE ALL THE WAY UP TO THE PLASTIC HOLDER

### INSTALLATION

- 5- INSERT THE AIRCRAFT CABLES IN THE BALL GRIPPERS. MAKE SURE TO CHECK THE TAGS FOR POWER CABLES AND INSERT THEM ON THE SAME SIDE IN THE CANOPY. DO NOT CUT THE CABLES
- 6- VALIDER QUE LE LUMINAIRE SOIT AU NIVEAU.
- 7- SLIDE THE RED SILICON SLEEVE ON THE EXCESS AIRCRAFT CABLE LABELED (+) AND THE BLACK SILICON SLEEVE ON THE AIRCRAFT CABLE LABELED (-). MAKE SURE TO PUSH THE SLEEVE ALL THE WAY UP TO THE PLASTIC HOLDER

**PRODUCT 4803-XX  
ROC 4 DROP**



**INSTALLATION**

8- CUT THE EXCESS AIRCRAFT CABLES LEAVING 1/4" FROM THE SLEEVE.

9a- CONNECT THE POWERED CABLES [B] IN CANOPY HOUSING USING WAGO CONNECTORS:

BLACK WIRE (LED -) = BLACK WIRE (DRIVER -)  
RED WIRE (LED +) = WHITE WIRE (DRIVER +)

9b- CONNECT THE POWERED CABLES [B] IN CANOPY HOUSING USING WAGO CONNECTORS:

BLACK WIRE (LED -) = BLUE WIRE (DRIVER -)  
RED WIRE (LED +) = RED WIRE (DRIVER +)

10- PUT THE MAGNETIC COVER BACK ON THE CANOPY

**INSTALLATION**

8- CUT THE EXCESS AIRCRAFT CABLES LEAVING 1/4" FROM THE SLEEVE.

9- CONNECT THE POWERED CABLES [B] IN CANOPY HOUSING USING WAGO CONNECTORS:

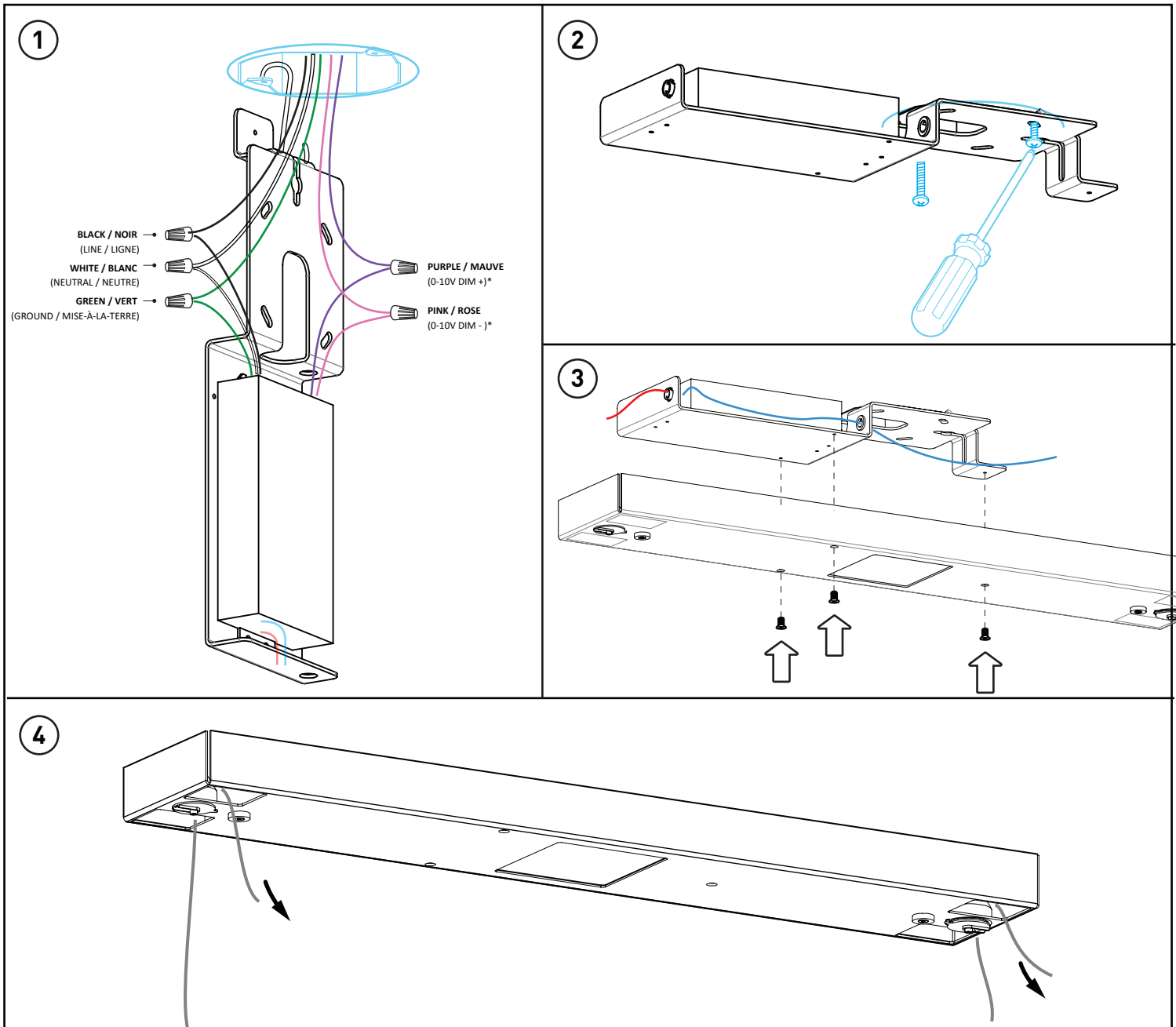
BLACK WIRE (LED -) = BLACK WIRE (DRIVER -)  
RED WIRE (LED +) = WHITE WIRE (DRIVER +)

9b- CONNECT THE POWERED CABLES [B] IN CANOPY HOUSING USING WAGO CONNECTORS:

BLACK WIRE (LED -) = BLUE WIRE (DRIVER -)  
RED WIRE (LED +) = RED WIRE (DRIVER +)

10- REMETTRE LA PLAQUE MAGNÉTIQUE SUR POUR COUVRIR LE PAVILLON

# PRODUCT 4803-XX RECT 2 DROP



## INSTALLATION

1- INSERT BOTH #8-32 SCREWS LEAVING A 1.0" DISTANCE BETWEEN THE SCREW HEAD AND THE JUNCTION BOX. HANG THE MOUNTING PLATE [A] ON THE HOOK USING THE SLOT IN THE FOLDED FLAP

### MAKE CONNECTIONS:

BLACK WIRE (LINE)	=	BLACK WIRE
WHITE WIRE (NEUTRAL)	=	WHITE WIRE
GREEN WIRE (GROUND)	=	GREEN WIRE
*PURPLE WIRE (0-10V DIM +)	=	PURPLE WIRE
*PINK WIRE (0-10V DIM -)	=	PINK WIRE
* ONLY FOR 0-10V DIMMING, OTHERWISE CAP WIRES		

2- LIFT MOUNTING PLATE FOLLOWING THE FOLDED FLAP SLOT AND FIX IN PLACE USING THE KEYHOLE ON THE OTHER SIDE OF THE PLATE; TIGHTEN SCREWS.

3- SCREW ON THE CANOPY HOUSING TO THE MOUNTING PLATE USING THE PROVIDED M3 SREWS (X2)

4- INSERT THE AIRCRAFT CABLES AND PULL EXCESS OUT THE OPENING

## INSTALLATION

1- INSÉRER LES DEUX VIS #8-32 EN LAISSANT UN ESPACE DE 1.0" ENTRE LES TÊTES DE VIS ET LA BOÎTE DE JONCTION. SUSPENDRE LA PLAQUE DE MONTAGE [A] SUR LE CROCHET EN UTILISANT L'OUVERTURE DE L'AILETTE

### FAIRE LES CONNECTIONS:

FIL NOIR (LIGNE)	=	FIL NOIR
FIL BLANC (NEUTRE)	=	FIL BLANC
FIL VERT (MISE-À-LA-TERRE)	=	FIL VERT
*FIL MAUVE (0-10V DIM +)	=	FIL MAUVE
*FIL ROSE (0-10V DIM -)	=	FIL ROSE
* SEULEMENT POUR 0-10V DIMMING, SINON COUVRIR LES FILS		

2- GLISSER LA PLAQUE DE MONTAGE POUR LA PLACER À L'HORIZONTAL, FIXER L'AUTRE CÔTÉ AVEC LA VIS. RESSERRER LES DEUX VIS.

3- VISSER LE BÔITIER DU CANOPY À LA PLAQUE DE MONTAGE À L'AIDE DES DEUX VIS M3.

4- PASSER LES CÂBLES ET FAIRE SORTIR L'EXCÈS PAR L'OUVERTURE

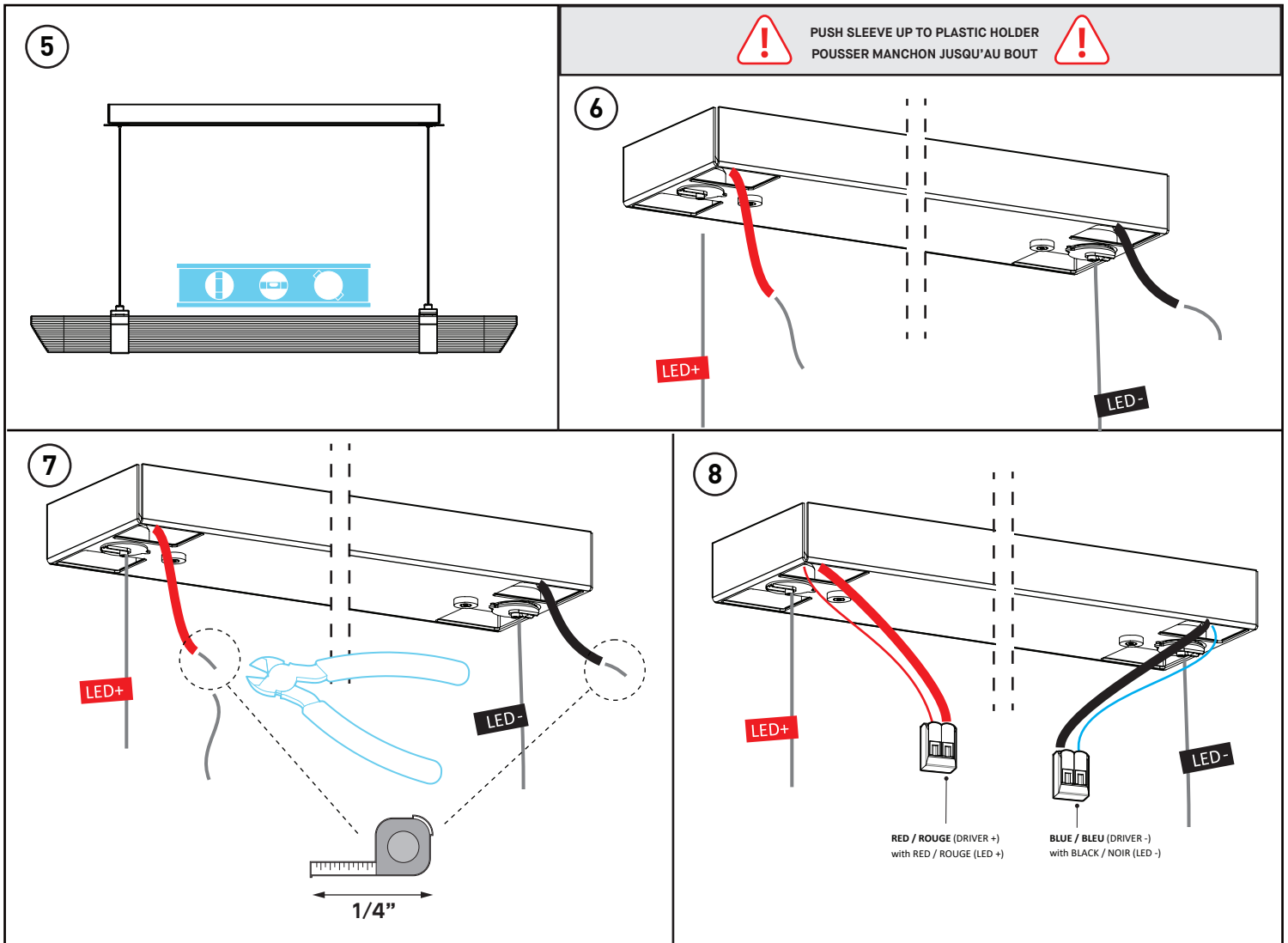


(NEXT STEPS ON PAGE 2)

INSTALLATION

(SUITE À LA PAGE 2)

**PRODUCT 4803-XX  
RECT 2 DROP**



**INSTALLATION**

- 5- MAKE SURE THE FIXTURE IS LEVELED BY ADJUSTING THE CABLES FROM INSIDE THE CANOPY.
  - 6- SLIDE THE RED SILICON SLEEVE ON THE EXCESS AIRCRAFT CABLE LABELED (+) AND THE BLACK SILICON SLEEVE ON THE AIRCRAFT CABLE LABELED (-). MAKE SURE TO PUSH THE SLEEVE ALL THE WAY UP TO THE PLASTIC HOLDER
  - 7- CUT THE EXCESS AIRCRAFT CABLES LEAVING 1/4" FROM THE SLEEVE.
  - 8- CONNECT THE POWERED CABLES [B] IN CANOPY HOUSING USING WAGO CONNECTORS:
- |                    |   |                       |
|--------------------|---|-----------------------|
| BLACK WIRE (LED -) | = | BLACK WIRE (DRIVER -) |
| RED WIRE (LED +)   | = | RED WIRE (DRIVER +)   |
- 9- PUT THE MAGNETIC COVER BACK ON THE CANOPY

**INSTALLATION**

- 5- VALIDER QUE LE LUMINAIRE SOIT AU NIVEAU.
  - 6- SLIDE THE RED SILICON SLEEVE ON THE EXCESS AIRCRAFT CABLE LABELED (+) AND THE BLACK SILICON SLEEVE ON THE AIRCRAFT CABLE LABELED (-). MAKE SURE TO PUSH THE SLEEVE ALL THE WAY UP TO THE PLASTIC HOLDER
  - 7- CUT THE EXCESS AIRCRAFT CABLES LEAVING 1/4" FROM THE SLEEVE.
  - 8- CONNECT THE POWERED CABLES [B] IN CANOPY HOUSING USING WAGO CONNECTORS:
- |                    |   |                       |
|--------------------|---|-----------------------|
| BLACK WIRE (LED -) | = | BLACK WIRE (DRIVER -) |
| RED WIRE (LED +)   | = | RED WIRE (DRIVER +)   |
- 9- REMETTRE LA PLAQUE MAGNÉTIQUE SUR POUR COUVRIR LE PAVILLON

# 3981GC

## REMOTE DRIVER BOX/BOÎTE PILOTES À DISTANCE

### SAFETY GUIDELINES :

- > Follow safety instructions and guidelines of remote driver box/driver manufacturer for the specific model.
- > Install by qualified personnel in accordance with the National Electrical Code and local regulations.
- > Turn off power supply before installation or servicing the fixture.

### LOCATION :

- > This remote driver box connects to a luminaire ordered with an RMP option (which has specific wiring).The drivers are shipped with the luminaire and are to be install on site into the remote driver box.
- > Consult our chart below for maximum remote distance of driver box to luminaire leds.
- > Establish desired location for remote driver box & electric switch.

### CONSIGNES DE SÉCURITÉ :

- > Suivez les consignes de sécurité et les directives du fabricant de la boîte de commande à distance/de la commande pour le modèle spécifique.
- > L'installation doit être effectuée par du personnel qualifié, conformément au Code national de l'électricité et aux réglementations locales.
- > Couper l'alimentation électrique avant l'installation ou l'entretien de l'appareil.

### EMPLACEMENT :

- > Cette boîte de pilotes à distance se connecte à un luminaire commandé avec l'option RMP (qui a du filage spécifique). Les pilotes sont livrés avec le luminaire et se fixent dans la boîte à distance.
- > Consulter le tableau ci-bas pour connaître la distance maximale de la boîte de pilotes aux DELs du luminaire.
- > Déterminer l'emplacement souhaité pour la boîte de pilotes et l'interrupteur.

### MAX. REMOTE DRIVER INSTALLATION DISTANCE (Ft) / DISTANCE MAX. D'INSTALLATION DE PILOTES (Pi)

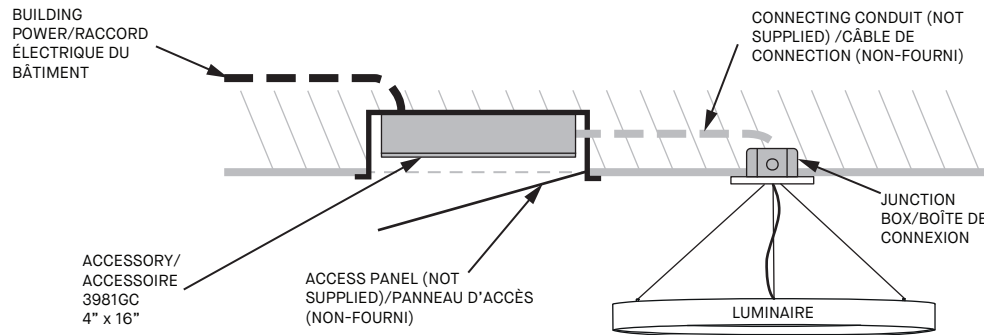
CONFIGURATION ALL SIZES	MAX. OUTPUT CURRENT OF DC FIXTURE WIRE (Amp) / COURANT MAX. D'ALIMENTATION DC DU LUMINAIRE (Amp)	CONDUIT WIRE GAUGE (AWG) / GAUGE DE FILS DU CONDUIT (AWG)						
		10	12	14	16	18	20	22
24" REG	475mA	438'	273'	173'	108'	69'	42'	26'
36" REG	700mA	298'	186'	118'	74'	47'	29'	18'
24" HO	925mA	225'	140'	89'	56'	35'	22'	14'
24" REG	475mA	219'	136'	87'	54'	34'	22'	13'
48" REG	960mA	217'	135'	86'	54'	34'	21'	13'
60" REG 120" REG	1200mA	172'	107'	68'	42'	26'	17'	10'
72" REG 36" HO	1400mA	149'	93'	59'	37'	23'	15'	9'
90" REG	1800mA	115'	72'	45'	28'	17'	11'	6'
48" HO	1850mA	112'	70'	44'	28'	17'	10'	6'
90" HO	1920mA	108'	67'	42'	27'	16'	10'	6'
<b>60" HO</b>	<b>2325mA</b>	<b>89'</b>	<b>55'</b>	<b>35'</b>	<b>22'</b>	<b>13'</b>	<b>8'</b>	<b>5'</b>
120" REG	1200mA	86'	53'	34'	21'	13'	8'	4'
120" HO	2400mA	74'	46'	29'	18'	11'	7'	4'

# 3981GC

## REMOTE DRIVER BOX/BOÎTE PILOTES À DISTANCE

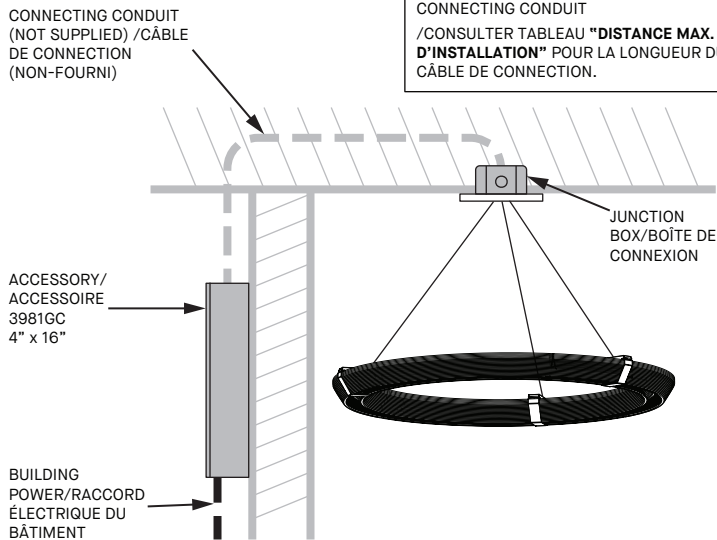
### REMOTE BOX PLACEMENT EXAMPLES/EXEMPLES D'EMPLACEMENT DE LA BOÎTE À DISTANCE :

#### IN RECESSED ACCESS PANEL/DANS UN PANNEAU D'ACCÈS EN RETRAIT



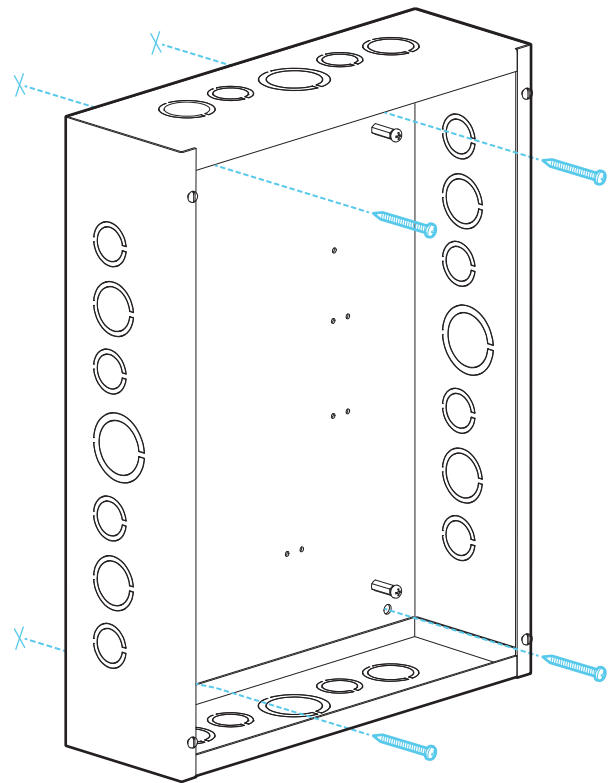
**!! IMPORTANT !!**  
 CONSULT "MAX. INSTALLATION DISTANCE" CHART FOR LENGTH OF CONNECTING CONDUIT /CONSULTER TABLEAU "DISTANCE MAX. D'INSTALLATION" POUR LA LONGUEUR DU CÂBLE DE CONNECTION.

#### IN A SEPARATE ROOM/DANS UNE SALLE SÉPARÉE

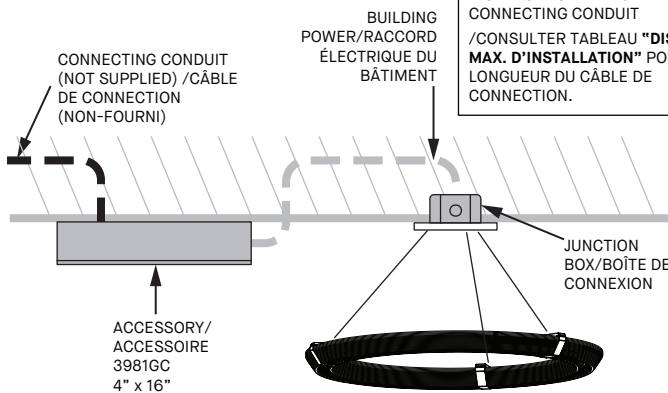


**!! IMPORTANT !!**  
 CONSULT "MAX. INSTALLATION DISTANCE" CHART FOR LENGTH OF CONNECTING CONDUIT /CONSULTER TABLEAU "DISTANCE MAX. D'INSTALLATION" POUR LA LONGUEUR DU CÂBLE DE CONNECTION.

1



#### ON SURFACE/EN SURFACE



**!! IMPORTANT !!**  
 CONSULT "MAX. INSTALLATION DISTANCE" CHART FOR LENGTH OF CONNECTING CONDUIT /CONSULTER TABLEAU "DISTANCE MAX. D'INSTALLATION" POUR LA LONGUEUR DU CÂBLE DE CONNECTION.

### INSTALLATION

1- IDENTIFY THE DESIRED PLACEMENT OF THE REMOTE DRIVER BOX AND INSTALL IT TO THE CEILING OR WALL WITH APPROPRIATE SCREWS. [NOT SUPPLIED]

### INSTALLATION

1- IDENTIFIER L'EMPLACEMENT DÉSIRÉ DE LA BOÎTE PILOTES À DISTANCE ET INSTALLER LA BOÎTE SUR LE MUR OU LE PLAFOND À L'AIDE DE VIS APPROPRIÉS. [NON FOURNIS]

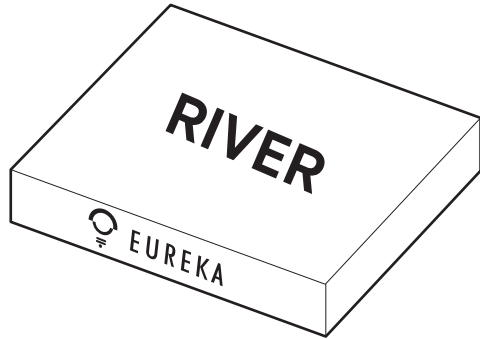


INSTALLATION

# 3981GC

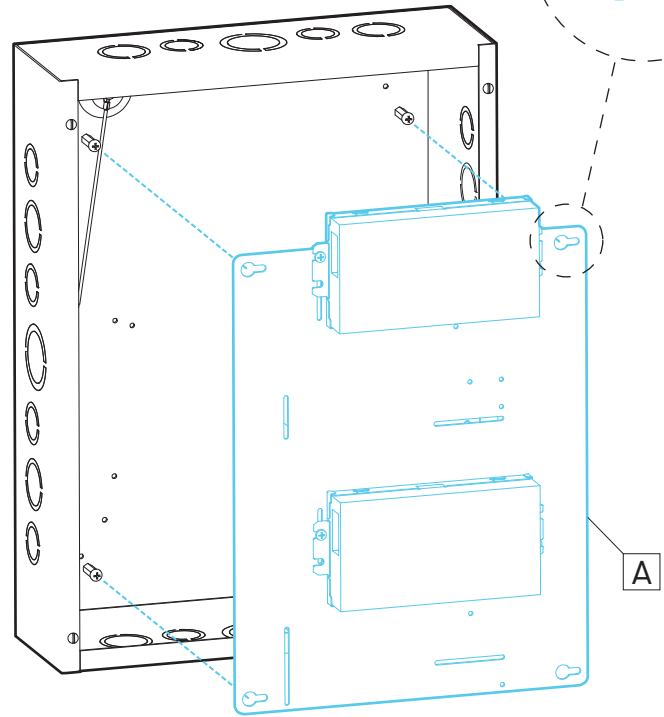
## REMOTE DRIVER BOX/BOÎTE PILOTES À DISTANCE

### RECEPTION OF THE LIGHT FIXTURE AND DRIVERS/ RÉCEPTIONS DU LUMINAIRE ET DES PILOTES

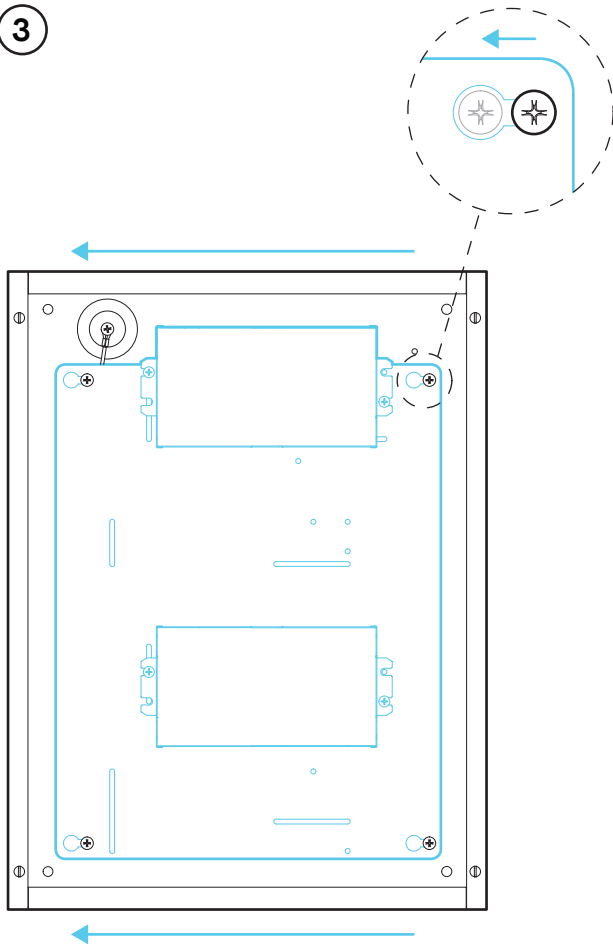


2.1

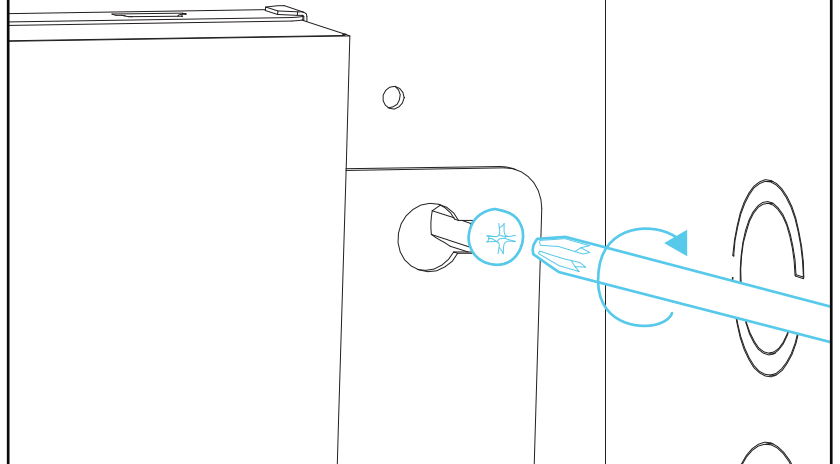
2.2



3



4



### INSTALLATION

2.1 - FIND THE DRIVERS PLATE AND INSTALL IT IN THE REMOTE BOX.

2.2 - ALIGN THE KEYHOLES AND INSERT DRIVER PLATE [A] INTO THE SPACERS ON THE REMOTE BOX.

3- SLIDE THE DRIVER PLATE TO THE LEFT SO THAT THE DRIVER PLATE HANGS ON THE SCREWS FROM THE SPACERS.

3- TIGHTEN THE SCREWS FROM THE SPACERS IN ORDER TO SECURE THE DRIVER PLATE IN PLACE.

### INSTALLATION

2.1 - TROUVER LA PLAQUE DE PILOTES ET INSTALLER LA DANS LA BOÎTE À DISTANCE.

2.2 - ALIGNER LES TROUS ET INSÉRER LA PLAQUE DE PILOTE [A] DANS LES ESPACEURS DE LA BOÎTE À DISTANCE.

2- FAIRE GLISSER LA PLAQUE DE PILOTE VERS LA GAUCHE AFIN QU'ELLE PUISSE ÊTRE ACCROCHÉE AUX VIS DES ESPACEURS.

3- SERRER LES VIS DES ESPACEURS POUR VERROUILLER LA PLAQUE DE PILOTE EN PLACE.