

# TWIN 1208

QUICKSHIP

PROJECT PROJET

SPEC TYPE

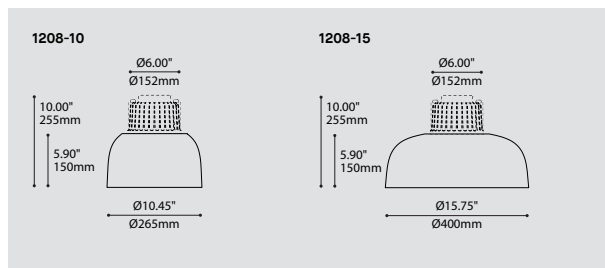
NOTES



FINISH FINI



BLKE WHE



## ORDERING SPECIFICATION SPÉCIFICATION DE COMMANDE

CODE

### QUICKSHIP

QS5 QUICKSHIP 5 DAYS - MAXIMUM 5 UNITS QUICKSHIP 5 JOURS - MAXIMUM 5 UNITÉS  
 QS10 QUICKSHIP 10 DAYS - MAXIMUM 20 UNITS QUICKSHIP 10 JOURS - MAXIMUM 20 UNITÉS

### MODEL MODÈLE

1208-10 TWIN 10"  
 1208-15 TWIN 15"  
 1208-10-DD\* TWIN 10" (DUAL DIMMING)  
 1208-15-DD\* TWIN 15" (DUAL DIMMING)

\* INNER AND OUTER LIGHT SOURCES ARE DIMMED INDEPENDENTLY

### LIGHT SOURCE SOURCE LUMINEUSE

LED REGULAR OUTPUT

LED

### COLOR TEMPERATURE TEMPÉRATURE DE COULEUR

30 3000K  
 35 3500K  
 40 4000K

### COLOR RENDERING INDEX (CRI) INDICE DE RENDU DE COULEUR (IRC)

80 80+ CRI

80

### VOLTAGE VOLTAGE

120V 120 VOLT  
 277V 277 VOLT

### DIMMING OPTION OPTION DE GRADATION

DV 0-10V DIMMING (120V-277V)  
 DP PHASE DIMMING (120V ONLY)

LED DIMMING DRIVER IS STANDARD IN THIS PRODUCT, PLEASE SPECIFY YOUR DIMMING TYPE.

### BEAM ANGLE ANGLE DE FAISCEAU

40 40° LENS

40

### SHADE FINISH FINI ABAT-JOUR (A)

BLKE BLACK FINE TEXTURE  
 WHE WHITE FINE TEXTURE

(A) FINISH BETWEEN SHADES IS ALWAYS WHITE

## PRODUCT CHARACTERISTICS CARACTÉRISTIQUES DU PRODUIT



### DESIGN:

Twin is a light fixture with a simple and charming shape composed of a double layered shade sheltering a soft halo of indirect light. The core of these two shades hides a powerful projector providing a strong direct light. Twin is available in two sizes and in a variety of colorful finishes.

### INSTALLATION:

Recessed mounting system allows for simple and secure installation in a variety of ceiling types from 0.375" (9.5mm) to 2.75" (70mm) thick, accommodating renovation projects.

### LIGHT SOURCE:

Powerful LED projector with a 20° or 40° projection angle, and a circular LED module that projects a soft and cozy indirect light, diffused between the shades. Offered with phase or 0-10V gradation options.

### CONSTRUCTION:

High-performance die-cast aluminum heatsink with textured black finish. Spun aluminum shades, offered in a wide variety of external finishes with a white internal finish for optimal light reflection.

### CERTIFIED:

c-CSA-us

**VERSATILE**

Fixture is available in many configurations, allowing it to be installed recessed in the ceiling, surface to it, or even suspended.

**EFFICIENTLY DESIGNED**

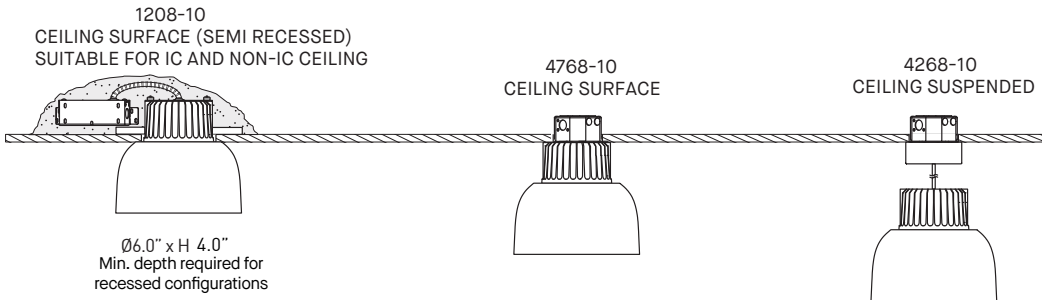
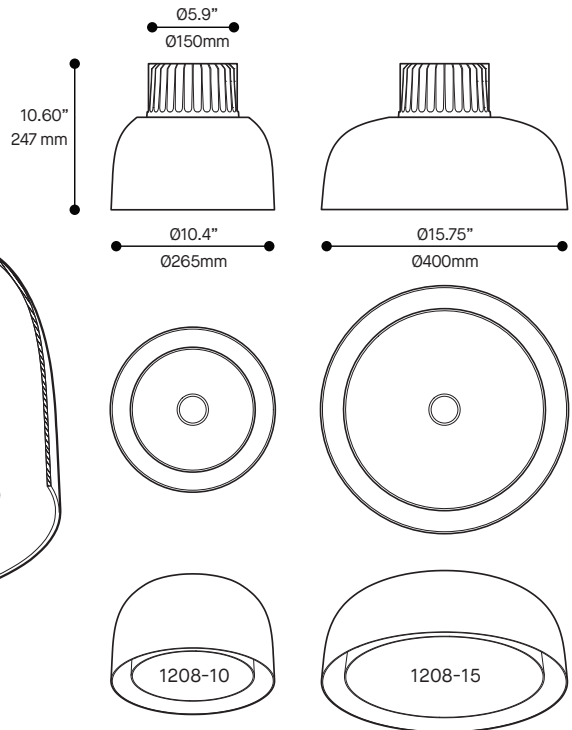
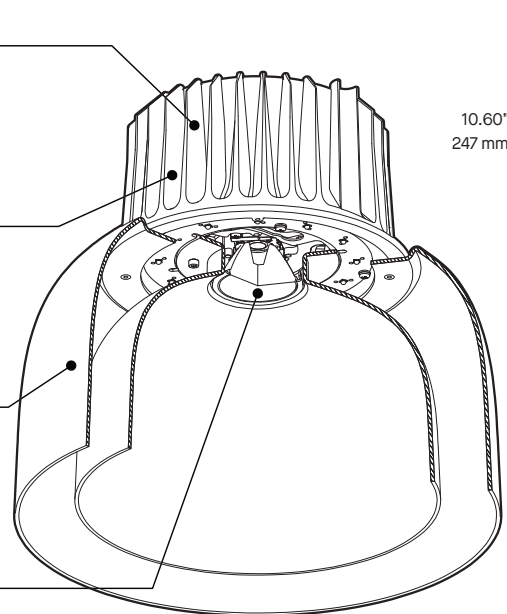
Custom designed heatsink to diffuse the heat produced by the two powerful light sources in the most efficient way.

**LAYERED SHADES**

The two spun aluminium shades hides the light sources while encapsulating a soft layer of beautiful indirect light.

**PRECISION**

The COB offers a functional light precisely controlled by the polycarbonate TIR lens.



**PRODUCT SPECIFICATION**

**1208/4268/4768-10**  
COB - BOARD

**1208/4268/4768-15**  
COB - BOARD

**PERFORMANCE**

<b>SYSTEM WATTAGE</b>	20 W		20 W	
<b>DELIVERED LUMENS (4000K)</b>	978 LM	212 LM	1046 LM	136 LM
<b>EFFICACY</b>	118 LM/W	18 LM/W	125 LM/W	12 LM/W

**OTHER INFORMATIONS**

<b>LUMINAIRE'S WEIGHT</b>	8,27LBS / 3,76KG		9,75LBS / 4,43KG	
<b>L70 (LUMEN MAINTENANCE)</b>	> 55 000HRS	> 60 000 HRS	> 55 000 HRS	> 60 000 HRS

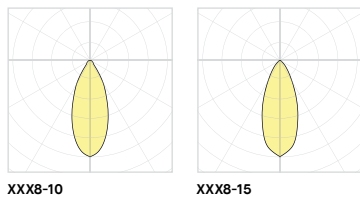
**WELL & LEED STANDARD REQUIREMENTS**

<b>MAX. LUMINANCE 45°-90° OF NADIR</b>	748 CD/M <sup>2</sup>		527 CD/M <sup>2</sup>	
<b>LIGHT QUALITY</b>	R9 > 50 (90 CRI OPTION)			
<b>FLICKERING TOLERANCE</b>	LOW FLICKER, COMPLIANT TO CALIFORNIA TITLE 24			

**EFFICACY MULTIPLIERS**

CRI	CCT	FACTOR
80+	4000K	1.00
80+	3500K	0.99
80+	3000K	0.97
80+	2700K	0.94
90+	4000K	0.89
90+	3500K	0.86
90+	3000K	0.84
90+	2700K	0.80

**LIGHT DISTRIBUTION**



Visit our website for warranty terms and conditions.

**VERSATILE**

Le luminaire est disponible en diverses configurations, permettant une installation encastrée au plafond, à sa surface ou en suspension.

**CONCEPTION EFFICACE**

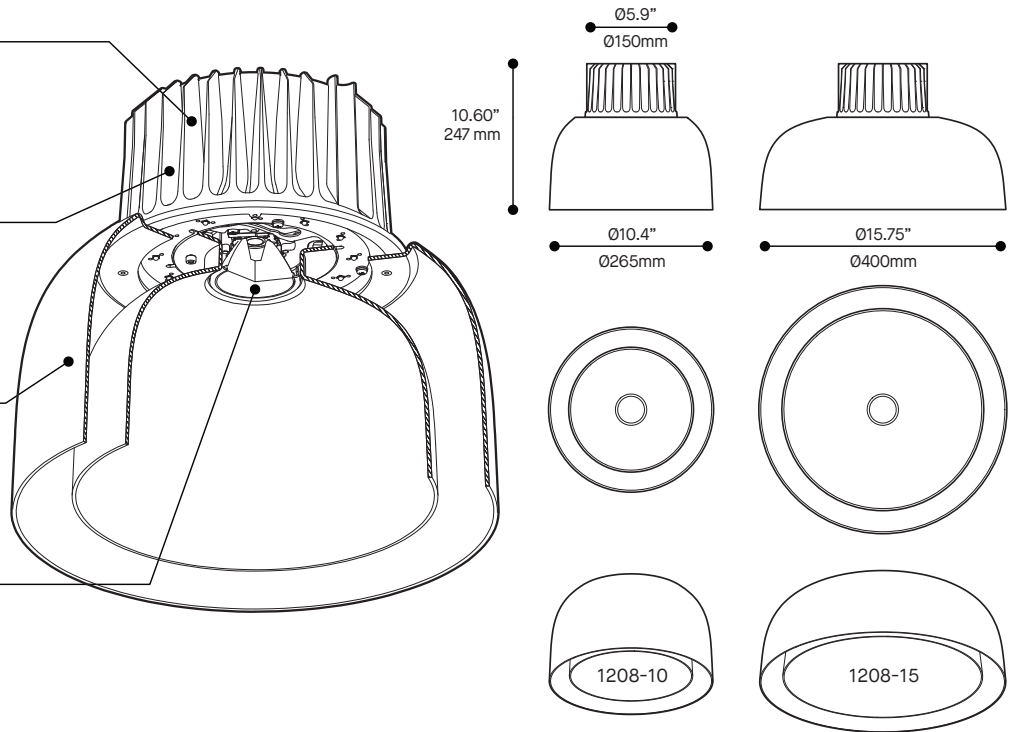
Dissipateur thermique fait sur mesure afin de dissiper la chaleur issue des deux puissantes sources lumineuses de la manière la plus efficace possible.

**ABATS-JOUR SUPERPOSÉS**

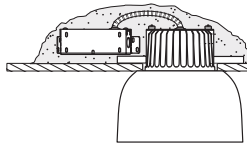
Les deux abats-jours en aluminium dissimulent les sources lumineuses tout en enrobant une douce couche de lumière indirecte.

**PRÉCISION**

La source lumineuse type COB offre une lumière fonctionnelle contrôlée avec précision par la lentille TIR de polycarbonate.

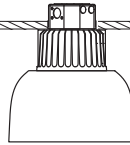


1208-10  
SURFACE PLAFOND (SEMI ENCASTRÉE)  
ADAPTÉ AU PLAFOND ISOLÉ ET NON ISOLÉ

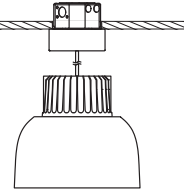


Ø6.0" x H4.0"  
Profondeur min. requise pour les configurations encastrées

4768-10  
PLAFONNIER



4268-10  
SUSPENSION



**SPÉCIFICATION PRODUIT**

1208/4268/4768-10  
COB - BOARD

1208/4268/4768-15  
COB - BOARD

**PERFORMANCE**

PUISSANCE SYSTÈME	20 W	20 W	20 W	20 W
LUMENS RÉELS (4000K)	978 LM	212 LM	1046 LM	136 LM
EFFICACITÉ	118 LM/W	18 LM/W	125 LM/W	12 LM/W

**AUTRES INFORMATIONS**

POIDS DU LUMINAIRE	8,27LBS / 3,76KG		9,75LBS / 4,43KG	
L70 (MAINTENANCE DE LA LUMIÈRE)	> 55 000 H	> 60 000 H	> 55 000 H	> 60 000 H

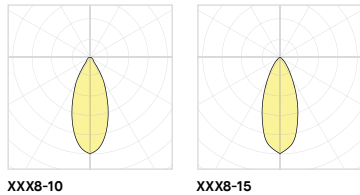
**CRITÈRES DE CERTIFICATION WELL & LEED**

MAX. LUMINANCE 45°-90° NADIR	748 CD/M <sup>2</sup>	527 CD/M <sup>2</sup>
QUALITÉ DE LA LUMIÈRE	R9 > 50 (OPTION 90 IRC)	
TOLÉRANCE DE CLIGNOTEMENTS	PEU DE CLIGNOTEMENT (CONFORME À CALIFORNIA TITLE 24)	

**FACTEUR D'EFFICACITÉ**

IRC	CCT	FACTEUR
80+	4000K	1.00
80+	3500K	0.99
80+	3000K	0.97
80+	2700K	0.94
90+	4000K	0.89
90+	3500K	0.86
90+	3000K	0.84
90+	2700K	0.80

**DISTRIBUTION LUMINEUSE**



Visitez notre site Web pour les termes et conditions.