

APERTURE 4256

QUICKSHIP

PROJECT PROJET

SPEC TYPE

NOTES



FINISH FINI



WHM



ANTE

FAMILY FAMILLE



4256-12

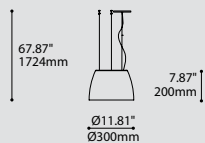


4256-24

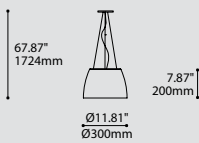


4256-36

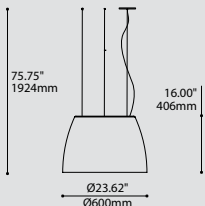
4256-12



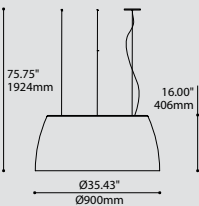
4256-12-RCA



4256-24



4256-36



ORDERING SPECIFICATION SPÉCIFICATION DE COMMANDE

CODE

QUICKSHIP

QS5 QUICKSHIP 5 DAYS - MAXIMUM 5 UNITS QUICKSHIP 5 JOURS - MAXIMUM 5 UNITÉS
QS10 QUICKSHIP 10 DAYS - MAXIMUM 20 UNITS QUICKSHIP 10 JOURS - MAXIMUM 20 UNITÉS

MODEL MODÈLE

4256-12 APERTURE 12"
4256-24 APERTURE 24"
4256-36 APERTURE 36"

LIGHT SOURCE SOURCE LUMINEUSE

LED

LED* REGULAR OUTPUT

*3983 ACCESSORY IS PROVIDED ONLY FOR 4256-12

COLOR TEMPERATURE TEMPÉRATURE DE COULEUR

30 3000K
35 3500K
40 4000K

COLOR RENDERING INDEX (CRI) INDICE DE RENDU DE COULEUR (IRC)

80

80 80+ CRI

VOLTAGE VOLTAGE

120V 120 VOLT
277V 277 VOLT

DIMMING OPTION OPTION DE GRADATION

DV 0-10V DIMMING (120V-277V)
DP PHASE DIMMING (120V ONLY)

LED DIMMING DRIVER IS STANDARD IN THIS PRODUCT. PLEASE SPECIFY YOUR DIMMING TYPE

CABLE CÂBLE

AC

AC AIRCRAFT MOUNTING & CLEAR CABLE, FIELD ADJUSTABLE

CABLE LENGTH LONGUEUR DE CÂBLE

60 60" AIRCRAFT CABLE (STD LENGTH)
** CUSTOM AIRCRAFT CABLE LENGTH (PLEASE SPECIFY)
FOR OVERALL LENGTH, PLEASE CONTACT YOUR EUREKA REPRESENTATIVE

MOUNTING CABLE OPTION OPTION DE MONTAGE DE CÂBLE

RCA* CENTERED ROUND CANOPY - AIRCRAFT CABLES ANGLED TO CENTER
FOR 4256-12 ONLY
IF NO OPTION IS SELECTED, A ROUND CANOPY WITH STRAIGHT AIRCRAFT CABLES WILL BE PROVIDED

CANOPY FINISH FINI PAVILLON

WHM

WHM MATTE WHITE

EXTERIOR SHADE FINISH FINI ABAT-JOUR EXTÉRIEUR

WHM MATTE WHITE
ANTE ANTHRACITE FINE TEXTURE

INTERIOR SHADE FINISH FINI ABAT-JOUR INTÉRIEUR

WHM

WHM MATTE WHITE

ACCESSORY ACCESSOIRE

3983 DEEP JUNCTION BOX (PROVIDED FOR 4256-12 AS PER ABOVE)

PRODUCT CHARACTERISTICS CARACTÉRISTIQUES DU PRODUIT

BIM DIM EMB IES LED

DESIGN:

Hidden inside of an elegant form is a beautiful soft glow of LED illumination that encircles a surprising hollow core. Aperture is available in three formats, small, large and extra-large.

INSTALLATION:

Easy to install, adjust and level triple aircraft cable mounting.

LIGHT SOURCE:

Aperture features a custom LED light engine that is available with a standard dimming driver.

EXTERIOR FINISH:

White or Anthracite matte polyester powder coating.

INTERIOR FINISH:

Highly reflective matte white polyester powder coating.

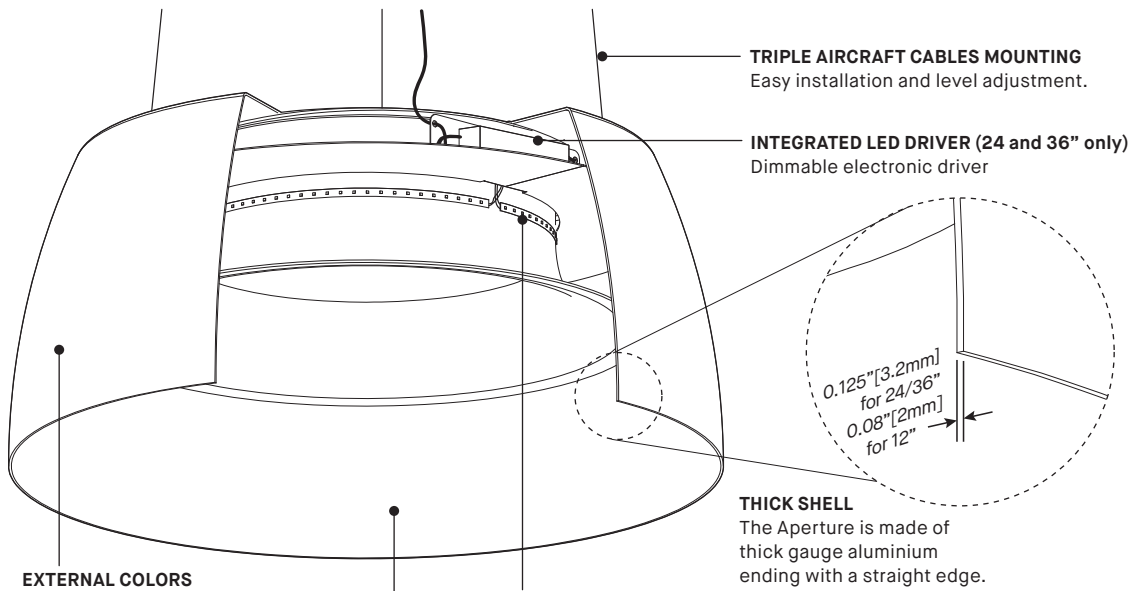
CERTIFIED:

c-CSA-us



SPECIFICATION

APERTURE 4256-XX



reddot award 2015
winner



reddot 21
world of design

PIA'14
PRODUCT INNOVATION AWARDS
Architectural
PRODUCTS

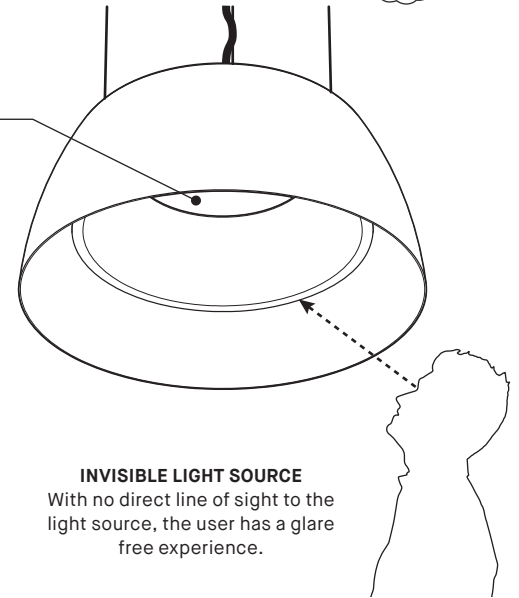
RECOGNIZED WINNER



NGL 2014

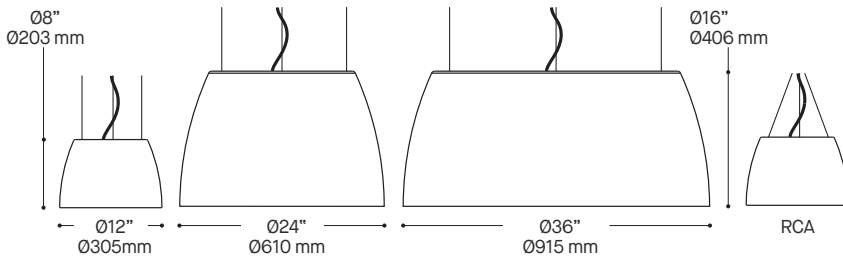


SEE-THROUGH
LED strips encircle a surprisingly hollow core.



VERSATILITY

Available in three different diameters, all versions feature the same shape making it a complete family. Aperture Ø12" (4256-12) is also available with aircraft cables angled to center (RCA option shown below).



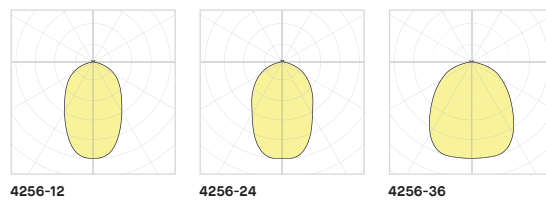
PRODUCT SPECIFICATION

	4256-12	4256-24	4256-36
PERFORMANCE			
SYSTEM WATTAGE	16.2W	32.4W	47.9W
DELIVERED LUMENS (4000K)	662LM	1538LM	2930LM
EFFICACY	40.8LM/W	47.5LM/W	61.2LM/W
OTHER INFORMATION			
LUMINAIRE'S WEIGHT	4 LBS (1.8KG)	14 LBS (6KG)	35 LBS (15.5KG)

EFFICACY MULTIPLIERS

CRI	CCT	FACTOR
80+	4000K	1.00
80+	3500K	0.97
80+	3000K	0.94
80+	2700K	0.92
90+	4000K	0.86
90+	3500K	0.86
90+	3000K	0.86
90+	2700K	0.80

LIGHT DISTRIBUTION

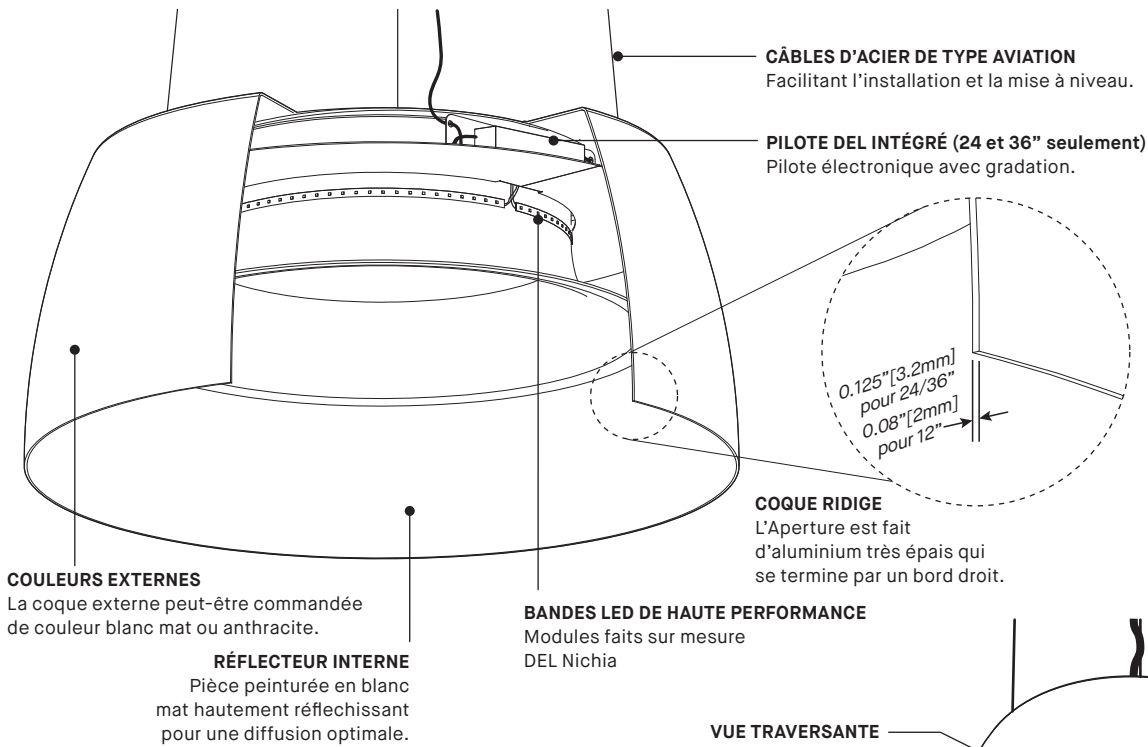


Visit our website for warranty terms and conditions.



TECHNICAL DATA

APERTURE 4256-XX



reddot award 2015 winner



reddot 21 world of design

PIA'14
PRODUCT INNOVATION AWARDS
Architectural PRODUCTS

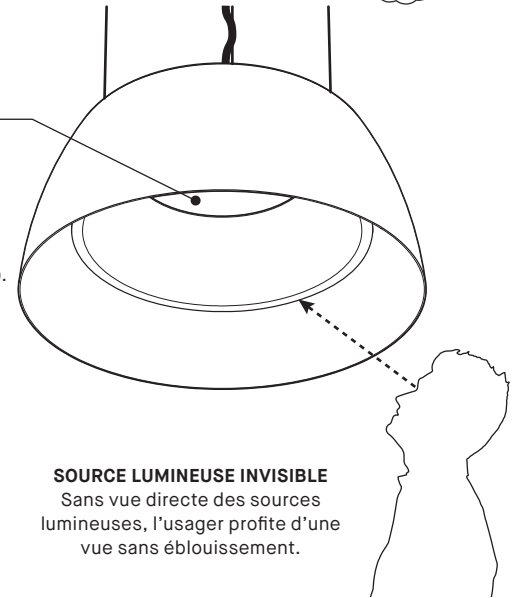
RECOGNIZED WINNER



NGL 2014

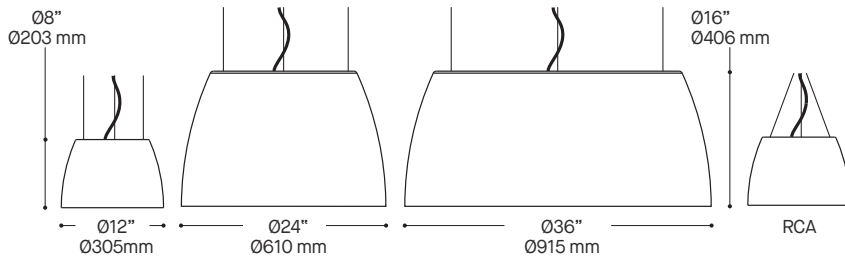


VUE TRAVERSANTE
Les DEL encerclent un réflecteur central évidé.



POLYVALENCE

Aperture est disponible en trois diamètres de même forme, pour un agencement complet.
Aperture Ø12" (4256-12) est aussi offert avec les câbles d'acier en angle au centre (option RCA illustré ci-bas).



SPÉCIFICATION PRODUIT

4256-12

4256-24

4256-36

PERFORMANCE

PUISSANCE TOTALE	16.2W	32.4W	47.9W
LUMENS RÉELS (4000K)	662LM	1538LM	2930LM
EFFICACITÉ	40.8LM/W	47.5LM/W	61.2LM/W

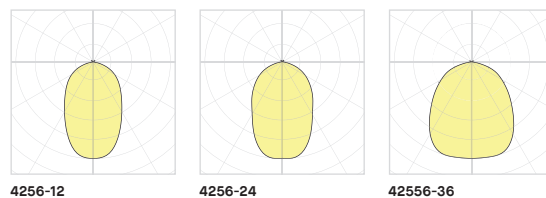
AUTRES INFORMATION

POIDS DU LUMINAIRE	4 LBS (1.8KG)	14 LBS (6KG)	35 LBS (15.5KG)
--------------------	---------------	--------------	-----------------

FACTEUR D'EFFICACITÉ

IRC	CCT	FACTEUR
80+	4000K	1.00
80+	3500K	0.97
80+	3000K	0.94
80+	2700K	0.92
90+	4000K	0.86
90+	3500K	0.86
90+	3000K	0.86
90+	2700K	0.80

DISTRIBUTION LUMINEUSE



Visitez notre site Web pour les termes et conditions.



DONNÉES TECHNIQUES