

# MUTE 4258-16

QUICKSHIP

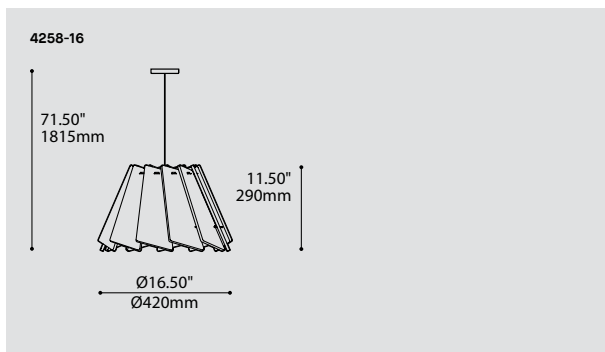
PROJECT PROJET

SPEC TYPE

NOTES



## FELT FINISH FINI FEUTRE



## ORDERING SPECIFICATION SPÉCIFICATION DE COMMANDE

CODE

### QUICKSHIP

QS5 QUICKSHIP 5 DAYS - MAXIMUM 5 UNITS QUICKSHIP 5 JOURS - MAXIMUM 5 UNITÉS  
 QS10 QUICKSHIP 10 DAYS - MAXIMUM 20 UNITS QUICKSHIP 10 JOURS - MAXIMUM 20 UNITÉS

MODEL MODÈLE 4258-16

4258-16 MUTE 16"

LIGHT SOURCE SOURCE LUMINEUSE LED

LED REGULAR OUTPUT

COLOR TEMPERATURE TEMPÉRATURE DE COULEUR

30 3000K

35 3500K

COLOR RENDERING INDEX (CRI) INDICE DE RENDU DE COULEUR (IRC) 80

80 80+ CRI

VOLTAGE VOLTAGE

120V 120 VOLT

277V 277 VOLT

CONTROL OPTION OPTION DE CONTRÔLE

DV 0-10V DIMMING (120V-277V)

DP PHASE DIMMING (120V ONLY)

LED DIMMING DRIVER IS STANDARD IN THIS PRODUCT. PLEASE SPECIFY YOUR DIMMING TYPE

CABLE CÂBLE

C CLEAR CABLE, FIELD ADJUSTABLE C

MOUNTING MONTAGE

RC2\* ROUND CANOPY/PAVILLON ROND

RC2\* SCREWLESS 0.5" CANOPY (2471C)

\*3983 ACCESSORY PROVIDED FOR 2471C CANOPY

CABLE LENGTH LONGUEUR DE CÂBLE

60 60" CABLE (STD LENGTH)

\*\* CUSTOM CABLE LENGTH (PLEASE SPECIFY)

FOR OVERALL LENGTH, PLEASE CONTACT YOUR EUREKA REPRESENTATIVE

CANOPY FINISH FINI PAVILLON

BLKE BLACK FINE TEXTURE

WHE WHITE FINE TEXTURE

SHADE FINISH FINI ABAT-JOUR

ABF AZURE BLUE FELT BYF BANANA YELLOW FELT REF RED FELT

AWF ARCTIC WHITE FELT CHF CHARCOAL FELT SGF SILVER GRAY FELT

BBF BASIC BLACK FELT NBF NAVY BLUE FELT TGF TITANIUM GRAY FELT

BOF BLOOD ORANGE FELT OBF OCEAN BLUE FELT ZFF ZINFANDEL FELT

BTF BATTLESHIP GRAY FELT PGF PEAR GREEN FELT

ACRYLIC FINISH FINI ACRYLIQUE

WH WHITE FINE TEXTURE WH

ACCESSORY ACCESSOIRE

3983\* DEEP JUNCTION BOX (PROVIDED FOR 2471C CANOPY)

\*JUNCTION BOX IS AVAILABLE FOR ADVANCE SHIPPING

## PRODUCT CHARACTERISTICS CARACTÉRISTIQUES DU PRODUIT



**DESIGN:** Now offered in two formats, this soft, colorful and sound absorbing large format downlight pendant is composed of twelve felt-like acoustic panels surrounding a custom LED light source distributing a uniform and direct light.

**INSTALLATION:** Easy to install, adjust single power cable mounting with clip-on acoustic panels.

**LIGHT SOURCE:** Mute features a custom LED light engine supplied with a standard dimming driver (0-10V or phase).

**STRUCTURE:** Precision cut chrome top cover plate and white or black canopy.

**SHADE:** The custom CNC cut panels are made from recycled PET bottles and are recyclable. Available in charcoal.

**CERTIFIED:** c-CSA-us

# Acoustic Material Color Options for Mute



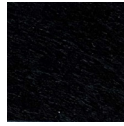
## Standard colors



**ABF**  
Azure Blue



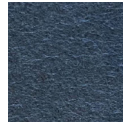
**AWF**  
Arctic White



**BBF**  
Basic Black



**BOF**  
Blood Orange



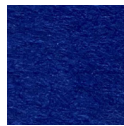
**BTF**  
Battleship Gray



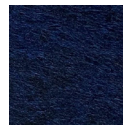
**BYF**  
Banana Yellow



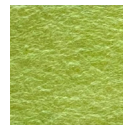
**CHF**  
Charcoal



**NBF**  
Navy Blue



**OBF**  
Ocean Blue



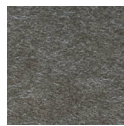
**PGF**  
Pear Green



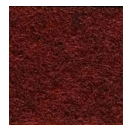
**REF**  
Red



**SGF**  
Silver Gray



**TGF**  
Titanium Gray



**ZFF**  
Zinfandel

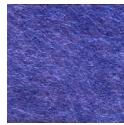
## Premium colors



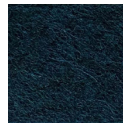
**BGF**  
Bubble Gum



**BKF**  
Bark Brown



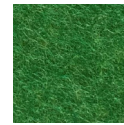
**DBF**  
Denim Blue



**DTF**  
Deep Teal Green



**DYF**  
Daisy Yellow



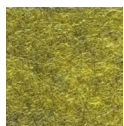
**GGF**  
Grass Green



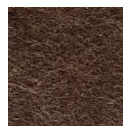
**LBF**  
Light Beige



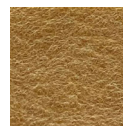
**LGF**  
Lime Green



**MGF**  
Moss Green



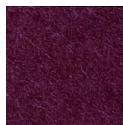
**OAF**  
Oak Brown



**PBF**  
Peanut Brown



**PNF**  
Pinot Noir



**PPF**  
Plum Purple



**SBF**  
Sky Blue



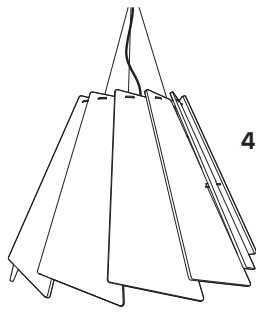
**TOF**  
Tangerine Orange



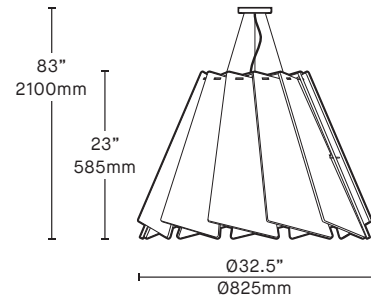
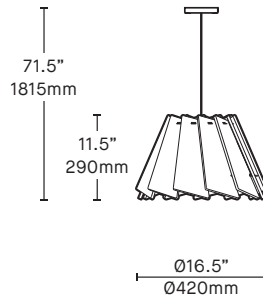
**TPF**  
Tulip Purple

- Premium colors carry extended lead times. Additional fees may apply for expedited lead times. Please consult factory.
- Due to the dye process, colors may vary slightly from batch to batch.

# MUTE 4258-XX



**4258-32**



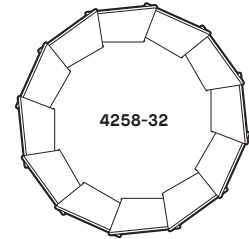
**NOISE REDUCTION**  
The Mute is composed of 12 sound absorbing panels surrounding a custom design light engine.

**CANOPY OPTIONS**

- 2473F Standard Canopy** Ø5.50" x 1.35"  
Mounting on a standard 4" J-Box
- 2471C Low Profile Canopy** Ø4.50" x 0.50"  
Mounting on Eureka box 3983  
Recessed driver for discreet installation.



**4258-16**



**4258-32**

**SUSPENSION**

1 single suspension cable on the smaller version, 3 easy-to-adjust aircraft cables on the larger version for extra support and stability

**BOTTOM LENS**

Frosted acrylic lens for superior light transmission. Easy installation & locks with acoustic panels

**HIGH PERFORMANCE LED BOARD**

Custom made LED module

**COLORS**

Available in 14 standard colors and 16 Premium colors, For all color options, refer to the Acoustic Material Color Options page.

**RECYCLED PANELS**

Custom CNC cut polyester panels made from recycled bottles (PET). Panels are recyclable

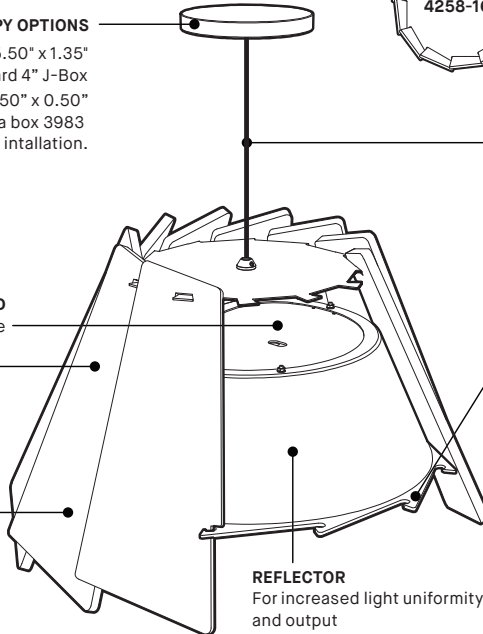


**REFLECTOR**

For increased light uniformity and output

**CLEANING**

A proper and regular cleaning will help extend the lifespan of acoustic products. Remove dust with a vacuum cleaner and light stains with a damp cloth. For greasy and deep stains, a professional dry clean is recommended. Do not use any abrasive, soap, or chemical cleaner.



**4258-16**



**PRODUCT SPECIFICATION**

**4258-16**

**4258-32**

**PERFORMANCE**

SYSTEM WATTAGE	17.3W	28.5W
DELIVERED LUMENS (4000K)	1379 LM	1799LM
EFFICACY	79.7LM/W	63.12LM/W

**OTHER INFORMATIONS**

LUMINAIRE'S WEIGHT	5.83 LBS / 2.65 KG	11.77 LBS / 5.35 KG
L70 (LUMEN MAINTENANCE)	60 000 HRS	60 000 HRS
FELT ACOUSTIC	HIGH DENSITY 9MM POLYESTER FELT	
FIRE RATING	ACOUSTIC MATERIAL RATED AT 0.75 N ASTM E84-13 (FELT MATERIAL ONLY)	

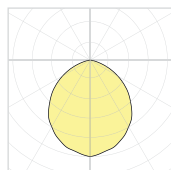
**WELL & LEED STANDARD REQUIREMENTS**

MAX. LUMINANCE 45°-90° OF NADIR	1453 CD/M <sup>2</sup>	489 CD/M <sup>2</sup>
LIGHT QUALITY	R9 > 50 (90 CRI OPTION)	
FLICKERING TOLERANCE	LOW FLICKER, COMPLIANT TO CALIFORNIA TITLE 24	

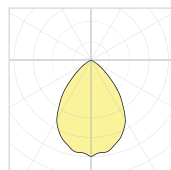
**EFFICACY MULTIPLIERS**

CRI	CCT	FACTOR
80+	4000K	1.00
80+	3500K	0.98
80+	3000K	0.94
80+	2700K	0.91
90+	4000K	0.88
90+	3500K	0.85
90+	3000K	0.81
90+	2700K	0.77

**LIGHT DISTRIBUTION**



**4258-16**



**4258-32**

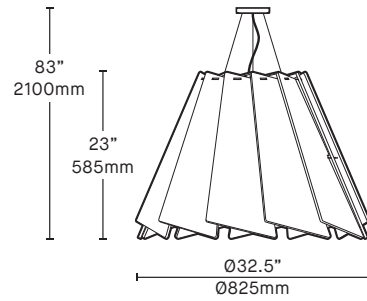
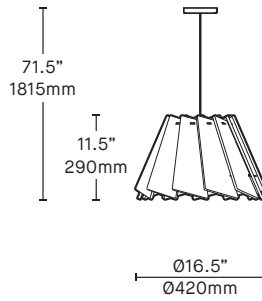
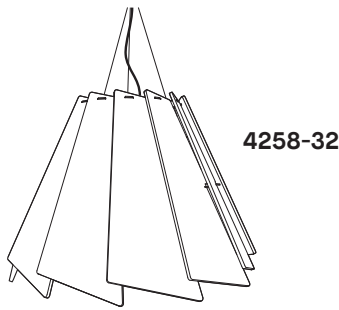


Visit our website for warranty terms and conditions.



**TECHNICAL DATA**

# MUTE 4258-XX



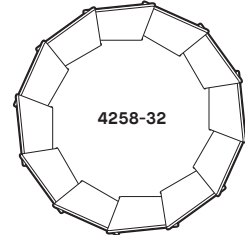
## ATTÉNUATION DU BRUIT

Le Mute est composé de 12 panneaux acoustiques encerclant une source lumineuse DEL faite sur mesure.

## OPTIONS DE PAVILLON

**2473F Pavillon standard.** Ø5.50" x 1.35"  
Installation sur une boîte de jonction standard. 4"

**2471C Pavillon mince et discret** Ø4.50" x 0.50"  
Installation sur une boîte de jonction profonde fournie.



## SUSPENSION

1 seul câble de suspension sur la petite version, 3 câbles d'acier facile à ajuster pour un support et une stabilité additionnelle sur la grande version

## LENTILLE

Lentille d'acrylique givré, transmission optique supérieure. Installation facile en bloquant les panneaux acoustiques

## MODULE DEL HAUTE PERFORMANCE

Disque DEL de 24W conçu sur mesure

## COULEURS

Disponible en 14 couleurs standards et 16 couleurs Premium. Pour la charte de couleurs consultez la fiche d'options de couleurs

## PANNEAUX RECYCLÉS

Panneaux de polyester faits de bouteilles de plastique recyclées (PET). Les panneaux sont recyclables



## RÉFLECTEUR

Augmente l'uniformité et le flux lumineux

## NETTOYAGE

Un nettoyage approprié et régulier contribuera à prolonger la durée de vie des produits acoustiques. Enlever la poussière avec un aspirateur et les taches légères avec un linge humide. Pour les tâches importantes ou grasses, un nettoyage à sec est recommandé. Ne pas utiliser de produits abrasifs, de savon ou de produits nettoyants chimiques.



reddot 21 world of design

## SPÉCIFICATION PRODUIT

4258-16

4258-32

### PERFORMANCE

PUISSANCE TOTALE	17.3W	28.5W
LUMENS RÉELS (4000K)	1379 LM	1799LM
EFFICACITÉ	79.7LM/W	63.12LM/W

### AUTRES INFORMATIONS

POIDS DU LUMINAIRE	5.83 LBS / 2.65 KG	11.77 LBS / 5.35 KG
L70 (MAINTENANCE DE LA LUMIÈRE)	60 000 H	60 000 H
FEUTRE ACOUSTIQUE	FEUTRE DE POLYESTER HAUTE DENSITÉ 9MM	
RÉSISTANCE AU FEU	MATÉRIEL ACOUSTIQUE GRADÉ À 0.75 N	
	ASTM E84-13 (MATÉRIEL FEUTRE SEULEMENT)	

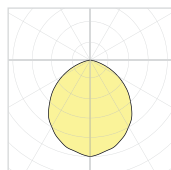
### CRITÈRES DE CERTIFICATION WELL & LEED

MAX. LUMINANCE 45°-90° NADIR	1453 CD/M²	489 CD/M²
QUALITÉ DE LA LUMIÈRE	R9 > 50 (OPTION 90 IRC)	
TOLÉRANCE DE CLIGNOTEMENTS	PEU DE CLIGNOTEMENT (CONFORME À CALIFORNIA TITLE 24)	

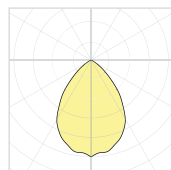
## FACTEUR D'EFFICACITÉ

IRC	CCT	FACTEUR
80+	4000K	1.00
80+	3500K	0.98
80+	3000K	0.94
80+	2700K	0.91
90+	4000K	0.88
90+	3500K	0.85
90+	3000K	0.81
90+	2700K	0.77

## DISTRIBUTION LUMINEUSE



4258-16



4258-32



Visitez notre site Web pour les termes et conditions.



## DONNÉES TECHNIQUES