

MUTE 4258-32

QUICKSHIP

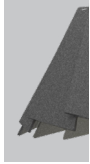
PROJECT PROJET

SPEC TYPE

NOTES

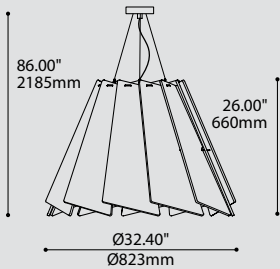


FINISH FINI



CHF

4258-32



ORDERING SPECIFICATION SPÉCIFICATION DE COMMANDE

CODE

QUICKSHIP

QS5 QUICKSHIP 5 DAYS - MAXIMUM 5 UNITS QUICKSHIP 5 JOURS - MAXIMUM 5 UNITÉS
 QS10 QUICKSHIP 10 DAYS - MAXIMUM 20 UNITS QUICKSHIP 10 JOURS - MAXIMUM 20 UNITÉS

MODEL MODÈLE

4258-32 MUTE 32"

4258-32

LIGHT SOURCE SOURCE LUMINEUSE

LED REGULAR OUTPUT

LED

COLOR TEMPERATURE TEMPÉRATURE DE COULEUR

30 3000K
 35 3500K
 40 4000K

COLOR RENDERING INDEX (CRI) INDICE DE RENDU DE COULEUR (IRC)

80 80+ CRI

80

VOLTAGE VOLTAGE

120V 120 VOLT
 277V 277 VOLT

CONTROL OPTION OPTION DE CONTRÔLE

DV 0-10V DIMMING (120V-277V)
 DP PHASE DIMMING (120V ONLY)
 LED DIMMING DRIVER IS STANDARD IN THIS PRODUCT, PLEASE SPECIFY YOUR DIMMING TYPE

CABLE CÂBLE

AC AIRCRAFT MOUNTING & CLEAR CABLE, FIELD ADJUSTABLE

AC

CABLE LENGTH LONGUEUR DE CÂBLE

60 60" AIRCRAFT CABLE (STD LENGTH)
 ** CUSTOM AIRCRAFT CABLE LENGTH (PLEASE SPECIFY)
 FOR OVERALL LENGTH, PLEASE CONTACT YOUR EUREKA REPRESENTATIVE

MOUNTING MONTAGE

RC2* ROUND CANOPY/PAVILLON ROND
 SCREWLESS 0.5" CANOPY (2471C)
 *3983 ACCESSORY PROVIDED FOR 2471C CANOPY

CANOPY FINISH FINI PAVILLON

WHE WHITE FINE TEXTURE

WHE

SHADE FINISH FINI ABAT-JOUR

CHF CHARCOAL FELT

CHF

ACRYLIC FINISH FINI ACRYLIQUE

WH WHITE

WH

ACCESSORY ACCESSOIRE

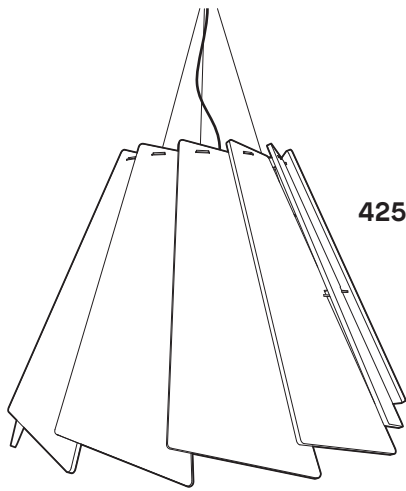
3983* DEEP JUNCTION BOX (PROVIDED FOR 2471C CANOPY)
 *JUNCTION BOX IS AVAILABLE FOR ADVANCE SHIPPING

PRODUCT CHARACTERISTICS CARACTÉRISTIQUES DU PRODUIT

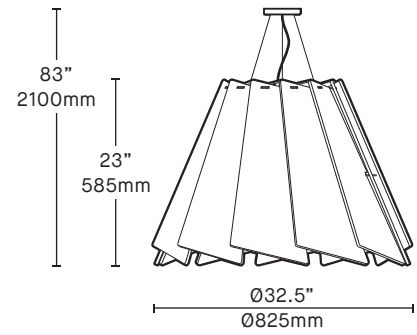
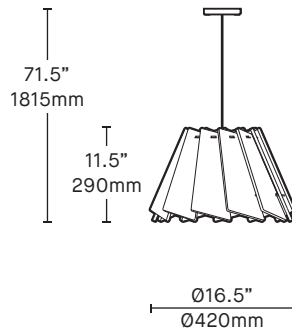


- DESIGN:** Now offered in two formats, this soft, colorful and sound absorbing large format downlight pendant is composed of twelve felt-like acoustic panels surrounding a custom LED light source distributing a uniform and direct light.
- INSTALLATION:** Easy to install, adjust and level triple aircraft cable mounting with clip-on acoustic panels.
- LIGHT SOURCE:** Mute features a custom LED light engine supplied with a standard dimming driver (0-10V or phase).
- STRUCTURE:** Precision cut chrome top cover plate and white or chrome canopy.
- SHADE:** The custom CNC cut panels are made from recycled PET bottles and are recyclable. Available in charcoal.
- CERTIFIED:** c-CSA-us

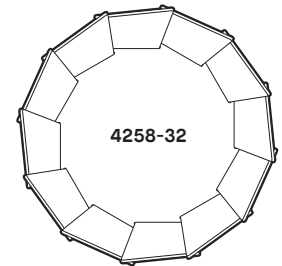
MUTE 4258-XX



4258-32



4258-16

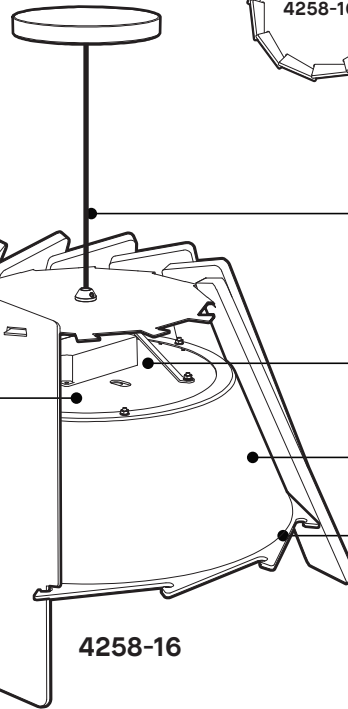


4258-32



NOISE REDUCTION

The Mute is composed of 12 sound absorbing panels surrounding a custom design light engine. Panels are available in 3 color: Charcoal, Silver or Red.



4258-16

SUSPENSION

1 single suspension cable on the smaller version, 3 easy-to-adjust aircraft cables on the larger version for extra support and stability

INTEGRATED ELECTRONIC DRIVER

For fast access and maintenance

REFLECTOR

For increased light uniformity and output

BOTTOM LENS

Frosted acrylic lens for superior light transmission. Easy installation & locks with acoustic panels

HIGH PERFORMANCE LED BOARD
Custom made LED module

RECYCLED PANELS
Custom CNC cut polyester panels made from recycled bottles (PET). Panels are recyclable



reddot 21 world of design

PRODUCT SPECIFICATION

4258-16

4258-32

PERFORMANCE

SYSTEM WATTAGE	17.3W	28.5W
DELIVERED LUMENS (4000K)	1379 LM	1799LM
EFFICACY	79.7LM/W	63.12LM/W

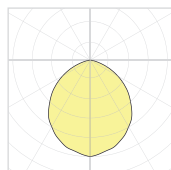
OTHER INFORMATION

LUMINAIRE'S WEIGHT	ON REQUEST	ON REQUEST
--------------------	------------	------------

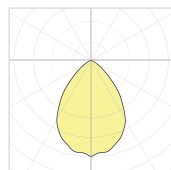
EFFICACY MULTIPLIERS

CRI	CCT	FACTOR
80+	4000K	1.00
80+	3500K	0.98
80+	3000K	0.94
80+	2700K	0.91
90+	4000K	0.88
90+	3500K	0.85
90+	3000K	0.81
90+	2700K	0.77

LIGHT DISTRIBUTION



4258-16



4258-32

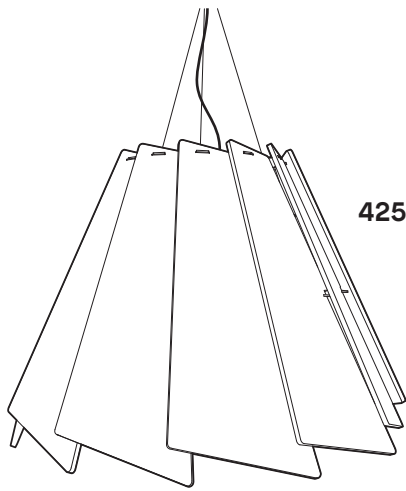


Visit our website for warranty terms and conditions.

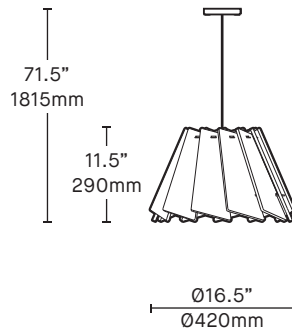


TECHNICAL DATA

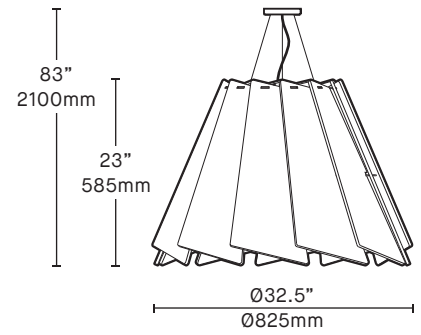
MUTE 4258-XX



4258-32



Ø16.5\"/>



Ø32.5\"/>

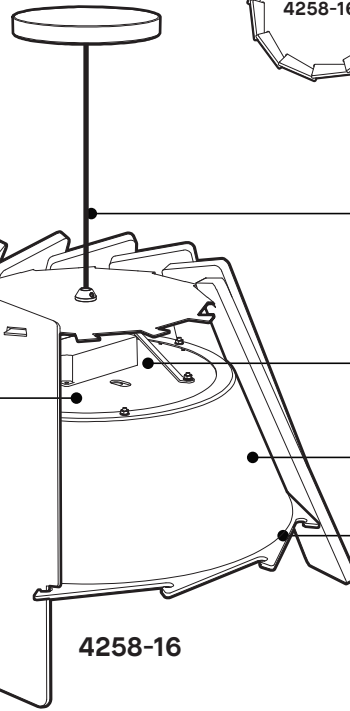


ATTÉNUATION DU BRUIT

Le Mute est composé de 12 panneaux acoustiques encerclant une source lumineuse DEL faite sur mesure. Les panneaux sont disponibles en 3 couleurs: gris, argent ou rouge.

MODULE DEL HAUTE PERFORMANCE
Disque DEL de 24W conçu sur mesure

PANNEAUX RECYCLÉS
Panneaux de polyester faits de bouteilles de plastique recyclées (PET)
Les panneaux sont recyclables



SUSPENSION

1 seul câble de suspension sur la petite version, 3 câbles d'acier facile à ajuster pour un support et une stabilité additionnelle sur la grande version

PILOTE ÉLECTRONIQUE INTÉGRÉ

Pour faciliter l'accès et la maintenance

RÉFLECTEUR

Augmente l'uniformité et le flux lumineux

LENTILLE

Lentille d'acrylique givrée, transmission optique supérieure. Installation facile en bloquant les panneaux acoustiques

4258-16



reddot 21
world of design

SPÉCIFICATION PRODUIT

4258-16

4258-32

PERFORMANCE

PUISSANCE TOTALE	17.3W	28.5W
LUMENS RÉELS (4000K)	1379 LM	1799LM
EFFICACITÉ	79.7LM/W	63.12LM/W

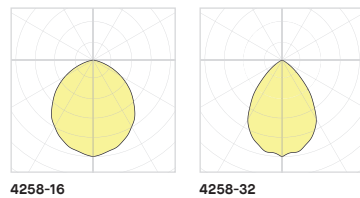
AUTRES INFORMATION

POIDS DU LUMINAIRE	SUR DEMANDE	SUR DEMANDE
--------------------	-------------	-------------

FACTEUR D'EFFICACITÉ

IRC	CCT	FACTEUR
80+	4000K	1.00
80+	3500K	0.98
80+	3000K	0.94
80+	2700K	0.91
90+	4000K	0.88
90+	3500K	0.85
90+	3000K	0.81
90+	2700K	0.77

DISTRIBUTION LUMINEUSE



4258-16

4258-32



Visitez notre site Web pour les termes et conditions.



DONNÉES TECHNIQUES