

# MIKA 3230

QUICKSHIP

PROJECT PROJET

SPEC TYPE

NOTES



## OPTIONS



3230-8

3230-12

3230-16

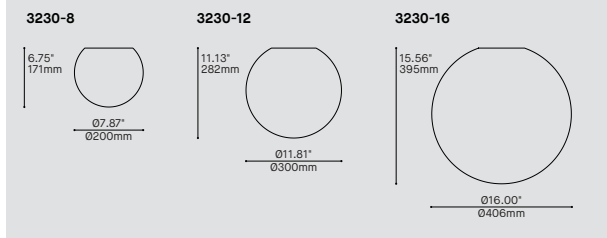
## FAMILY FAMILLE



4428-16-RAP

4428-10-RAP

4230-12



## ORDERING SPECIFICATION SPÉCIFICATION DE COMMANDE

CODE

### QUICKSHIP

QS5 QUICKSHIP 5 DAYS - MAXIMUM 5 UNITS QUICKSHIP 5 JOURS - MAXIMUM 5 UNITÉS  
 QS10 QUICKSHIP 10 DAYS - MAXIMUM 20 UNITS QUICKSHIP 10 JOURS - MAXIMUM 20 UNITÉS

### MODEL MODÈLE

3230-8 MIKA 8"  
 3230-12 MIKA 12"  
 3230-16 MIKA 16"

### LIGHT SOURCE SOURCE LUMINEUSE

LED

LED REGULAR OUTPUT

### COLOR TEMPERATURE TEMPÉRATURE DE COULEUR (°K)

30 3000K  
 35 3500K  
 40 4000K

### COLOR RENDERING INDEX (CRI) INDICE DE RENDU DE COULEUR (IRC)

80

80 80+ CRI

### VOLTAGE VOLTAGE

120V 120 VOLT  
 277V 277 VOLT

### CONTROL OPTION OPTION DE CONTRÔLE

DV 0-10V DIMMING (120V-277V)  
 DP PHASE DIMMING (120V ONLY)

### DIFFUSER FINISH FINI DIFFUSEUR

WH

WH WHITE

### ACCESSORY ACCESSOIRE

3983\* DEEP JUNCTION BOX (PROVIDED DV AND DP)  
 \* JUNCTION BOX IS AVAILABLE FOR ADVANCE SHIPPING

## PRODUCT CHARACTERISTICS CARACTÉRISTIQUES DU PRODUIT



### DESIGN:

Classic round globe with an evenly frosted shade available with 8", 12" and 16" diameters. Mika can be specified as a ceiling or wall mount and pendant.

### INSTALLATION:

Designed with a "twist and lock" installation system for easy installation without visible fasteners. Mika is mounted on a deep junction box (3983 - included).

### LIGHT SOURCE:

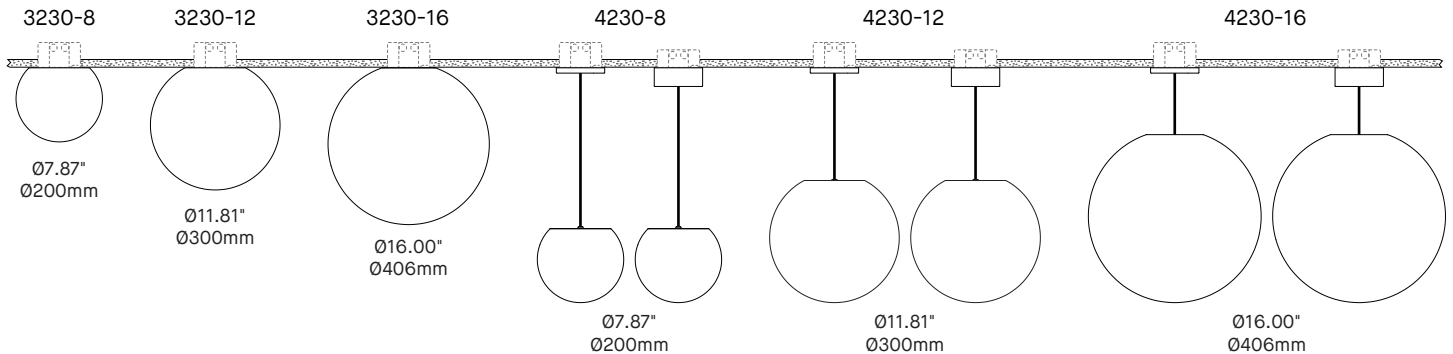
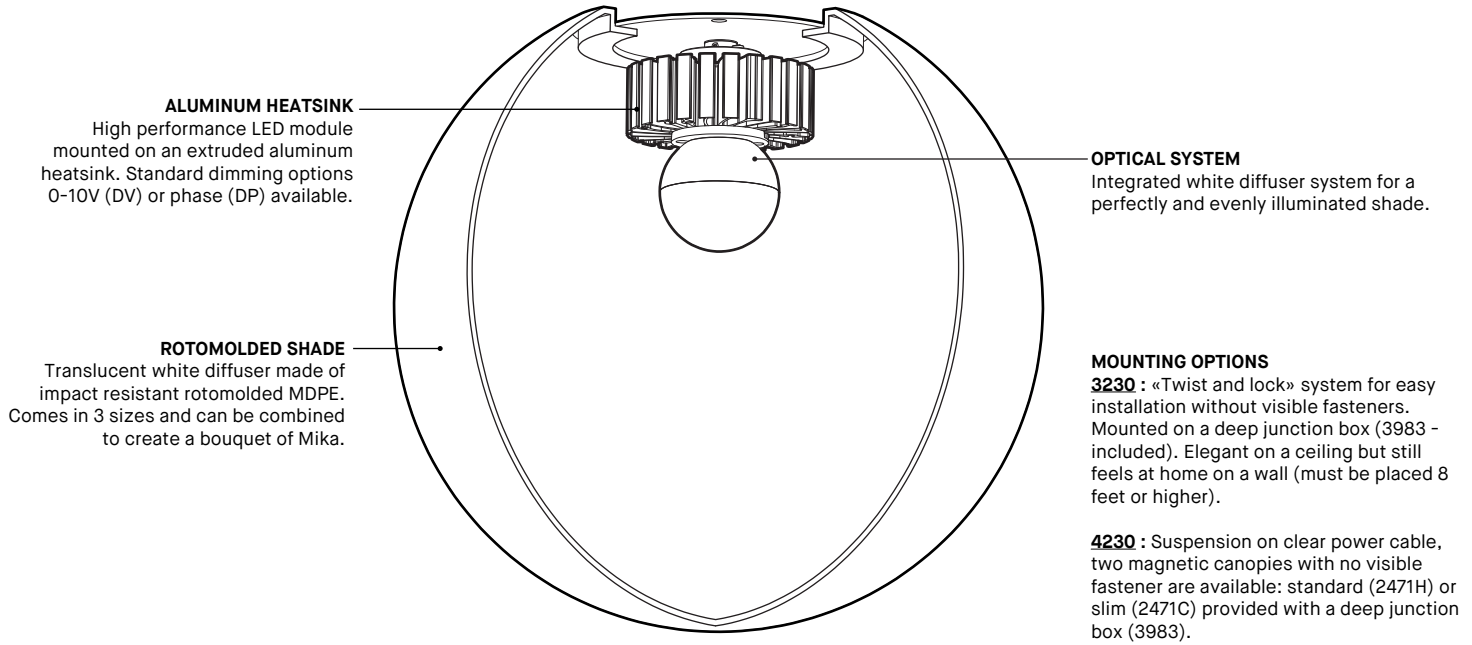
High performance LED module mounted on an extruded aluminum heatsink, Mika is offered with standard dimming options 0-10V (DV) or phase (DP). Emergency and nLight options available.

### DIFFUSER:

Translucent white diffuser made of impact resistant rotomolded MDPE.

### CERTIFIED:

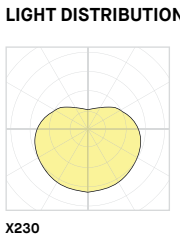
c-CSA-us

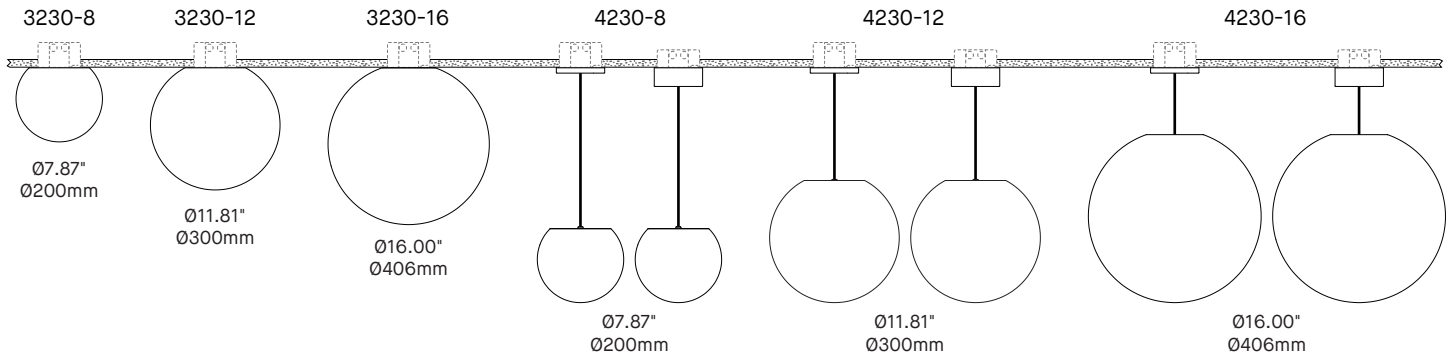
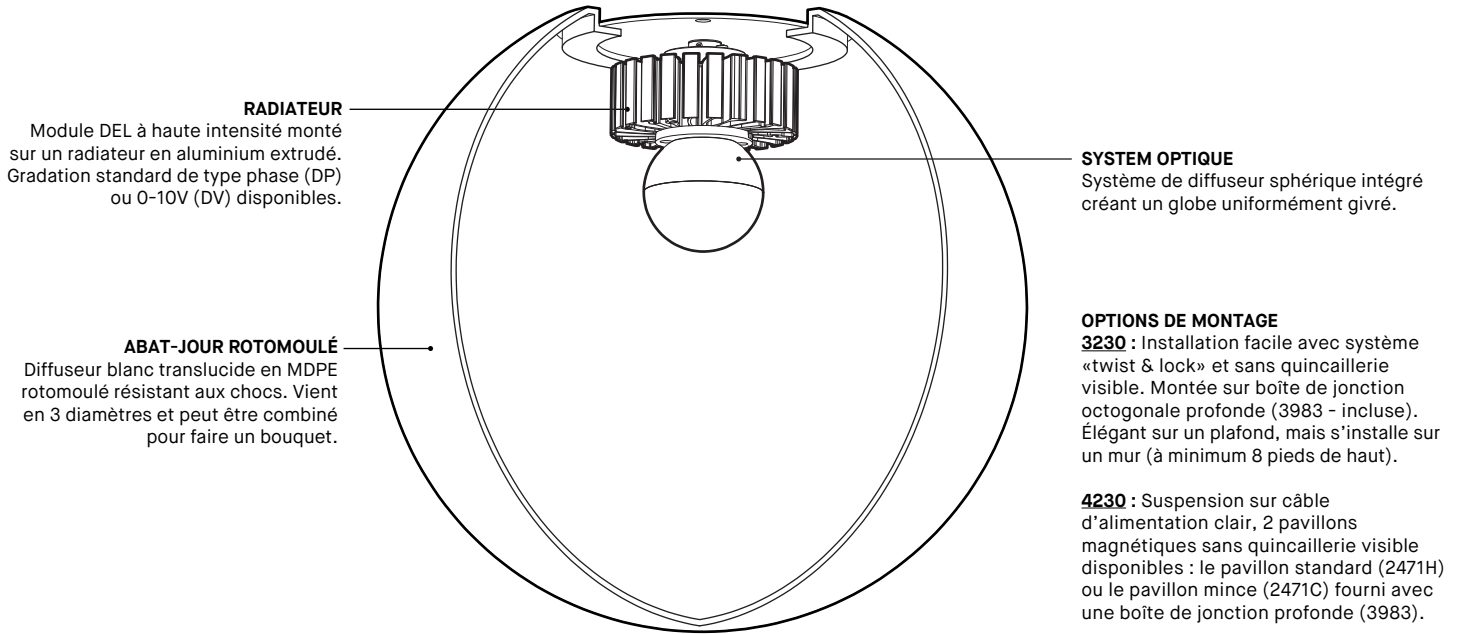


PRODUCT SPECIFICATION	3230-8	3230-12	3230-16	4230-8	4230-12	4230-16
<b>PERFORMANCE</b>						
SYSTEM WATTAGE	9.8 W	9.8 W	14.1 W	9.8 W	9.8 W	14.1 W
DELIVERED LUMENS (4000K)	987 LM	1062 LM	1523 LM	987 LM	1062 LM	1523 LM
EFFICACY	101 LM/W	108 LM/W	108 LM/W	101 LM/W	108 LM/W	108 LM/W
<b>OTHER INFORMATIONS</b>						
WEIGHT	2.2LBS / 1.0KG	2.3LBS / 1KG	3.5LBS / 1.6KG	2.2LBS / 1.0KG	2.3LBS / 1KG	3.5LBS / 1.6KG
L70 (LUMEN MAINTENANCE)	> 55 000 HRS	> 55 000 HRS	> 55 000 HRS	> 55 000 HRS	> 55 000 HRS	> 55 000 HRS
<b>WELL &amp; LEED STANDARD REQUIREMENTS</b>						
MAX. LUMINANCE 45°-90° OF NADIR	2208 CD/M <sup>2</sup>	892 CD/M <sup>2</sup>	659 CD/M <sup>2</sup>	2208 CD/M <sup>2</sup>	892 CD/M <sup>2</sup>	659 CD/M <sup>2</sup>
LIGHT QUALITY	R9 > 50 (90 CRI OPTION)					
FLICKERING TOLERANCE	LOW FLICKER, COMPLIANT TO CALIFORNIA TITLE 24					

**EFFICACY MULTIPLIERS**

CRI	CCT	FACTOR
80+	4000K	1.00
80+	3500K	0.99
80+	3000K	0.97
80+	2700K	0.94
90+	4000K	0.89
90+	3500K	0.86
90+	3000K	0.84
90+	2700K	0.80



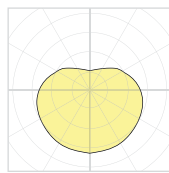


SPÉCIFICATION PRODUIT	3230-8	3230-12	3230-16	4230-8	4230-12	4230-16
<b>PERFORMANCE</b>						
PUISSANCE TOTALE	9.8 W	9.8 W	14.1 W	9.8 W	9.8 W	14.1 W
LUMENS RÉELS (4000K)	987 LM	1062 LM	1523 LM	987 LM	1062 LM	1523 LM
EFFICACITÉ	101 LM/W	108 LM/W	108 LM/W	101 LM/W	108 LM/W	108 LM/W
<b>AUTRES INFORMATIONS</b>						
POIDS	2.2LBS / 1.0KG	2.3LBS / 1KG	3.5LBS / 1.6KG	2.2LBS / 1.0KG	2.3LBS / 1KG	3.5LBS / 1.6KG
L70 (MAINTENANCE DE LA LUMIÈRE)	> 55 000 H	> 55 000 H	> 55 000 H	> 55 000 H	> 55 000 H	> 55 000 H
<b>CRITÈRES DE CERTIFICATION WELL &amp; LEED</b>						
MAX. LUMINANCE 45°-90° NADIR	2208 CD/M <sup>2</sup>	892 CD/M <sup>2</sup>	659 CD/M <sup>2</sup>	2208 CD/M <sup>2</sup>	892 CD/M <sup>2</sup>	659 CD/M <sup>2</sup>
QUALITÉ DE LA LUMIÈRE	R9 > 50 (OPTION 90 IRC)					
TOLÉRANCE DE CLIGNOTEMENTS	PEU DE CLIGNOTEMENT (CONFORME À CALIFORNIA TITLE 24)					

### FACTEUR D'EFFICACITÉ

IRC	CCT	FACTEUR
80+	4000K	1.00
80+	3500K	0.99
80+	3000K	0.97
80+	2700K	0.94
90+	4000K	0.89
90+	3500K	0.86
90+	3000K	0.84
90+	2700K	0.80

### DISTRIBUTION LUMINEUSE



X230



Visitez notre site Web pour les termes et conditions.