

MIKA 4230

QUICKSHIP

PROJECT PROJET

SPEC TYPE

NOTES



OPTIONS



4230-8

4230-12

4230-16

FAMILY FAMILLE

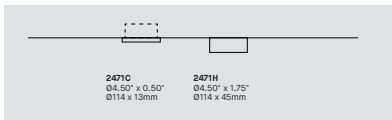


4428-16-RAP

4428-10-RAP

3230-12

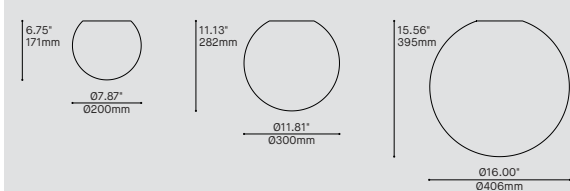
MOUNTING OPTIONS OPTIONS DE MONTAGE



4230-8

4230-12

4230-16



ORDERING SPECIFICATION SPÉCIFICATION DE COMMANDE

CODE

QUICKSHIP

QS5 QUICKSHIP 5 DAYS - MAXIMUM 5 UNITS QUICKSHIP 5 JOURS - MAXIMUM 5 UNITÉS
QS10 QUICKSHIP 10 DAYS - MAXIMUM 20 UNITS QUICKSHIP 10 JOURS - MAXIMUM 20 UNITÉS

MODEL MODÈLE

4230-8 MIKA 8"
4230-12 MIKA 12"
4230-16 MIKA 16"

LIGHT SOURCE SOURCE LUMINEUSE

LED REGULAR OUTPUT

LED

COLOR TEMPERATURE TEMPÉRATURE DE COULEUR (°K)

30 3000K
35 3500K

COLOR RENDERING INDEX (CRI) INDICE DE RENDU DE COULEUR (IRC)

80 80+ CRI

80

VOLTAGE VOLTAGE

120V 120 VOLT
277V 277 VOLT

CONTROL OPTION OPTION DE CONTRÔLE

DV 0-10V DIMMING (120V-277V)
DP PHASE DIMMING (120V ONLY)

CABLE CÂBLE

C CLEAR CABLE, FIELD ADJUSTABLE

C

CABLE LENGTH LONGUEUR DE CÂBLE

60 60" CABLE (STD LENGTH)
** CUSTOM CABLE LENGTH (PLEASE SPECIFY)
FOR OVERALL LENGTH, PLEASE CONTACT YOUR EUREKA REPRESENTATIVE

MOUNTING MONTAGE

RC1 ROUND CANOPY / PAVILLON ROND
FOR DIMMING LED: 1.75" CANOPY (2471H)
RC2* FOR DIMMING LED: 0.5" CANOPY (2471C)
*3983 ACCESSORY PROVIDED

CANOPY FINISH FINI PAVILLON

WHE WHITE FINE TEXTURE

WHE

DIFFUSER FINISH FINI DIFFUSEUR

WH WHITE

WH

ACCESSORY ACCESSOIRE

3983* DEEP JUNCTION BOX (PROVIDED FOR SCREWLESS 0.5" CANOPY 2471C)
*JUNCTION BOX IS AVAILABLE FOR ADVANCE SHIPPING

PRODUCT CHARACTERISTICS CARACTÉRISTIQUES DU PRODUIT



DESIGN:

Classic round globe with an evenly frosted shade available with 8", 12" and 16" diameters. Mika can be specified as a ceiling or wall mount and pendant.

INSTALLATION:

Suspension on clear power cable, easy to install and adjust on site. Two magnetic canopies with no visible fastener are available: standard (2471H) or slim (2471C) provided with a deep junction box (3983).

LIGHT SOURCE:

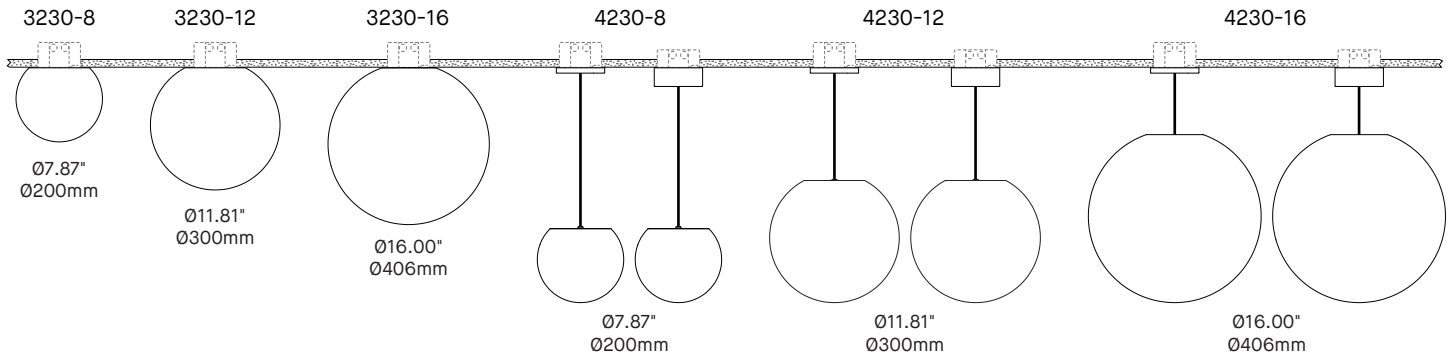
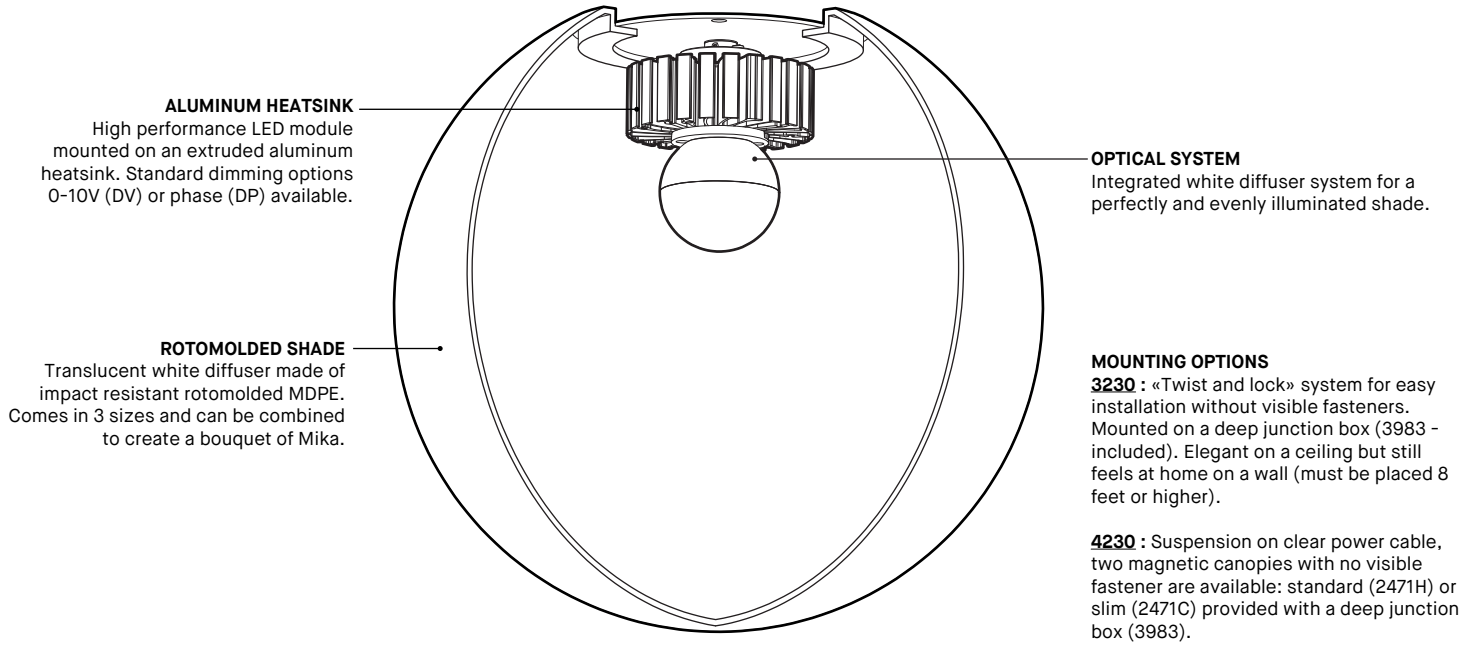
High performance LED module mounted on an extruded aluminum heatsink, Mika is offered with standard dimming options 0-10V (DV) or phase (DP). Emergency options available.

DIFFUSER:

Translucent white diffuser made of impact resistant rotomolded MDPE.

CERTIFIED:

c-CSA-us

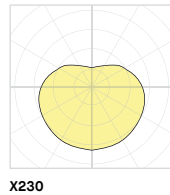


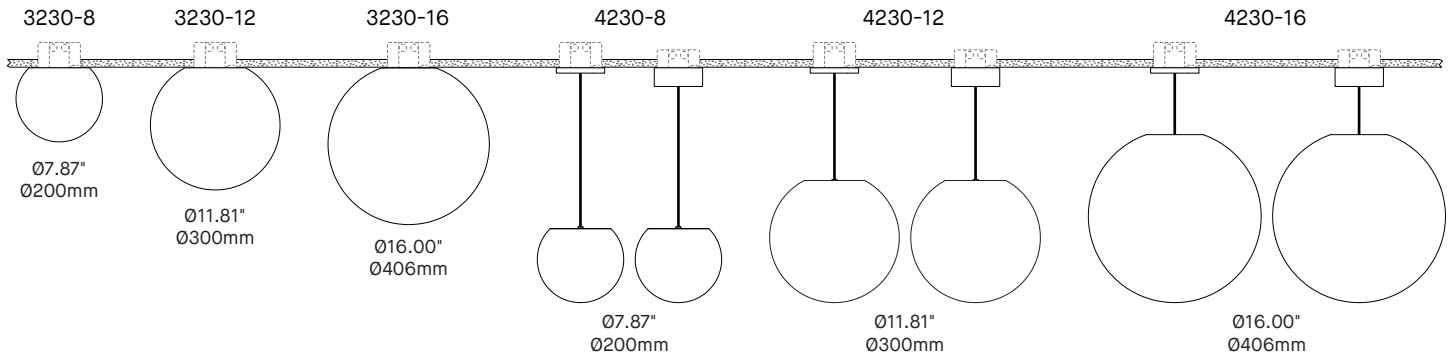
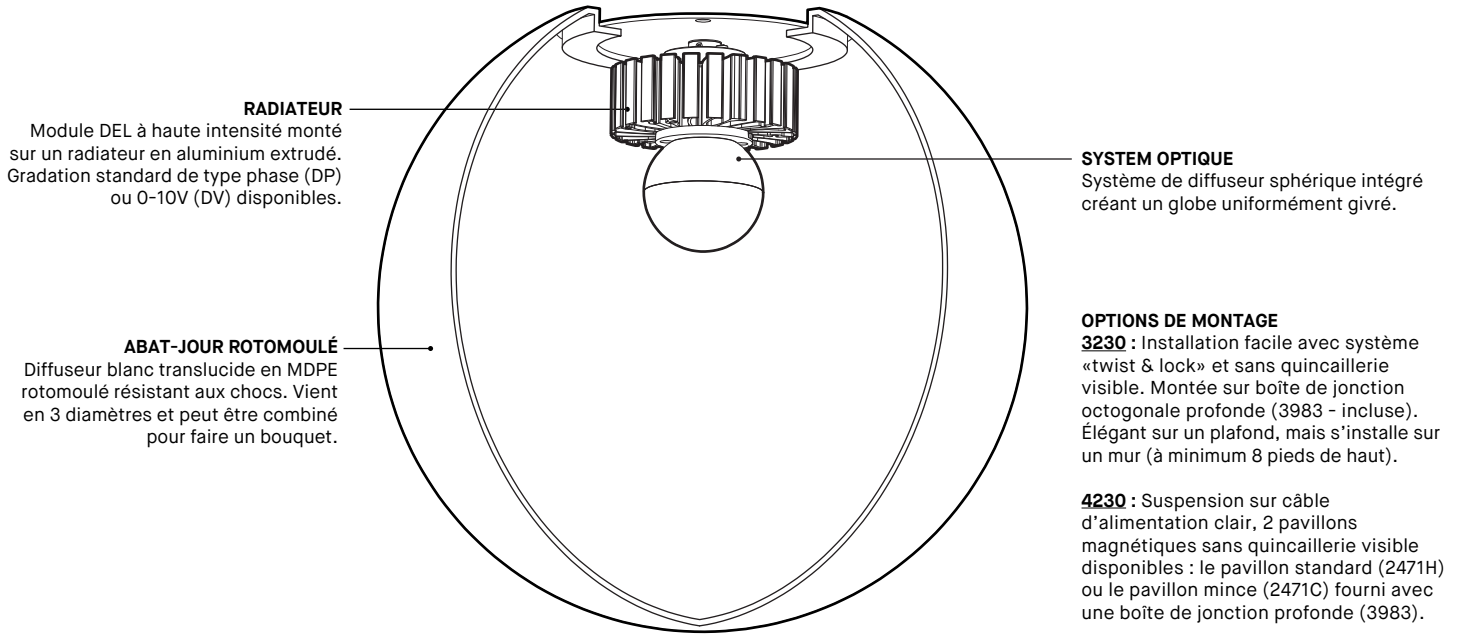
PRODUCT SPECIFICATION	3230-8	3230-12	3230-16	4230-8	4230-12	4230-16
PERFORMANCE						
SYSTEM WATTAGE	9.8 W	9.8 W	14.1 W	9.8 W	9.8 W	14.1 W
DELIVERED LUMENS (4000K)	987 LM	1062 LM	1523 LM	987 LM	1062 LM	1523 LM
EFFICACY	101 LM/W	108 LM/W	108 LM/W	101 LM/W	108 LM/W	108 LM/W
OTHER INFORMATIONS						
WEIGHT	2.2LBS / 1.0KG	2.3LBS / 1KG	3.5LBS / 1.6KG	2.2LBS / 1.0KG	2.3LBS / 1KG	3.5LBS / 1.6KG
L70 (LUMEN MAINTENANCE)	> 55 000 HRS	> 55 000 HRS	> 55 000 HRS	> 55 000 HRS	> 55 000 HRS	> 55 000 HRS
WELL & LEED STANDARD REQUIREMENTS						
MAX. LUMINANCE 45°-90° OF NADIR	2208 CD/M ²	892 CD/M ²	659 CD/M ²	2208 CD/M ²	892 CD/M ²	659 CD/M ²
LIGHT QUALITY	R9 > 50 (90 CRI OPTION)					
FLICKERING TOLERANCE	LOW FLICKER, COMPLIANT TO CALIFORNIA TITLE 24					

EFFICACY MULTIPLIERS

CRI	CCT	FACTOR
80+	4000K	1.00
80+	3500K	0.99
80+	3000K	0.97
80+	2700K	0.94
90+	4000K	0.89
90+	3500K	0.86
90+	3000K	0.84
90+	2700K	0.80

LIGHT DISTRIBUTION





SPÉCIFICATION PRODUIT	3230-8	3230-12	3230-16	4230-8	4230-12	4230-16
PERFORMANCE						
PUISSANCE TOTALE	9.8 W	9.8 W	14.1 W	9.8 W	9.8 W	14.1 W
LUMENS RÉELS (4000K)	987 LM	1062 LM	1523 LM	987 LM	1062 LM	1523 LM
EFFICACITÉ	101 LM/W	108 LM/W	108 LM/W	101 LM/W	108 LM/W	108 LM/W
AUTRES INFORMATIONS						
POIDS	2.2LBS / 1.0KG	2.3LBS / 1KG	3.5LBS / 1.6KG	2.2LBS / 1.0KG	2.3LBS / 1KG	3.5LBS / 1.6KG
L70 (MAINTENANCE DE LA LUMIÈRE)	> 55 000 H	> 55 000 H	> 55 000 H	> 55 000 H	> 55 000 H	> 55 000 H
CRITÈRES DE CERTIFICATION WELL & LEED						
MAX. LUMINANCE 45°-90° NADIR	2208 CD/M ²	892 CD/M ²	659 CD/M ²	2208 CD/M ²	892 CD/M ²	659 CD/M ²
QUALITÉ DE LA LUMIÈRE	R9 > 50 (OPTION 90 IRC)					
TOLÉRANCE DE CLIGNOTEMENTS	PEU DE CLIGNOTEMENT (CONFORME À CALIFORNIA TITLE 24)					

FACTEUR D'EFFICACITÉ

IRC	CCT	FACTEUR
80+	4000K	1.00
80+	3500K	0.99
80+	3000K	0.97
80+	2700K	0.94
90+	4000K	0.89
90+	3500K	0.86
90+	3000K	0.84
90+	2700K	0.80

