

DENEB 10091B

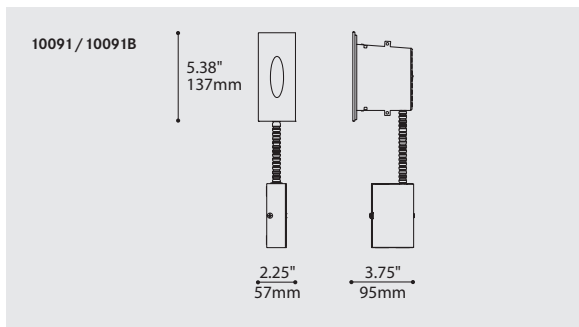
| |
|----------------|
| PROJECT PROJET |
| SPEC TYPE |
| NOTES |



OPTIONS



10091



| ORDERING SPECIFICATION | SPÉCIFICATION DE COMMANDE | CODE |
|---|-------------------------------------|-----------|
| MODEL MODÈLE | | |
| 10091 | DENEB | |
| 10091B | DENEB B | |
| LIGHT SOURCE SOURCE LUMINEUSE | | |
| (WATTAGE, LAMP TYPE, LAMP FORM, BASE TYPE, OTHER INFO) | | |
| BIPIN.10 | 10W, BIPIN, G4 BASE | |
| LED.1.30 | 1W, LED 3000K (WARM) (120V ONLY) | |
| LED.1.40 | 1W, LED 4000K (NEUTRAL) (120V ONLY) | |
| VOLTAGE VOLTAGE | | |
| 120V | 120 VOLT | |
| 277V | 277 VOLT | |
| STRUCTURE FINISH FINI STRUCTURE | | SC |
| S C | SATIN CHROME | |
| DIFFUSER/BAFFLE FINISH FINI DIFFUSEUR/DÉFLECTEUR | | |
| 10091 | | |
| SAA | SATIN ANODIZED ALUMINIUM | |
| 10091B | | |
| FRO | FROST | |

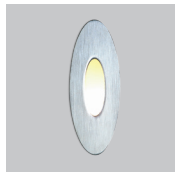
PRODUCT CHARACTERISTICS CARACTÉRISTIQUES DU PRODUIT

| | |
|--------------------------|---|
| Design: | Simple rectangular form with oval opening |
| Light Source: | Energy saving LED and other traditional source available |
| Structure: | Machined aluminum and die-stamped steel with plated finish |
| Optic: | Clear glass with aluminum anodized reflector (10091) or frosted glass (10091B) |
| Certified: | c-CSA-us |
| Conception: | Forme rectangulaire simple avec ouverture ovale |
| Source lumineuse: | DEL à faible consommation et autre source conventionnelle disponible |
| Structure: | Aluminium usiné et acier embouti plaqué |
| Optique: | Verre clair avec réflecteur d'aluminium anodisé (10091) ou verre givré (10091B) |
| Certifié: | c-CSA-us |



1.375" X 4.375" (35MM X 124MM)

FAMILY FAMILLE



10090B, PAGE 28