

1010

PROJECT PROJET

SPEC TYPE

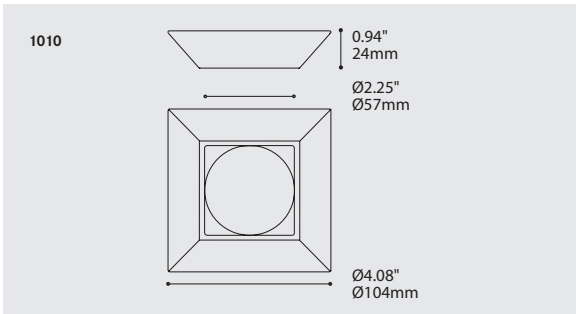
NOTES



OPTIONS



FRO



ORDERING SPECIFICATION SPÉCIFICATION DE COMMANDE

CODE

This trim is compatible with HAL, CFL, CMH and GZ10 lamp types. A complete unit consists of a trim (A) and a housing (B). Select the appropriate housing below

(A) TRIM ORDERING COMMANDE ENCASTRÉ

MODEL MODÈLE	1010
1010 SQUARE GLASS TRIM	

CFL SPECIFICATION SPÉCIFICATION CFL*

*FOR CFL, SPECIFY CFL13

DIFFUSER FINISH FINI DIFFUSEUR

CLR CLEAR	
FRO FROST	

(B) HOUSING ORDERING COMMANDE BOÎTIER

HOUSINGS BOÎTIERS	

Select housing code in matrix below based on light source, voltage options and housing type

PRODUCT CHARACTERISTICS CARACTÉRISTIQUES DU PRODUIT

Design:	This classically square bevelled open trim design is available in clear or frosted glass
Light Source:	CMH, GZ10, CFL or MR16 halogen. Dimming available
Installation:	Functions with remodeling, new construction or air-tight insulated ceiling housings (sold separately)
Structure:	Pressed glass with clear or etched frosted surfaces
Certified:	c-UL-us

Conception:	Cet encastré classique ouvert et carré est disponible en version claire ou givrée
Source lumineuse:	CMH, GZ10, CFL et halogène MR16. Option de gradation disponible
Installation:	Conçu pour utilisation avec boîtier de type rénovation, nouvelle construction ou plafond hermétique isolé (boîtier vendu séparément)
Structure:	Verre pressé clair ou givré par traitement à l'acide
Certifié:	c-UL-us



Ø 3.50" (89MM)

HOUSING SELECTION MATRIX MATRICE DE SELECTION DU BOÎTIER

LIGHT SOURCE SOURCE LUMINEUSE	VOLTAGE VOLTAGE	DIMMING OPTION OPTION DE GRADATION	REMODELING RÉNOVATION	NEW INSTALLATION NOUVELLE INSTALLATION	NEW INSTALLATION (AIR RETURN PLENUM) NOUVELLE INSTALLATION (ESPACE A RETOUR D'AIR)	NEW INSTALLATION (INSULATED CEILING + AIR TIGHT) NOUVELLE INSTALLATION (HERMÉTIQUE + PLAFOND ISOLÉ)
(WATTAGE, LAMP TYPE, LAMP FORM, BASE TYPE, OTHER INFO)						
13W, CFL, DOUBLE TWIN TUBE, GX23-2 BASE	120V MAG.		1522C-C11-35-WH	1602-C11.35	1712C3-C11.35	1812C-C11.35
13W, CFL, DOUBLE TWIN TUBE, G24Q1 BASE	120-277V ELECT.			1602-B21.35.E.8	1712C3-B21.35.E.8	1812C-B21.35.E.8
13W, CFL, DOUBLE TWIN TUBE, G24Q1 BASE	347V ELECT.			1602-B21.35.E.4	1712C3-B21.35.E.4	1812C-B21.35.E.4
13W, CFL, DOUBLE TWIN TUBE, G24Q1 BASE	120-277V ELECT.	ADVANCE MARK 7		1602-B21.35.EDM7.8	1712C3-B21.35.EDM7.8	1812C-B21.35.EDM7.8
35W, HAL, MR16, GU5.3 BASE	120V ELECT.					1810C-0.35.E
35W, HAL, MR16, GU5.3 BASE	277V ELECT.					1810C-0.35.E.3
50W, HAL, MR16, GU5.3 BASE	120V MAG.		1520C-0.35-WH	1600C-0.35	1710C3-0.35	
50W, HAL, MR16, GU5.3 BASE	277V MAG.		1520C-0.35.3-WH	1600C-0.35.3	1710C3-0.35.3	
50W, HAL, MR16, GU5.3 BASE	120V ELECT.		1500C-0.35.E-WH	1600C-0.35.E	1710C3-0.35.E	1820C-0.35.E
50W, HAL, MR16, GU5.3 BASE	277V ELECT.		1500C-0.35.E.3-WH	1600C-0.35.E.3	1710C3-0.35.E.3	1820C-0.35.E.3
35W, HAL, MR16, GZ10 BASE	120V					1811C-2.35
50W, HAL, MR16, GZ10 BASE	120V		1501C-2.35-WH	1601C-2.35	1711C3-2.35	1821C-2.35
20W, CMH, MR16, GX10 BASE (ANSI M156)	120V ELECT.		1523C-4.35.E-WH	1603C-4.35.E	1713C3-4.35.E	1813C-4.35.E
20W, CMH, MR16, GX10 BASE (ANSI M156)	277V ELECT.		1523C-4.35.E.3-WH	1603C-4.35.E.3	1713C3-4.35.E.3	1813C-4.35.E.3