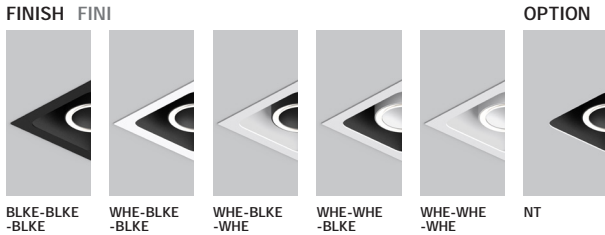
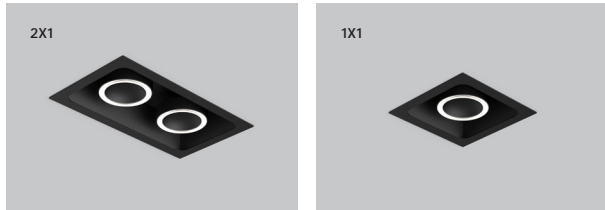
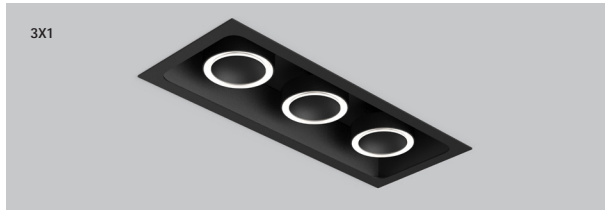
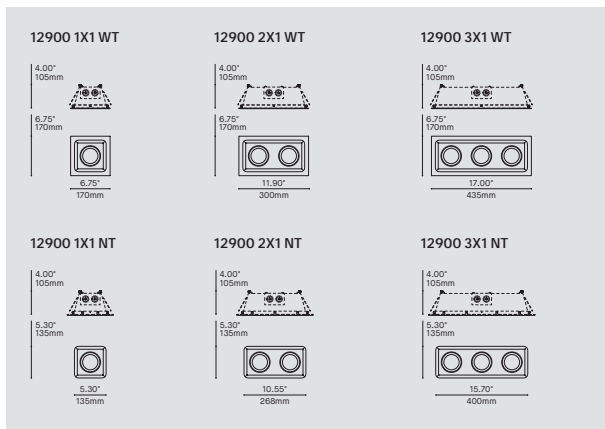


OUTLINE RECESSED 12900

PROJECT PROJCT
SPEC TYPE
NOTES

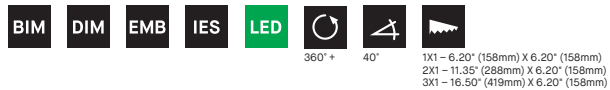


SURFACE (46900) SUSPENDED AIMABLE (74900) SUSPENDED FIXED (74901)



ORDERING SPECIFICATION	SPÉCIFICATION DE COMMANDE	CODE
MODEL MODELE		
12900-1X1	OUTLINE RECESSED 1X1	
12900-2X1	OUTLINE RECESSED 2X1	
12900-3X1	OUTLINE RECESSED 3X1	
LIGHT SOURCE SOURCE LUMINEUSE		
LED	REGULAR OUTPUT (IC RATED)	
LED.HO	HIGH OUTPUT (NON-IC RATED)	
COLOR TEMPERATURE TEMPÉRATURE DE COULEUR		
27*	2700K	
30	3000K	
35	3500K	
40	4000K	
* LONGER LEAD TIME MAY APPLY, PLEASE CONTACT YOUR EUREKA REPRESENTATIVE		
COLOR RENDERING INDEX (CRI) INDICE DE RENDU DE COULEUR (IRC)		
80	80+ CRI	
90*	90+ CRI	
* LONGER LEAD TIME MAY APPLY, PLEASE CONTACT YOUR EUREKA REPRESENTATIVE		
VOLTAGE VOLTAGE		
120V	120 VOLT	
277V	277 VOLT	
DIMMING OPTION OPTION DE GRADATION		
DV	0-10V DIMMING (120V-277V)	
DP	PHASE DIMMING (120V ONLY)	
LED DIMMING DRIVER IS STANDARD IN THIS PRODUCT, PLEASE SPECIFY YOUR DIMMING TYPE		
EMERGENCY BATTERY BATTERIE D'URGENCE		
INSTALLED REMOTELY. SEE EM GUIDE FOR DETAILS.		
EMB*	EMERGENCY BATTERY FOR REMOTE BOX	
* 3981EA ACCESSORY IS REQUIRED		
BEAM ANGLE ANGLE DE FAISCEAU		
ME	MEDIUM (30°)	ME
MOUNTING MONTAGE		
WT	WITH TRIM	
NT	TRIMLESS (DRYWALL MUD FLANGE)	
TRIM FINISH FINI CADRE (A)		
BLKE	BLACK FINE TEXTURE	
WHE	WHITE FINE TEXTURE	
(A) AVAILABLE WITH TRIM OPTION ONLY		
PROJECTOR FINISH FINI PROJECTEURS		
BLKE	BLACK FINE TEXTURE	
WHE	WHITE FINE TEXTURE	
ENCLOSURE FINISH FINI BOÎTIER		
BLKE	BLACK FINE TEXTURE	
WHE	WHITE FINE TEXTURE	
ACCESSORY ACCESSOIRE		
19900-1X1	NEW CONSTRUCTION MOUNTING PLATE (FOR 12900-1X1)	
19900-2X1	NEW CONSTRUCTION MOUNTING PLATE (FOR 12900-2X1)	
19900-3X1	NEW CONSTRUCTION MOUNTING PLATE (FOR 12900-3X1)	
EMERGENCY BATTERY ACCESSORY ACCESSOIRE BATTERIE D'URGENCE		
3981EA	ELECTRICAL BOX FOR EMB EMERGENCY BATTERY	

PRODUCT CHARACTERISTICS CARACTÉRISTIQUES DU PRODUIT



DESIGN: Outline is a modern and distinctive luminaire that creates a bold graphic statement. It exhibits a willingness to challenge traditional notions of projector-type lighting design. Without any visible hardware, the simple enclosure of the recessed version puts the focus on the projectors.

INSTALLATION: With a simple push, Outline easily secures itself within the ceiling hole for a safe and quick installation. The Outline is suitable for new construction, remodeling and grid ceiling installation. For a seamless look, a trimless option is available.

STRUCTURE: A sturdy steel housing and injected aluminium projector heads coated in a high-quality fine texture finish.

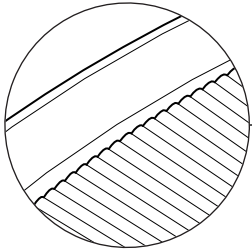
OPTIC: The patent-pending Halo lens combined with the glare-control ring create a uniform light beam with a smooth cut-off.

CERTIFIED: c-CSA-us



SPECIFICATION

OUTLINE RECESSED 12900

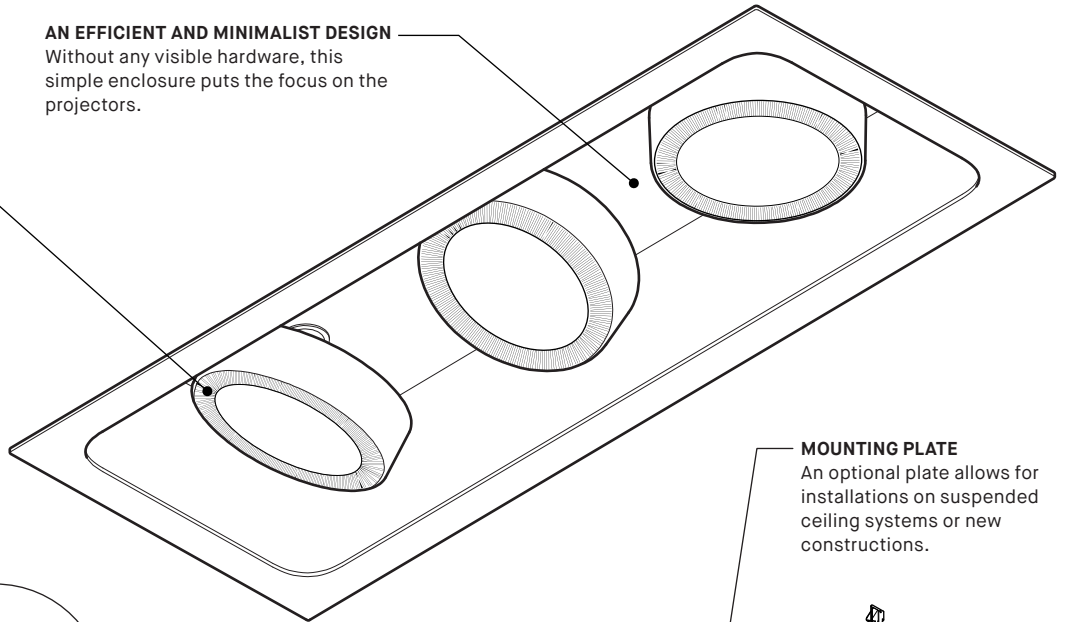


A UNIQUE LENS

The innovative lens offers a uniform light beam with great glare control and optical efficiency.

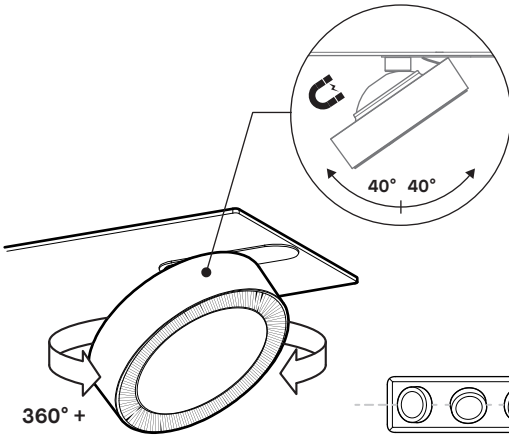
AN EFFICIENT AND MINIMALIST DESIGN

Without any visible hardware, this simple enclosure puts the focus on the projectors.

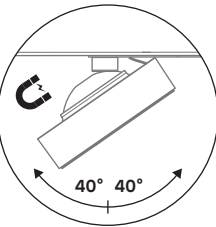


MOUNTING PLATE

An optional plate allows for installations on suspended ceiling systems or new constructions.



360° +

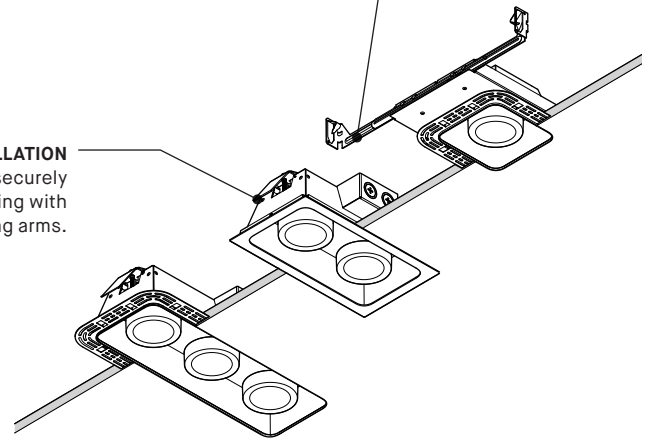


BROAD RANGE OF MOTION

Each projector pivots on a magnetic ball joint that keeps all heads centered in the housing, preserving symmetry within the fixture.

EASY INSTALLATION

Outline is quickly and securely installed within the ceiling with the help of spring arms.



ADAPT TO YOUR SPACE

Outline's recessed version is offered with 1, 2 or 3 projectors, with or without a trim, to suit your needs.

PRODUCT SPECIFICATION

12900-1X1

REG — HO

12900-2X1

REG — HO

12900-3X1

REG — HO

PERFORMANCE

SYSTEM WATTAGE

10.1 W — 15.2 W

18.6 W — 29.6 W

27.5 W — 44.6 W

DELIVERED LUMENS (4000K - WHE)

764 LM — 1245 LM

1528 LM — 2486 LM

2292 LM — 3729 LM

EFFICACY

75 LM/W — 82 LM/W

82 LM/W — 84 LM/W

83 LM/W — 84 LM/W

OTHER INFORMATION

LUMINAIRE'S WEIGHT (UP TO)

3.9 LBS / 1.8 KG

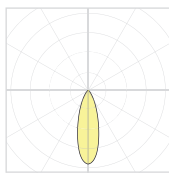
5.5 LBS / 2.5 KG

8.3 LBS / 3.8 KG

EFFICACY MULTIPLIERS

CRI	CCT	FACTOR
80+	4000K	1.00
80+	3500K	0.94
80+	3000K	0.94
80+	2700K	0.94
90+	4000K	0.87
90+	3500K	0.81
90+	3000K	0.81
90+	2700K	0.74

LIGHT DISTRIBUTION



PROJECTOR

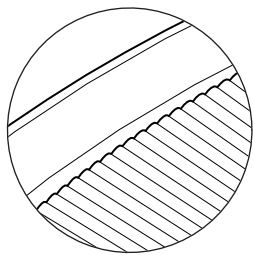


Visit our website for warranty terms and conditions.



TECHNICAL DATA

OUTLINE ENCASTRÉ 12900

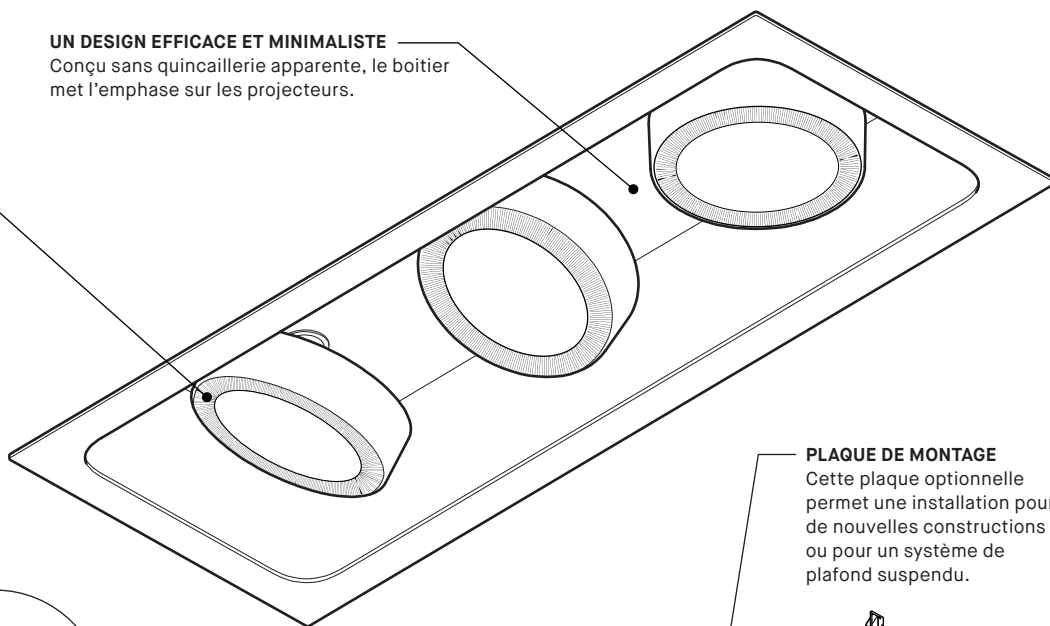


UNE LENTILLE UNIQUE

La conception innovante de la lentille permet de réduire les éblouissements et de produire un faisceau lumineux uniforme, tout en offrant une bonne efficacité optique.

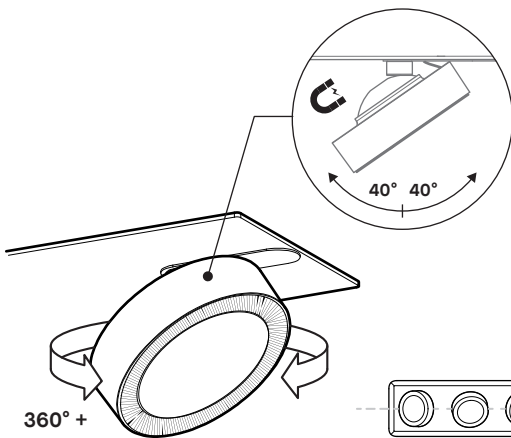
UN DESIGN EFFICACE ET MINIMALISTE

Conçu sans quincaillerie apparente, le boîtier met l'emphase sur les projecteurs.



PLAQUE DE MONTAGE

Cette plaque optionnelle permet une installation pour de nouvelles constructions ou pour un système de plafond suspendu.



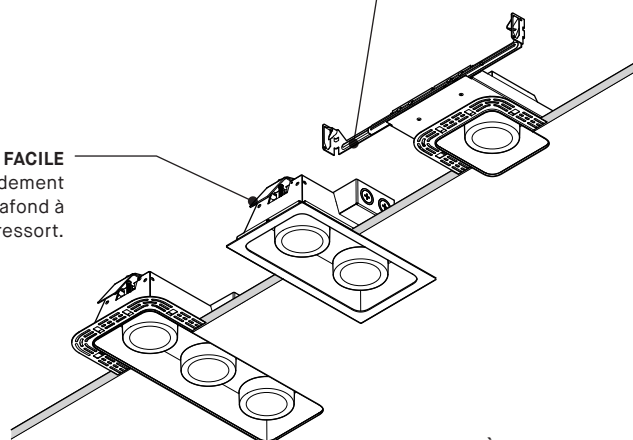
360° +

UN LARGE ÉVENTAIL D'ORIENTATION

Les projecteurs pivotent sur des joints magnétiques à rotule, permettant de les maintenir centrés à l'intérieur du boîtier et ainsi de préserver la symétrie visuelle du luminaire.

INSTALLATION FACILE

Outline s'installe rapidement et fermement au plafond à l'aide de bras à ressort.



ADAPTEZ-LE À VOTRE ESPACE

La version encastrée est offerte avec 1, 2 ou 3 projecteurs, avec bordure ou non afin de convenir à vos besoins.

SPÉCIFICATION PRODUIT

12900-1X1
REG — HO

12900-2X1
REG — HO

12900-3X1
REG — HO

PERFORMANCE

PUISSANCE TOTALE 10.1 W — 15.2 W
LUMENS RÉELS (4000K-WHE) 764 LM — 1245 LM
EFFICACITÉ 75 LM/W — 82 LM/W

18.6 W — 29.6 W
1528 LM — 2486 LM
82 LM/W — 84 LM/W

27.5 W — 44.6 W
2292 LM — 3729 LM
83 LM/W — 84 LM/W

AUTRE INFORMATION

POIDS DU LUMINAIRE (JUSQU'À) 1.1 LBS / 0.5 KG

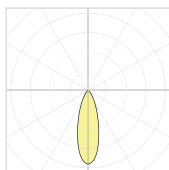
2.9 LBS / 1.3 KG

4.4 LBS / 2.0 KG

FACTEUR D'EFFICACITÉ

IRC	CCT	FACTEUR
80+	4000K	1.00
80+	3500K	0.94
80+	3000K	0.94
80+	2700K	0.94
90+	4000K	0.87
90+	3500K	0.81
90+	3000K	0.81
90+	2700K	0.74

DISTRIBUTION LUMINEUSE



PROJECTEUR



Visitez notre site Web pour les termes et conditions.



DONNÉES TECHNIQUES