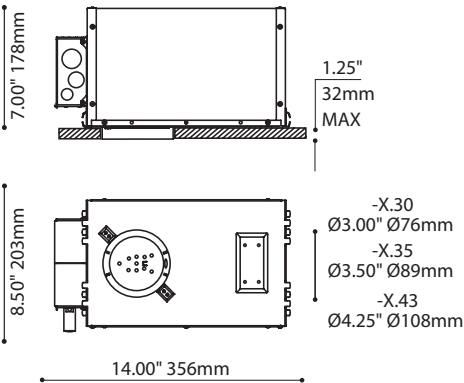
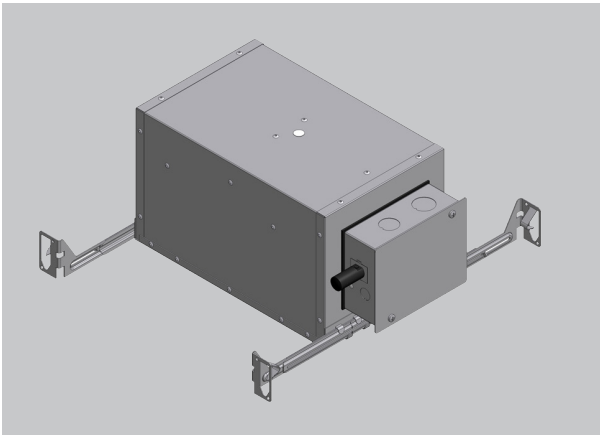


SERIE 171XC3-X.35TL

PROJECT PROJET

SPEC TYPE

NOTES



CUTTING HOLE (.35)



Ø 3.50" (89mm)

PRODUCT CHARACTERISTICS CARACTÉRISTIQUES DU PRODUIT

The 17XXC3 is designed for Air Handling applications and is therefore "Chicago Plenum" ready. This housing is also air-tight, and accommodates both standard and dimmable LED, MR16 and other light sources up to 50W. The 17XXC3 does not have the IC designation.

Le 17XXC3 est conçu spécifiquement pour les installations à retour d'air et est donc conforme aux normes « Chicago Plenum ». Ce boîtier hermétique s'adapte aux lampes halogènes MR16 et à plusieurs autres sources lumineuses allant jusqu'à 50W, avec ou sans option de gradation. Le 17XXC3 n'a pas la certification pour plafonds isolés.

AIR HANDLING & NON-IC RETOUR D'AIR & NON-PI

1704C3-0.35TL.E	16W Max., LED, MR16, GU5.3 Base, Ø3.50", TWIST AND LOCK, 120V ELECT.
1704C3-0.35TL.E.3	16W Max., LED, MR16, GU5.3 Base, Ø3.50", TWIST AND LOCK, 277V ELECT.
1710C3-0.35TL.E	50W, HAL, MR16, GU5.3 BASE, Ø3.50", TWIST AND LOCK, 120/12V ELECT.
1710C3-0.35TL.E.3	50W, HAL, MR16, GU5.3 BASE, Ø3.50", TWIST AND LOCK, 277/12V ELECT.
1712C3-B21.35TL.E.4	13W, CFL, DOUBLE TWIN TUBE, G24Q1 BASE, Ø3.50", TWIST AND LOCK, 347V ELECT.
1712C3-B21.35TL.E.8	13W, CFL, DOUBLE TWIN TUBE, G24Q1 BASE, Ø3.50", TWIST AND LOCK, 120-277V ELECT.
1712C3-B21.35TL.EDM7.8	13W, CFL, DOUBLE TWIN TUBE, G24Q1 BASE, Ø3.50", TWIST AND LOCK, 120-277V ELECT., ADVANCE MARK 7 DIMMING
1714C3-9.35TL.4	4W, EUREKA LED MODULE, Ø3.00", TWIST AND LOCK, 120V ELECT.
1714C3-9.35TL.4.3	4W, EUREKA LED MODULE, Ø3.00", TWIST AND LOCK, 277V ELECT.
1714C3-9.35TL.4.DP	4W, EUREKA LED MODULE, Ø3.50", TWIST AND LOCK, 120V ELECT., PHASE DIMMING
1714C3-9.35TL.4.DV.8	4W, EUREKA LED MODULE, Ø3.50", TWIST AND LOCK, 120-277V ELECT., 0-10V DIMMING