

SAZ 2022B / 4022B

PROJECT PROJÉT

SPEC TYPE

NOTES



359°



180°

OVERALL HEIGHT HAUTEUR HORS TOUT

LIGHT SOURCE	HAL TRACK 1 CIRCUIT	INTRACK 1 CIRCUIT	INTRACK 2 CIRCUIT	INC-HAL
MOUNTING	2734	2734B	2764B	2401E
CABLE	67.60"	66.90"	67.50"	66.55"
STEM	43.20"	42.50"	43.10"	42.15"

FOR 2022B, ADD 1.50" (FOR SWIVEL)

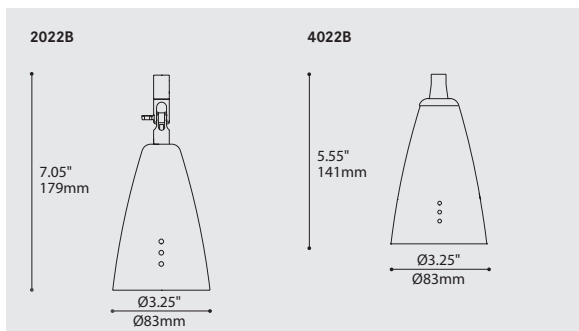
MOUNTING OPTIONS OPTIONS DE MONTAGE

2734	2734B	2764B	2401E
3.85" x 2.03" 98 x 52mm	1.46" x 1.36" 37 x 35mm	3.29" x 1.96" 84 x 48mm	04.5" x 1" 0114 x 25mm

* OVERALL HEIGHT DOES NOT INCLUDE TRACK THICKNESS

STEM OR CABLE OPTIONS OPTIONS DE TIGE OU CABLE

STEM STD 36" 914mm	CABLE STD 60" 1523mm
--------------------------	----------------------------



ORDERING SPECIFICATION SPÉCIFICATION DE COMMANDE

CODE

MODEL MODÈLE

2022B	SAZ (PROJECTOR HEAD)
4022B	SAZ (PENDANT)

LIGHT SOURCE SOURCE LUMINEUSE

(WATTAGE, LAMP TYPE, LAMP FORM, BASE TYPE, OTHER INFO)

MR16C.50		50W, HAL, MR16C, GU5.3 BASE
PAR20.50		50W, INC, PAR20, MEDIUM BASE (120V ONLY)

VOLTAGE VOLTAGE

120V	120 VOLT
277V*	277 VOLT

*NOT AVAILABLE WITH A TRACK ADAPTOR

STEM OR CABLE TIGE OU CABLE

S6	1/4" (6MM) STEM, FIELD ADJUSTABLE
C	CLEAR CABLE FIELD ADJUSTABLE (FOR 4022B ONLY)
-	NO STEM / CABLE

STEM OR CABLE LENGTH LONGUEUR DE TIGE OU CABLE

36	36" STEM (STD LENGTH)
60	60" CABLE (STD LENGTH)
**	CUSTOM STEM LENGTH (MAX 96") (PLEASE SPECIFY)
**	CUSTOM CABLE LENGTH (MAX 180" FOR INC, 96" FOR HAL) (PLEASE SPECIFY)

FOR OVERALL LENGTH PLEASE CONTACT YOUR EUREKA REPRESENTATIVE

MOUNTING MONTAGE

RC		ROUND CANOPY / PAVILLON ROND 1" CANOPY (2401E)
TA1		TRACK ADAPTOR / ADAPTATEUR DE RAIL* 1 CIRCUIT HAL 120/12V ADAPTOR (2734)
TA2		INC 120V ADAPTOR (2734B) 2 CIRCUITS INC 120V ADAPTOR (2764B)

*SEE TRACKS & ACCESSORIES PAGE 505

MOUNTING OPTION OPTION DE MONTAGE

SCA	SLOPE CEILING ADAPTOR / ADAPTATEUR DE PLAFOND EN PENTE (ROTATION: 350°, PIVOT: 90°)
-----	--

TRACK ADAPTOR FINISH FINI ADAPTATEUR DE RAIL^(A)

WH	WHITE
BLK	BLACK
M G	METALLIC GRAY (1 CIRCUIT ONLY)

^(A) FILL IN IF A TRACK ADAPTOR IS SELECTED, OTHERWISE LEAVE EMPTY

STRUCTURE FINISH FINI STRUCTURE^(B)

BLK	BLACK
CHR	CHROME
S C	SATIN CHROME
WH	WHITE

^(B) INCLUDING CANOPY FINISH IF A CANOPY IS SELECTED

PRODUCT CHARACTERISTICS CARACTÉRISTIQUES DU PRODUIT

Design:	Pendant or projector with three distinctive dots
Mounting:	Canopy, track adaptor or sloped ceiling adaptor. Stem and cable length is adjustable on site
Light Source:	PAR20 or MR16 halogen with electronic transformer
Structure:	Die-formed steel shade with chrome plated or polyester powder finish
Certified:	c-CSA-us
Conception:	Suspension ou projecteur avec trois points distincts
Installation:	Sur pavillon, système de rails ou adaptateur pour plafond en pente. Tige et cable ajustable sur le chantier
Source lumineuse:	PAR20 ou halogène MR16 avec transformateur électronique
Structure:	Abat-jour en acier embouti avec fini chromé ou peinture électrostatique à base de polyester
Certifié:	c-CSA-us