

# PIXEL 2026

PROJECT PROJÉT
SPEC TYPE
NOTES



## OVERALL HEIGHT HAUTEUR HORS TOUT

LIGHT SOURCE	LED TRACK 1 CIRCUIT	LED *	LED DIM * -8W 277V *
MOUNTING	2734E	2401C	2403G
STEM 4026	41.05"	38.55"	39.55"
STEM 4064	44.30"	41.80"	42.80"

FOR 2026 /2064 ADD 1.60" FOR SWIVEL  
\*FOR NO STEM / STEM ≤12IN -CANOPY 2401C + ACCESSORY 3983

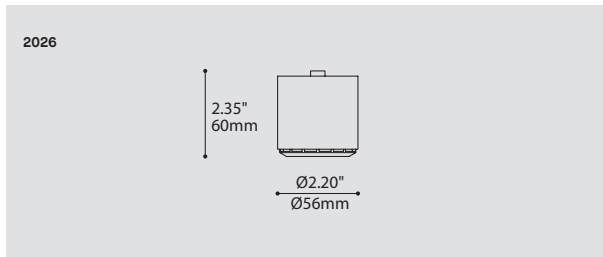
## MOUNTING OPTIONS OPTIONS DE MONTAGE

2734E	2401C	2403G
6.15" x 2.00" 156 x 51mm	Ø4.50" x 0.50" Ø114 x 13mm	Ø4.50" x 1.75" Ø114 x 44mm

\* OVERALL HEIGHT DOES NOT INCLUDE TRACK THICKNESS

## STEM OPTIONS OPTIONS DE TIGE

STEM
STD 36" 914mm



ORDERING SPECIFICATION	SPÉCIFICATION DE COMMANDE	CODE
<b>MODEL MODÈLE</b>	2026 PIXEL (PROJECTOR HEAD)	2026
<b>LIGHT SOURCE SOURCE LUMINEUSE</b>	(WATTAGE, LAMP TYPE, OTHER INFO) LED.4 4W, LED LED.8 8W, LED	
<b>COLOR TEMPERATURE TEMPÉRATURE DE COULEUR</b>	30 3000K 35 3500K 40 4000K	
<b>ANGLE BEAM ANGLE DE FAISCEAU</b>	17 17° 48 48°	
<b>VOLTAGE VOLTAGE</b>	120V 120 VOLT 277V* 277 VOLT *NOT AVAILABLE WITH A TRACK ADAPTOR	
<b>DIMMING OPTION OPTION DE GRADATION</b>	DV* 0-10V DIMMING (120-277V) DP PHASE DIMMING (120V ONLY) *NOT AVAILABLE WITH A TRACK ADAPTOR	
<b>STEM TIGE</b>	S6 1/4" (6MM) STEM, FIELD ADJUSTABLE - NO STEM	
<b>STEM LENGTH LONGUEUR DE TIGE</b>	36 36" STEM (STD LENGTH) ** CUSTOM STEM LENGTH (PLEASE SPECIFY)* FOR OVERALL LENGTH PLEASE CONTACT YOUR EUREKA REPRESENTATIVE. *3983 ACCESSORY PROVIDED FOR STEM/CABLE ≤ 12". EXCEPT LED 8W 120 NON-DIMMING	
<b>MOUNTING MONTAGE</b>	RC* ROUND CANOPY / PAVILLON ROND FOR LED NON-DIMMING & STEM ≤ 12": 0.50" CANOPY (2401C) FOR DIMMING LED & 8W 277V: 1.75" CANOPY (2403G) *CANOPY FINISH ALWAYS CHROME TA1 TRACK ADAPTOR / ADAPTEUR DE RAIL 1 CIRCUIT LED DIMMING & NON-DIMMING 120V ADAPTOR (2734E)	
<b>MOUNTING OPTION OPTION DE MONTAGE</b>	SCA* SLOPE CEILING ADAPTOR / ADAPTEUR DE PLAFOND EN PENTE (ROTATION: 350°, PIVOT: 90°) *ONLY AVAILABLE WITH A STEM	
<b>TRACK ADAPTOR FINISH FINI ADAPTEUR DE RAIL (A)</b>	WH WHITE BLK BLACK (A) FILL IN IF A TRACK ADAPTOR IS SELECTED, OTHERWISE LEAVE EMPTY	
<b>STRUCTURE FINISH FINI STRUCTURE</b>	CHR CHROME	CHR
<b>CYLINDER FINISH FINI CYLINDRE</b>	BLKA BLACK ANODIZED SA SATIN ALUMINUM WHE WHITE FINE TEXTURE	
<b>HEATSINK FINISH FINI RADIATEUR</b>	BLKA BLACK ANODIZED	BLKA
<b>ACCESSORY ACCESSOIRE</b>	3983 DEEP JUNCTION BOX (PROVIDED FOR STEM ≤ 12" AS PER ABOVE)	

## PRODUCT CHARACTERISTICS CARACTÉRISTIQUES DU PRODUIT



<b>DESIGN:</b>	Same beautiful proportions and clean look of the Point, Voxel and Pixel are smaller sized minimalist projectors. Cleverly integrated heat sink with beautiful front edge detail and incredible LED performance in a mini-projector.
<b>OPTIC:</b>	17° or 48° beam angle total internal reflecting (TIR) multi-lens.
<b>STRUCTURE:</b>	Black anodized die-cast aluminum heat sink with CNC machined aluminum housing available in satin aluminum finish, black or white polyester powder finish.
<b>CERTIFIED:</b>	c-CSA-us, c-UL-us

# ANATOMY

BIM

DIM

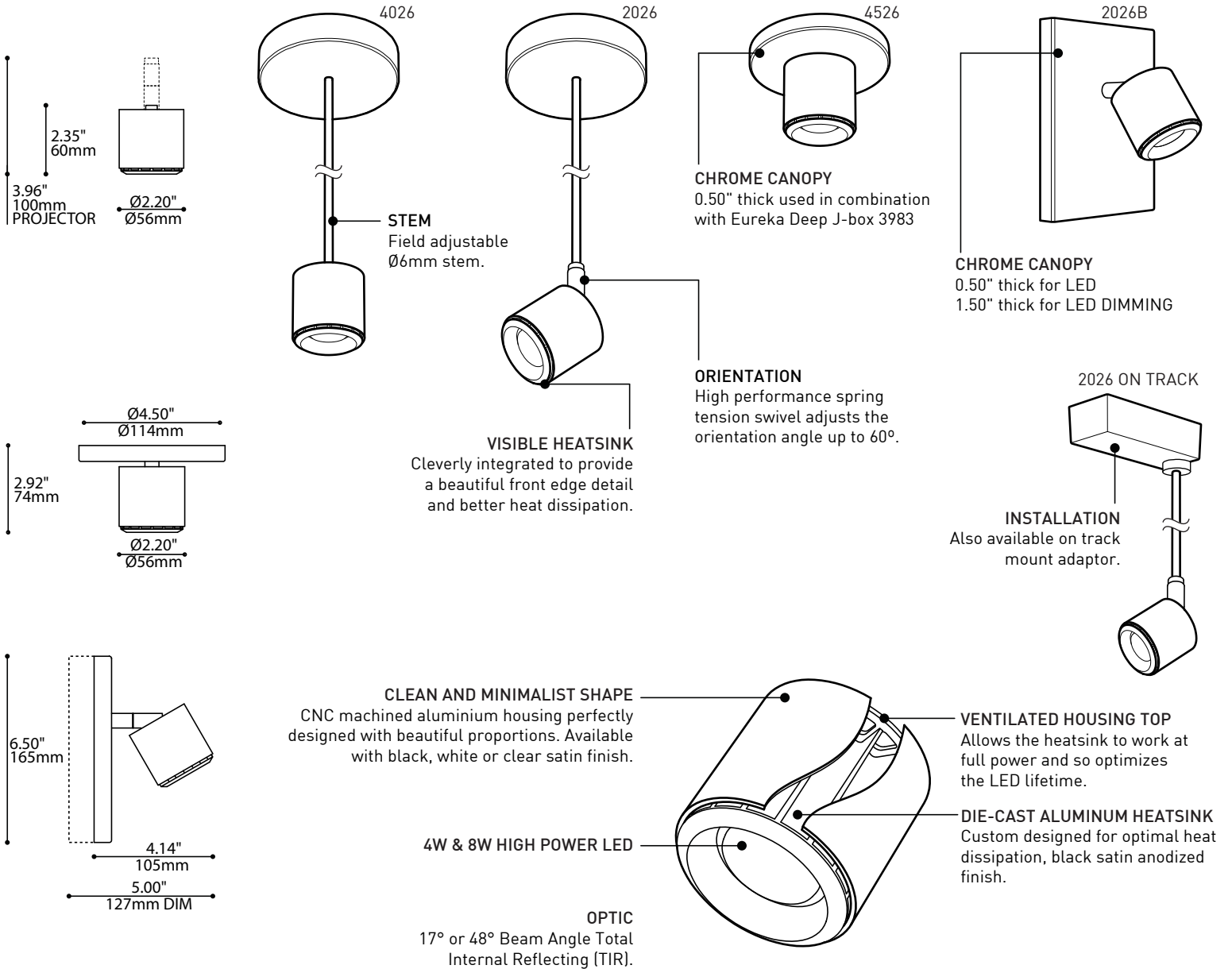
IES

LED

2026  
2026B  
350°

2026  
2026B  
60°

PIXEL



## SPECIFICATIONS

### 4W LED

### 8W LED

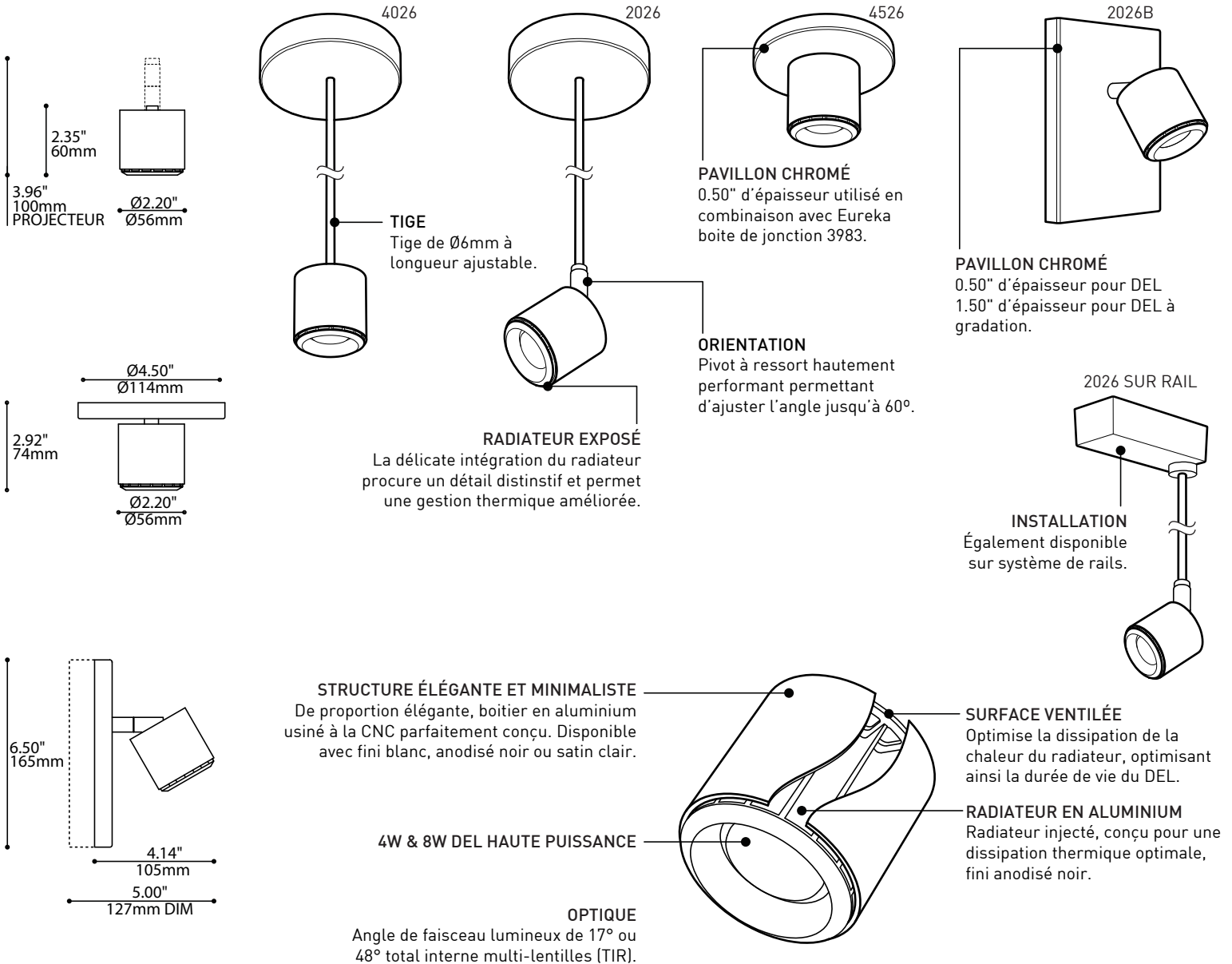
LIGHT SOURCE	4x1W High Power LED on MCPCB - System Wattage 4.8W Total	4x2W High Power LED on MCPCB - System Wattage 9.9W Total
DELIVERED LUMENS	541 lm	1003 lm
CRI	80 CRI (typical)	
CCT	3-step MacAdam Ellipse binning	
HOUSING	Machined aluminium cylinder	
HEATSINK	Black anodized aluminum	
LIGHT DISTRIBUTION	Directional projector (2026/2026B) or Direct (4026/4526)	
OPTICS	Total Internal Reflection (TIR) of 17° & 48° beam angle	
VOLTAGE	120V (DP) and 120-277V (DV)	
DRIVER	Constant Current driver 350mA, UL Recognized	Constant Current driver 700mA, UL Recognized
DIMMING	Phase Dimming (DP) and 0-10V Dimming (DV)	
LM-79	On request	On request
WARRANTY	5 years	



225 de Liège Ouest, Suite #200  
 Montréal (QC), Canada H2P 1H4  
 Tel : 514.385.3515 Fax : 514.385.4169  
 www.eurekalighting.com



2026 4026  
 2026B 4526



## SPECIFICATIONS

SOURCE LUMINEUSE  
LUMENS RÉELS

IRC

CCT

BOÎTIER

RADIATEUR

DISTRIBUTION LUMINEUSE

OPTIQUES

VOLTAGE

PILOTE

GRADATION

LM-79

GARANTIE

## DEL 4W

4 DEL 1W haute puissance - Puissance totale de 4.8W

541 lm

80 CRI (typique)

3-step MacAdam Ellipse binning

Cylindre en aluminium usiné

Aluminium anodisé noir

Projecteur directionnel (2026/2026B) ou Direct (4026/4526)

Angle de faisceau de 17° & 48° Réflexion totale interne (TIR)

120V (DP) et 120-277V (DV)

Courant Constant 350mA, Reconnu UL

DP "phase dimming" et DV "0-10V dimming"

Sur demande

5 ans

## DEL 8W

4 DEL 2W haute puissance - Puissance totale de 9.9W

1003 lm

80 CRI (typique)

3-step MacAdam Ellipse binning

Cylindre en aluminium usiné

Aluminium anodisé noir

Projecteur directionnel (2026/2026B) ou Direct (4026/4526)

Angle de faisceau de 17° & 48° Réflexion totale interne (TIR)

120V (DP) et 120-277V (DV)

Courant Constant 700mA, Reconnu UL

DP "phase dimming" et DV "0-10V dimming"

Sur demande

5 ans