

CONE 2046

PROJECT PROJET

SPEC TYPE

NOTES



OVERALL HEIGHT HAUTEUR HORS TOUT

LIGHT SOURCE	HAL TRACK 1 CIRCUIT	INC TRACK 1 CIRCUIT	INC-HAL
MOUNTING	2734	2734B	2401E
STEM	41.50"	40.85"	40.50"

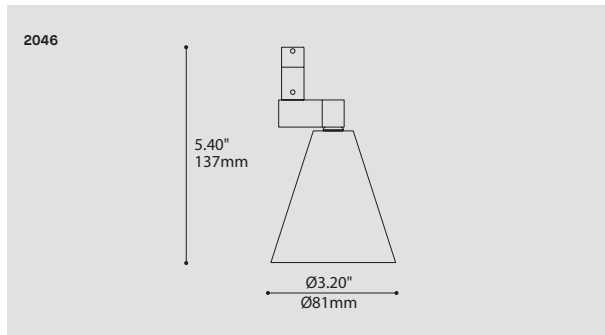
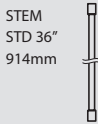
FOR 2046, ADD 1.50" (FOR SWIVEL)

MOUNTING OPTIONS OPTIONS DE MONTAGE

2734	2734B	2401E
3.85" x 2.03" 98 x 52mm	1.46" x 1.36" 37 x 35mm	Ø4.50" x 1.00" Ø114 x 25mm

* OVERALL HEIGHT DOES NOT INCLUDE TRACK THICKNESS

STEM OR CABLE OPTIONS OPTIONS DE TIGE OU CABLE



ORDERING SPECIFICATION SPÉCIFICATION DE COMMANDE

CODE

MODEL MODÈLE

2046 CONE (PROJECTOR HEAD)

2046

LIGHT SOURCE SOURCE LUMINEUSE

(WATTAGE, LAMP TYPE, LAMP FORM, BASE TYPE, OTHER INFO)

MR16C.50 50W, HAL, MR16C, GU5.3 BASE

GZ10.50 50W, HAL, MR16, GZ10 BASE (120V ONLY)

VOLTAGE VOLTAGE

120V 120 VOLT

277V* 277 VOLT

*NOT AVAILABLE WITH A TRACK ADAPTOR

STEM TIGE

S6 1/4" (6MM) STEM, FIELD ADJUSTABLE

- NO STEM

STEM LENGTH LONGUEUR DE TIGE

36 36" STEM (STANDARD LENGTH)

** CUSTOM STEM LENGTH (PLEASE SPECIFY)

FOR OVERALL LENGTH PLEASE CONTACT YOUR EUREKA REPRESENTATIVE.

MOUNTING MONTAGE

RC ROUND CANOPY / PAVILLON ROND
1.00" CANOPY (2401E)

TA1 TRACK ADAPTOR / ADAPTATEUR DE RAIL
1 CIRCUIT
HAL 120/12V ADAPTOR (2734)
GZ10 120V ADAPTOR (2734B)

MOUNTING OPTION OPTION DE MONTAGE

SCA SLOPE CEILING ADAPTOR / ADAPTATEUR DE PLAFOND EN PENTE (ROTATION: 350°, PIVOT: 90°)

TRACK ADAPTOR FINISH FINI ADAPTATEUR DE RAIL^(A)

WH WHITE

BLK BLACK

M G METALLIC GRAY

^(A)FILL IN IF A TRACK ADAPTOR IS SELECTED, OTHERWISE LEAVE EMPTY

STRUCTURE FINISH FINI STRUCTURE^(B)

BLK BLACK

CHR CHROME

S C SATIN CHROME

WH WHITE

^(B)INCLUDE CANOPY FINISH IF A CANOPY IS SELECTED

PRODUCT CHARACTERISTICS CARACTÉRISTIQUES DU PRODUIT



330° 180°

DESIGN:

Retro-classic shaped projector may be mounted using canopy, track adaptor or sloped ceiling adaptor.

LIGHT SOURCE:

MR16 halogen with electronic transformer.

STRUCTURE:

Double layered die-formed steel shade with chrome plated or polyester powder finish. c-CSA-us, c-UL-us

CERTIFIED:

CONCEPTION:

Forme rétro-classique s'installant sur pavillon, système de rails ou adaptateur pour plafond en pente.

SOURCE LUMINEUSE:

Halogène MR16 avec transformateur électronique.

STRUCTURE:

Abat-jour en acier embouti avec fini chromé ou peinture électrostatique à base de polyester. c-CSA-us, c-UL-us

CERTIFIÉ:



SPECIFICATION