

FOCUS 2047

| |
|----------------|
| PROJECT PROJET |
| SPEC TYPE |
| NOTES |



OVERALL HEIGHT HAUTEUR HORS TOUT

| LIGHT SOURCE | LED TRACK 1 CIRCUIT | LED* | LED |
|--------------|---------------------|--------|--------|
| MOUNTING | 2734E | 2401C | 2403G |
| STEM | 41.30" | 39.79" | 41.04" |

* FOR LED NON-IC INSTALLATION

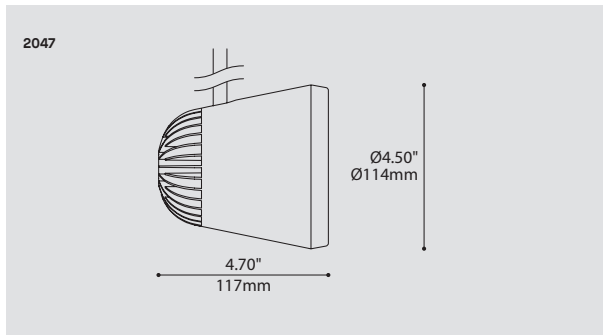
MOUNTING OPTIONS OPTIONS DE MONTAGE

| 2734E | 2401C | 2403G |
|---------------|----------------|----------------|
| 6.15" x 2.00" | Ø4.50" x 0.50" | Ø4.50" x 1.75" |
| 156 x 51mm | Ø114 x 13mm | Ø114 x 44mm |

* OVERALL HEIGHT DOES NOT INCLUDE TRACK THICKNESS

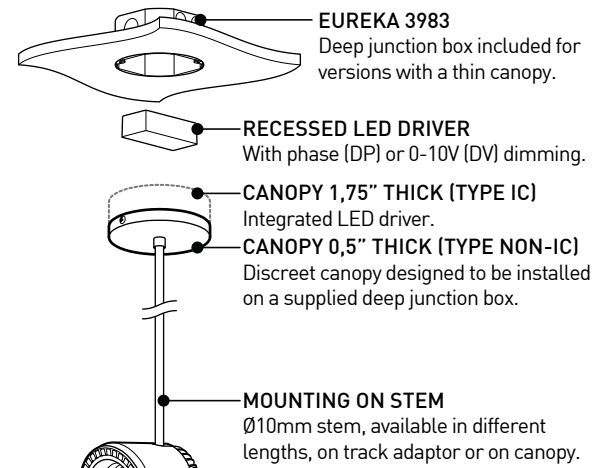
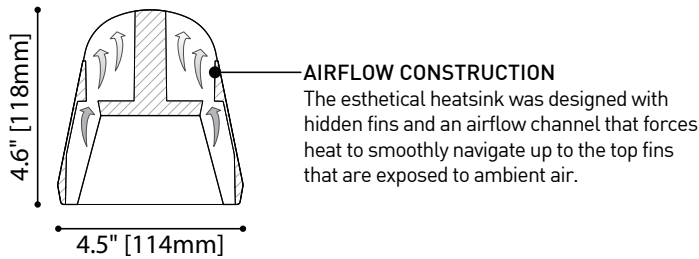
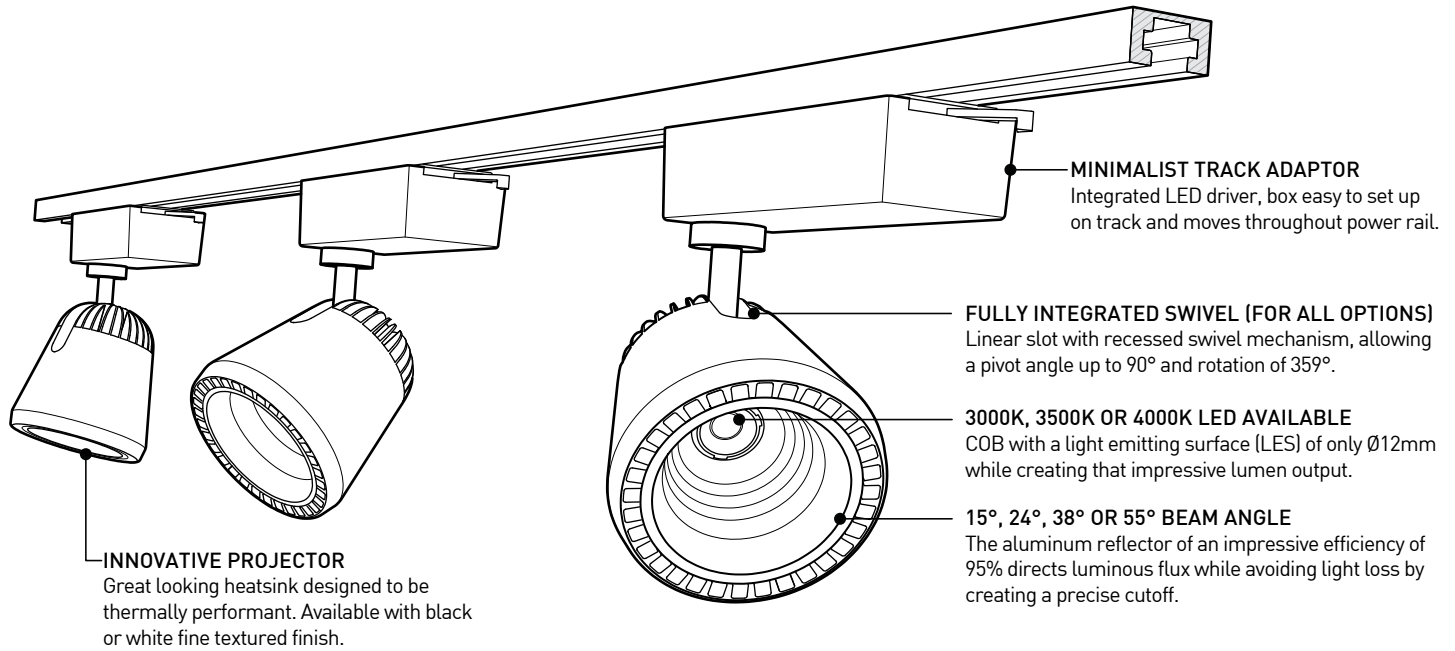
STEM OR CABLE OPTIONS OPTIONS DE TIGE OU CABLE

| | |
|--------------------------|--|
| STEM STD 36" 914mm | |
|--------------------------|--|



ORDERING SPECIFICATION SPÉCIFICATION DE COMMANDE

| MODEL MODÈLE | CODE | | | | |
|---|---|--|------------|--|--|
| 2047 FOCUS | 2047 | | | | |
| LIGHT SOURCE SOURCE LUMINEUSE | | | | | |
| (WATTAGE, LAMP TYPE, OTHER INFO) | | | | | |
| LED.18 | 18W, LED | | | | |
| LED.25 | 25W, LED | | | | |
| COLOR TEMPERATURE TEMPÉRATURE DE COULEUR | | | | | |
| 30 | 3000K | | | | |
| 35 | 3500K | | | | |
| 40 | 4000K | | | | |
| BEAM ANGLE ANGLE DE FAISCEAU | | | | | |
| 15 | 15° | | | | |
| 24 | 24° | | | | |
| 38 | 38° | | | | |
| 55 | 55° | | | | |
| VOLTAGE VOLTAGE | | | | | |
| 120V | 120 VOLT | | | | |
| 277V* | 277 VOLT | | | | |
| *NOT AVAILABLE WITH A TRACK ADAPTOR | | | | | |
| DIMMING OPTION OPTION DE GRADATION | | | | | |
| DV* | 0-10V DIMMING (120-277V) | | | | |
| DP | PHASE DIMMING (120V ONLY) | | | | |
| LED DIMMING DRIVER IS STANDARD IN THIS PRODUCT, PLEASE SPECIFY YOUR DIMMING TYPE. | | | | | |
| *NOT AVAILABLE WITH A TRACK ADAPTOR | | | | | |
| STEM TIGE | | | | | |
| S10 | 3/8" (10MM) STEM, NOT FIELD ADJUSTABLE | | | | |
| - | NO STEM* | | | | |
| *AVAILABLE WITH A TRACK ADAPTOR ONLY | | | | | |
| STEM LENGTH LONGUEUR DE TIGE | | | | | |
| 36 | 36" STEM (STD LENGTH) | | | | |
| ** | CUSTOM STEM LENGTH (PLEASE SPECIFY) | | | | |
| FOR OVERALL LENGTH PLEASE CONTACT YOUR EUREKA REPRESENTATIVE. | | | | | |
| MOUNTING MONTAGE | | | | | |
| RC | ROUND CANOPY / PAVILLON ROND FOR NON-IC INSTALLATION: 0.50" CANOPY (2401C)* FOR IC INSTALLATION: 1.75" CANOPY (2403G) *3983 ACCESSORY PROVIDED FOR 2401C | | | | |
| TA1 | TRACK ADAPTOR / ADAPTEUR DE RAIL 1 CIRCUIT LED DIMMING 120V ADAPTOR (2734E) | | | | |
| MOUNTING OPTION OPTION DE MONTAGE | | | | | |
| SCA | SLOPE CEILING ADAPTOR / ADAPTEUR DE PLAFOND EN PENTE (ROTATION: 350°, PIVOT: 90°) | | | | |
| TRACK ADAPTOR FINISH FINI ADAPTEUR DE RAIL ^(A) | | | | | |
| WH | WHITE | | | | |
| BLK | BLACK | | | | |
| ^(A) FILL IN IF A TRACK ADAPTOR IS SELECTED, OTHERWISE LEAVE EMPTY | | | | | |
| STRUCTURE FINISH FINI STRUCTURE ^(B) | | | | | |
| BLKE | BLACK FINE TEXTURE | | | | |
| WHE | WHITE FINE TEXTURE | | | | |
| ^(B) INCLUDING CANOPY FINISH IF A CANOPY WAS SELECTED | | | | | |
| SHADE FINISH FINI ABAT-JOUR | | | | | |
| BLKE | BLACK FINE TEXTURE | | | | |
| WHE | WHITE FINE TEXTURE | | | | |
| ACCESSORY ACCESSOIRE | | | | | |
| 3983 | DEEP JUNCTION BOX | | | | |
| PRODUCT CHARACTERISTICS CARACTÉRISTIQUES DU PRODUIT | | | | | |
| BIM | DIM | IES | LED | | |
| DESIGN: | | Focus is simply the most powerful spotlight designed by Eureka! This performance is achievable through the combination of a clever heatsink construction, a high quality LED, a carbon thermal interface and an efficient reflector. | | | |
| STRUCTURE: | | The custom built heatsink was designed with hidden fins and an airflow channel that forces heat to smoothly navigate up to the top fins that are exposed to ambient air. Available with black or white architectural grade fine textured finish. | | | |
| REFLECTOR: | | Aluminum reflector with an impressive efficiency of 90% available with 15°, 24°, 38° or 55° beam angle (FWHM). | | | |
| CERTIFIED: | | c-CSA-us, c-UL-us | | | |

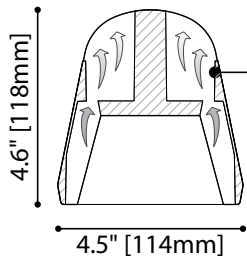
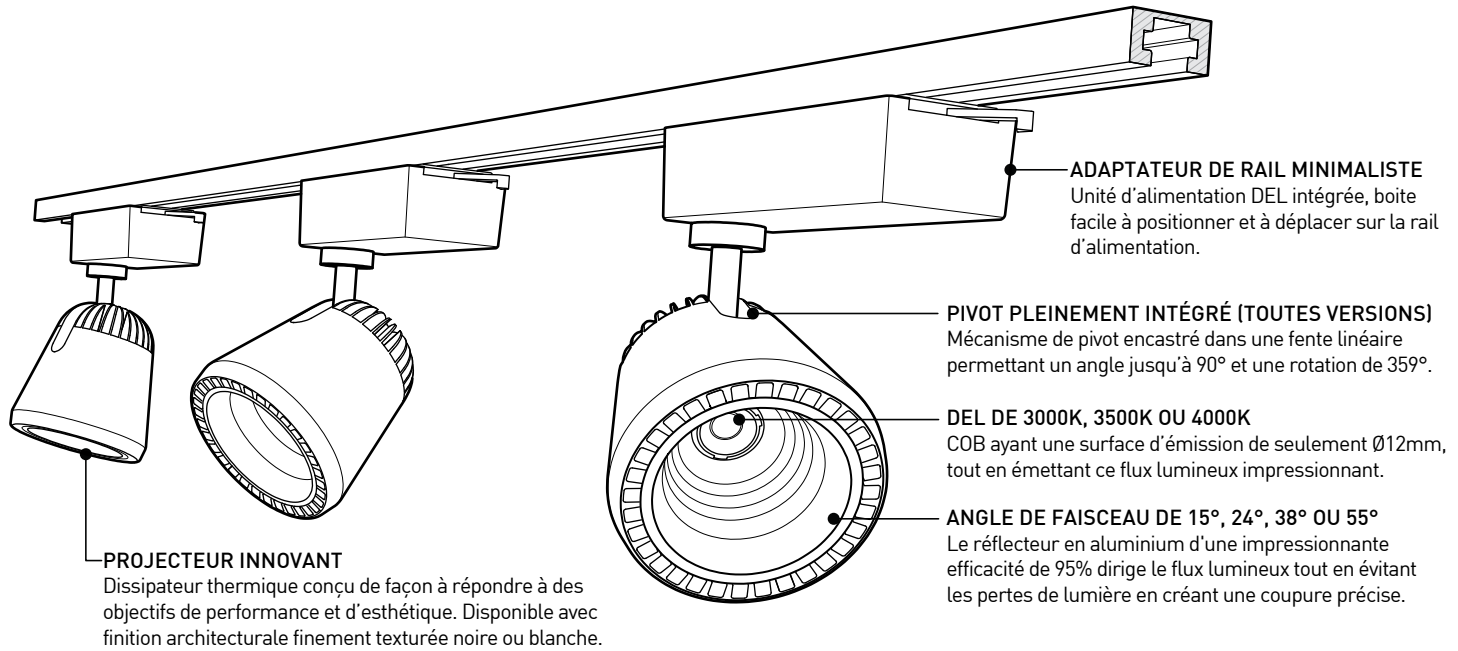


SPECIFICATIONS

LED 18W

LED 25W

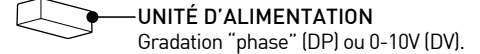
| | | |
|--------------------|--|--|
| LIGHT SOURCE | 1 x COB LED - System Wattage 21.3W Total | 1 x COB LED - System Wattage 30.6W Total |
| DELIVERED LUMENS | 2177 delivered lumens (102lm/W) | 2803 delivered lumens (92lm/W) |
| CRI | 83 CRI | |
| CCT | 3000K, 3500K or 4000K 3-step MacAdam Ellipse binning | |
| HEATSINK | Custom diecast aluminum, black or white fine textured finish | |
| LIGHT DISTRIBUTION | Directional projector (2047 and 4547) | |
| REFLECTOR | Aluminum, FWHM 15°, 24°, 38° or 55° | |
| LED DRIVER | Constant Current 500mA, UL Recognized | Constant Current 700mA, UL Recognized |
| DIMMING (VOLTAGE) | Phase dimming (DP) 120V or 0-10V dimming (DV) 120-277V | |
| LM-79 | Upon request | |
| WARRANTY | 5 years | |



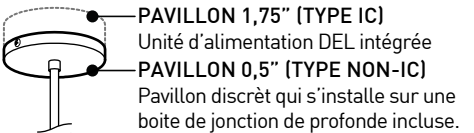
CONSTRUCTION AVEC VENTILATION
Le radiateur esthétique intègre des ailettes cachées et un canal de ventilation, qui pousse la chaleur vers la section supérieure exposée à l'air ambiant.



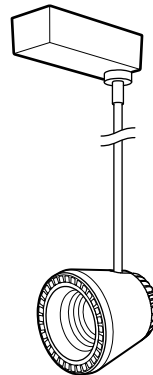
EUREKA 3983
Boîte de jonction profonde pour les versions sur pavillon mince.



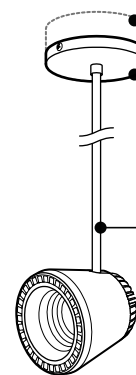
UNITÉ D'ALIMENTATION
Gradation "phase" (DP) ou 0-10V (DV).



PAVILLON 1,75" (TYPE IC)
Unité d'alimentation DEL intégrée
PAVILLON 0,5" (TYPE NON-IC)
Pavillon discret qui s'installe sur une boîte de jonction de profonde incluse.

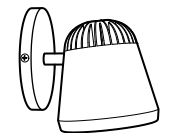


2047
TIGE SUR RAIL

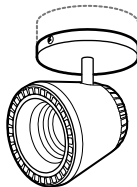


2047
TIGE SUR PAVILLON

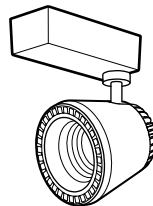
MONTAGE SUR TIGE
Tige de Ø10mm, disponible en plusieurs longueurs, sur adaptateur de rail ou sur pavillon.



4547
PAVILLON (MURAL)



4547
PAVILLON (PLAFOND)



2047
SUR RAIL

SPECIFICATIONS

SOURCE LUMINEUSE
LUMENS RÉELS ESTIMÉS
IRC
CCT
RADIATEUR
DISTRIBUTION LUMINEUSE
RÉFLECTEUR
UNITÉ D'ALIMENTATION
GRADATION (VOLTAGE)
LM-79
GARANTIE

DEL 18W

1 DEL "COB" - Puissance totale de 21,3W
2177 lumens réels (102 lm/W)
83 CRI
3000K, 3500K or 4000K 3-step MacAdam Ellipse binning
Aluminium moulé, finition noire ou blanche finement texturée
Projecteur directionnel (2047 and 4547)
Aluminium, FWHM 15°, 24°, 38° ou 55°
Courant constant de 500mA, Reconnu par UL
Gradation "phase" (DP) 120V ou gradation 0-10V (DV) 120-277V
Sur demande
5 ans

DEL 25W

1 DEL "COB" - Puissance totale de 30,6W
2803 lumens réels (92 lm/W)
Courant constant de 700mA, Reconnu par UL