

PIVOT 2050

PROJECT PROJÉT
SPEC TYPE
NOTES



OVERALL HEIGHT HAUTEUR HORS TOUT

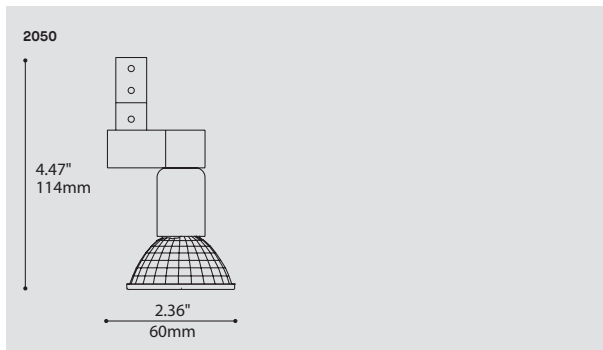
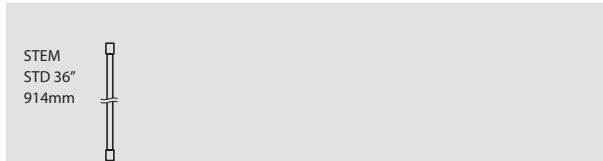
LIGHT SOURCE	HAL TRACK I CIRCUIT	INC TRACK I CIRCUIT	INC-HAL
MOUNTING	2734	2734B	2401E
STEM	42.10"	41.45"	41.10"

MOUNTING OPTIONS OPTIONS DE MONTAGE

2734	2734B	2401E
3.85" x 2.03"	1.46" x 1.36"	Ø4.50" x 1.00"
98 x 52mm	37 x 35mm	Ø114 x 25mm

* OVERALL HEIGHT DOES NOT INCLUDE TRACK THICKNESS

STEM OPTIONS OPTIONS DE TIGE



ORDERING SPECIFICATION SPÉCIFICATION DE COMMANDE

MODEL MODÈLE CODE

2050 PIVOT 2050

LIGHT SOURCE SOURCE LUMINEUSE

(WATTAGE, LAMP TYPE, LAMP FORM, BASE TYPE, OTHER INFO)
MR16C.50 50W, HAL, MR16C, GU5.3 BASE
GZ10.50 50W, HAL, MR16, GZ10 BASE (120V ONLY)

VOLTAGE VOLTAGE

120V 120 VOLT
277V* 277 VOLT
*NOT AVAILABLE WITH A TRACK ADAPTOR

STEM TIGE

S6 1/4" (6MM) STEM, FIELD ADJUSTABLE
- NO STEM

STEM LENGTH LONGUEUR DE TIGE

36 36" STEM (STD LENGTH)
****** CUSTOM STEM LENGTH (PLEASE SPECIFY)*
FOR OVERALL LENGTH PLEASE CONTACT YOUR EUREKA REPRESENTATIVE.

MOUNTING MONTAGE

RC ROUND CANOPY / PAVILLON ROND
 1.00" CANOPY (2401E)

TA1 TRACK ADAPTOR / ADAPTEUR DE RAIL*
 1 CIRCUIT
 HAL 120/12V ADAPTOR (2734)
 GZ10 120V ADAPTOR (2734B)

MOUNTING OPTION OPTION DE MONTAGE

SCA SLOPE CEILING ADAPTOR / ADAPTEUR DE PLAFOND EN PENTE (ROTATION: 350°, PIVOT: 90°)

TRACK ADAPTOR FINISH FINI ADAPTEUR DE RAIL^(A)

WH WHITE
BLK BLACK
M G METALLIC GRAY
^(A) FILL IN IF A TRACK ADAPTOR IS SELECTED, OTHERWISE LEAVE EMPTY

STRUCTURE FINISH FINI STRUCTURE^(B)

BLK BLACK
CHR CHROME
S C SATIN CHROME
WH WHITE
^(B) INCLUDE CANOPY FINISH IF A CANOPY IS SELECTED

PRODUCT CHARACTERISTICS CARACTÉRISTIQUES DU PRODUIT



DESIGN: Simple yet robust design in an MR16 projector.
LIGHT SOURCE: MR16 halogen with electronic transformer. Track adaptor available.
STRUCTURE: Die-formed steel with machined brass & spring swivel. Available in four plated or painted finishes.
CERTIFIED: c-CSA-us, c-UL-us
CONCEPTION: Projecteur MR16 simple et robuste.
SOURCE LUMINEUSE: Halogène MR16 avec transformateur électronique. Système de rails offert.
STRUCTURE: Acier embouti avec laiton usiné et pivot à ressort. Offert en quatre finis plaqués ou peints.
CERTIFIÉ: c-CSA-us, c-UL-us