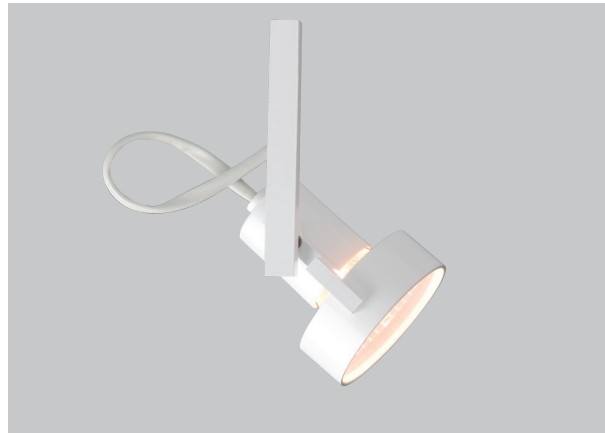


ARA 2172

PROJECT PROJÉT
SPEC TYPE
NOTES



OVERALL HEIGHT HAUTEUR HORS TOUT

LIGHT SOURCE	HAL TRACK 1 CIRCUIT	INC TRACK 1 CIRCUIT	INC TRACK 2 CIRCUIT	INC-HAL
MOUNTING	2734	2734B	2764B	2401E
STEM	42.10"	42.35"(2173)	42.95"(2173)	41.10"

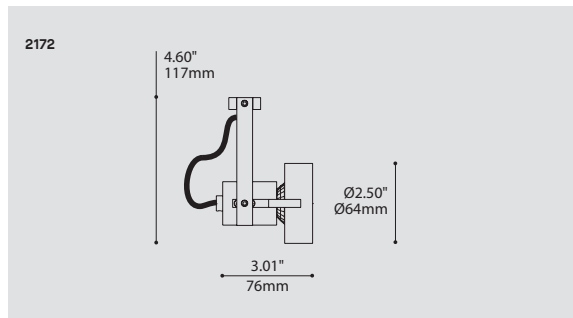
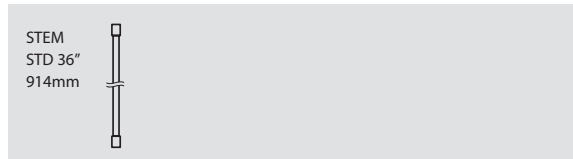
* FOR 2173, ADD 0.40"

MOUNTING OPTIONS OPTIONS DE MONTAGE

2734	2734B	2764B	2401E
3.85" x 2.03" 98 x 52mm	1.46" x 1.36" 37 x 35mm	3.29" x 1.96" 84 x 48mm	Ø4.50" x 1.00" Ø114 x 25mm

* OVERALL HEIGHT DOES NOT INCLUDE TRACK THICKNESS

STEM OR CABLE OPTIONS OPTIONS DE TIGE OU CABLE



ORDERING SPECIFICATION SPÉCIFICATION DE COMMANDE

MODEL MODÈLE	CODE
ARA	2172
LIGHT SOURCE SOURCE LUMINEUSE	
(WATTAGE, LAMP TYPE, LAMP FORM, BASE TYPE, OTHER INFO)	
MR16C.50	50W, HAL, MR16C, GU5.3 BASE
VOLTAGE VOLTAGE	
120V	120 VOLT
277V*	277 VOLT
	*NOT AVAILABLE WITH A TRACK ADAPTOR
STEM TIGE	
S6	1/4" (6MM) STEM, FIELD ADJUSTABLE
-	NO STEM
STEM LENGTH LONGUEUR DE TIGE	
36	36" STEM (STD LENGTH)
**	CUSTOM STEM LENGTH (MIN 2") (PLEASE SPECIFY) FOR OVERALL LENGTH PLEASE CONTACT YOUR EUREKA REPRESENTATIVE
MOUNTING MONTAGE	
RC	ROUND CANOPY / PAVILLON ROND 1" CANOPY (2401E)
TA1	TRACK ADAPTOR / ADAPTATEUR DE RAIL 1 CIRCUIT HAL 120V/12V ADAPTOR (2734) INC 120V ADAPTOR (2734B)
TA2	2 CIRCUITS INC 120V ADAPTOR (2764B)
MOUNTING OPTION OPTION DE MONTAGE	
SCA	SLOPE CEILING ADAPTOR / ADAPTATEUR DE PLAFOND EN PENTE (ROTATION: 350°, PIVOT: 90°)
TRACK ADAPTOR FINISH FINI ADAPTATEUR DE RAIL^(A)	
WH	WHITE
BLK	BLACK
M G	METALLIC GRAY (1 CIRCUIT ONLY)
	^(A) FILL IN IF A TRACK ADAPTOR IS SELECTED, OTHERWISE LEAVE EMPTY
STRUCTURE FINISH FINI STRUCTURE^(B)	
M G	METALLIC GRAY
WH	WHITE
	^(B) INCLUDE CANOPY FINISH IF A CANOPY IS SELECTED

PRODUCT CHARACTERISTICS CARACTÉRISTIQUES DU PRODUIT



DESIGN: Basic geometric forms create an architectural look with lockable aiming angle to simplify re-lamping.

LIGHT SOURCE: MR16, PAR20 available with one or two circuit track adaptor.

STRUCTURE: Die-formed steel with machined steel construction. Available in two polyester powder finishes.

CERTIFIED: c-CSA-us, c-UL-us

CONCEPTION: Conception architecturale issue de formes simples et géométriques. Verrou d'angle de visée pour faciliter le remplacement de la lampe.

SOURCE LUMINEUSE: MR16, PAR20 disponibles avec un système de rails à un ou deux circuits.

STRUCTURE: Acier embouti et usiné. Disponible en deux teintes de peinture électrostatique à base de polyester.

CERTIFIÉ: c-CSA-us, c-UL-us