

SPIN 3036

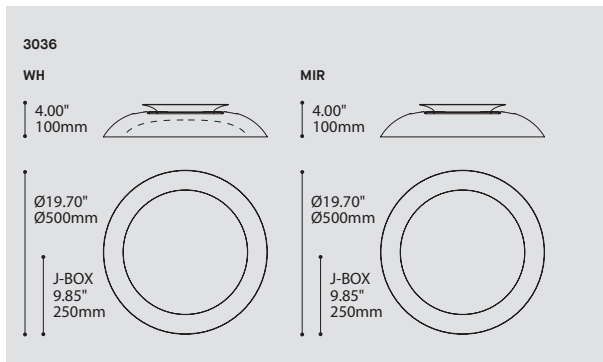
| |
|----------------|
| PROJECT PROJET |
| SPEC TYPE |
| NOTES |



OPTIONS



3036-MIR



ORDERING SPECIFICATION SPÉCIFICATION DE COMMANDE

| MODEL MODÈLE | CODE |
|--|---|
| 3036 SPIN | 3036 |
| LIGHT SOURCE SOURCE LUMINEUSE | |
| (WATTAGE, LAMP TYPE, LAMP FORM, BASE TYPE, OTHER INFO) | |
| 3036 | |
| F.T5.C.22 | 22W, FLUO, CIRCULAR T5, 2GX13 BASE |
| LED | REGULAR OUTPUT |
| LED.HO | HIGH OUTPUT |
| COLOR TEMPERATURE TEMPÉRATURE DE COULEUR | |
| FOR LED ONLY | |
| 30 | 3000K |
| 35 | 3500K |
| 40 | 4000K |
| VOLTAGE VOLTAGE | |
| 120V | 120 VOLT |
| 277V | 277 VOLT |
| 347V* | 347 VOLT |
| *ONLY AVAILABLE WITH F.T5.C.22 & F.T5.C.40 | |
| DIMMING OPTION OPTION DE GRADATION | |
| FOR LED ONLY | |
| DV | 0-10V DIMMING (120-277V) |
| DP | PHASE DIMMING (120V ONLY) |
| LED DIMMING DRIVER IS STANDARD IN THIS PRODUCT. PLEASE SPECIFY YOUR DIMMING TYPE. | |
| EMERGENCY BATTERY BATTERIE D'URGENCE | |
| FOR F.T5.C.40, 120V OR 277V ONLY. ⁽¹⁾ 3981B ACCESSORY IS REQUIRED FOR THIS OPTION | |
| REM ⁽¹⁾ | RECESSED EMERGENCY BATTERY |
| STRUCTURE FINISH FINI STRUCTURE | |
| WHE | WHITE FINE TEXTURE |
| DECORATIVE PLATE FINISH FINI PLAQUE DÉCORATIVE | |
| WHE | WHITE FINE TEXTURE |
| MIR | MIRROR |
| ACCESSORY ACCESSOIRE | |
| 3981B* | JUNCTION BOX FOR CIRCULAR T5 REMOTE EMERGENCY BATTERY |

PRODUCT CHARACTERISTICS CARACTÉRISTIQUES DU PRODUIT



| | |
|--------------------------|---|
| DESIGN: | Concentric parabolic reflectors create a simple and elegant direct and indirect lighting. |
| LIGHT SOURCE: | High power LED or T5 Circline sources available. Remote EM also available. |
| STRUCTURE: | Die-spun steel structure with white fine texture finish. The front plate is available in white or with a shatter proof mirror. |
| DIFFUSER: | Vacuum formed frosted polymer. |
| CERTIFIED: | c-CSA-us, c-UL-us |
| CONCEPTION: | Réflecteurs paraboliques concentriques créant un éclairage simple et élégant, direct et indirect. |
| SOURCE LUMINEUSE: | DEL haute performance ou T5 circulaire. Batterie d'urgence à distance offerte. |
| STRUCTURE: | Structure d'acier embouti avec fini blanc texturé. La plaque frontale décorative est offerte en blanc ou avec un miroir incassable. |
| DIFFUSEUR: | Polymère givré thermoformé. |
| CERTIFIÉ: | c-CSA-us, c-UL-us |

FAMILY FAMILLE

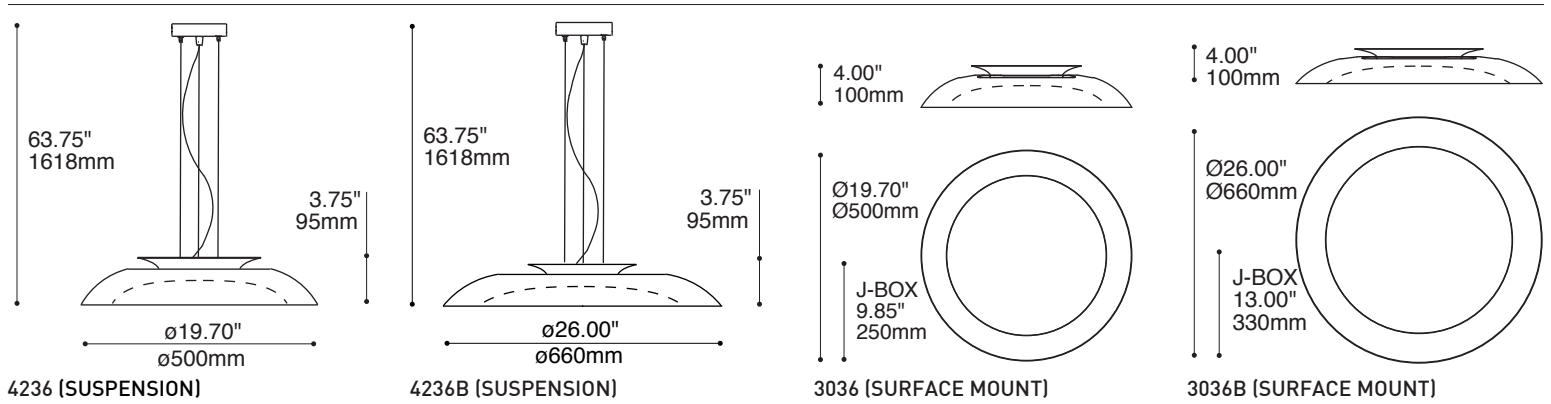
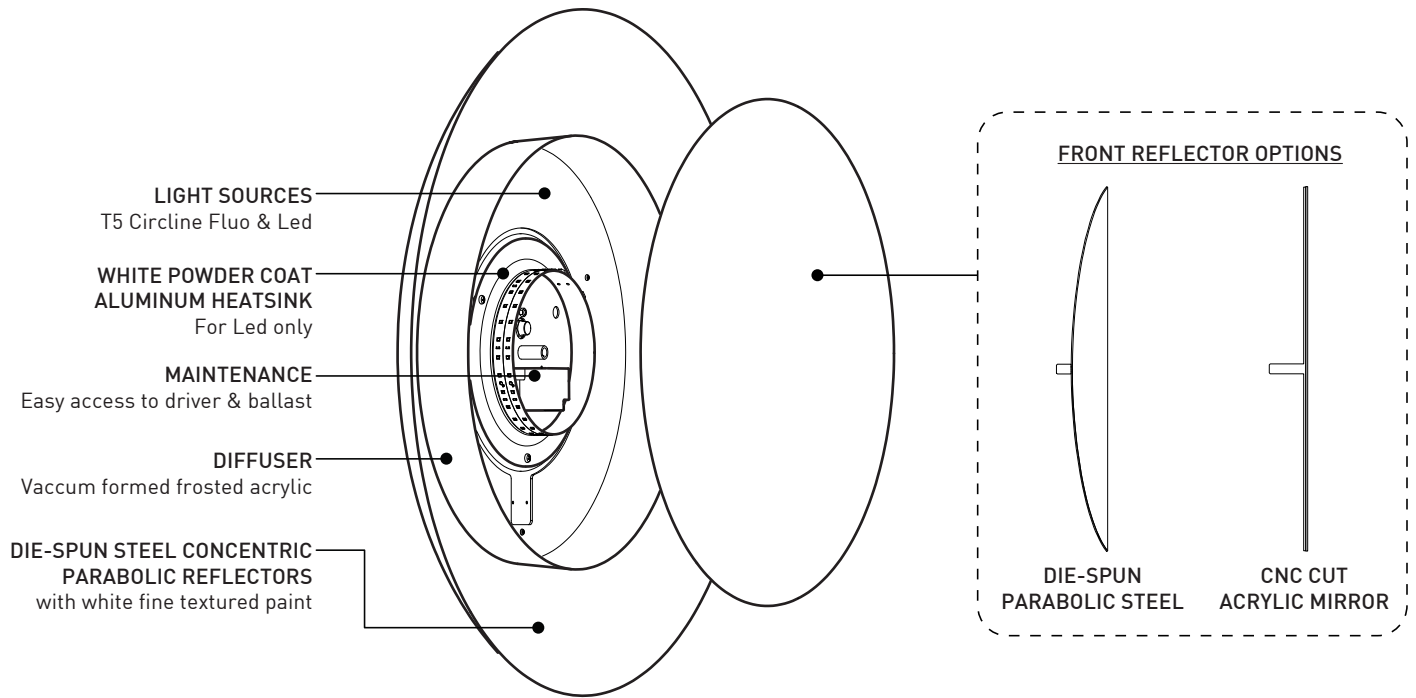


3036

4236

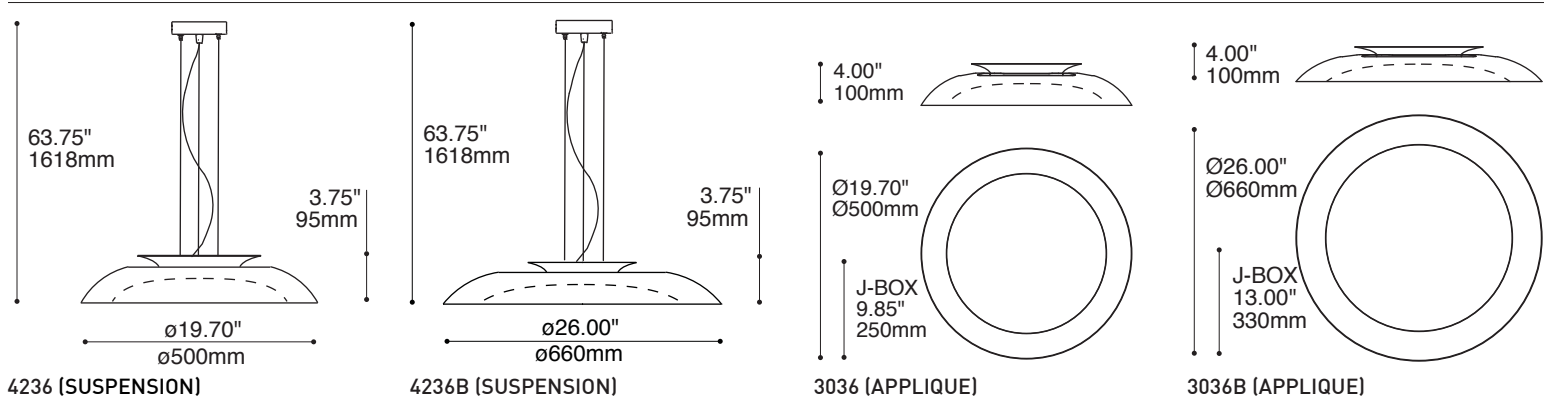
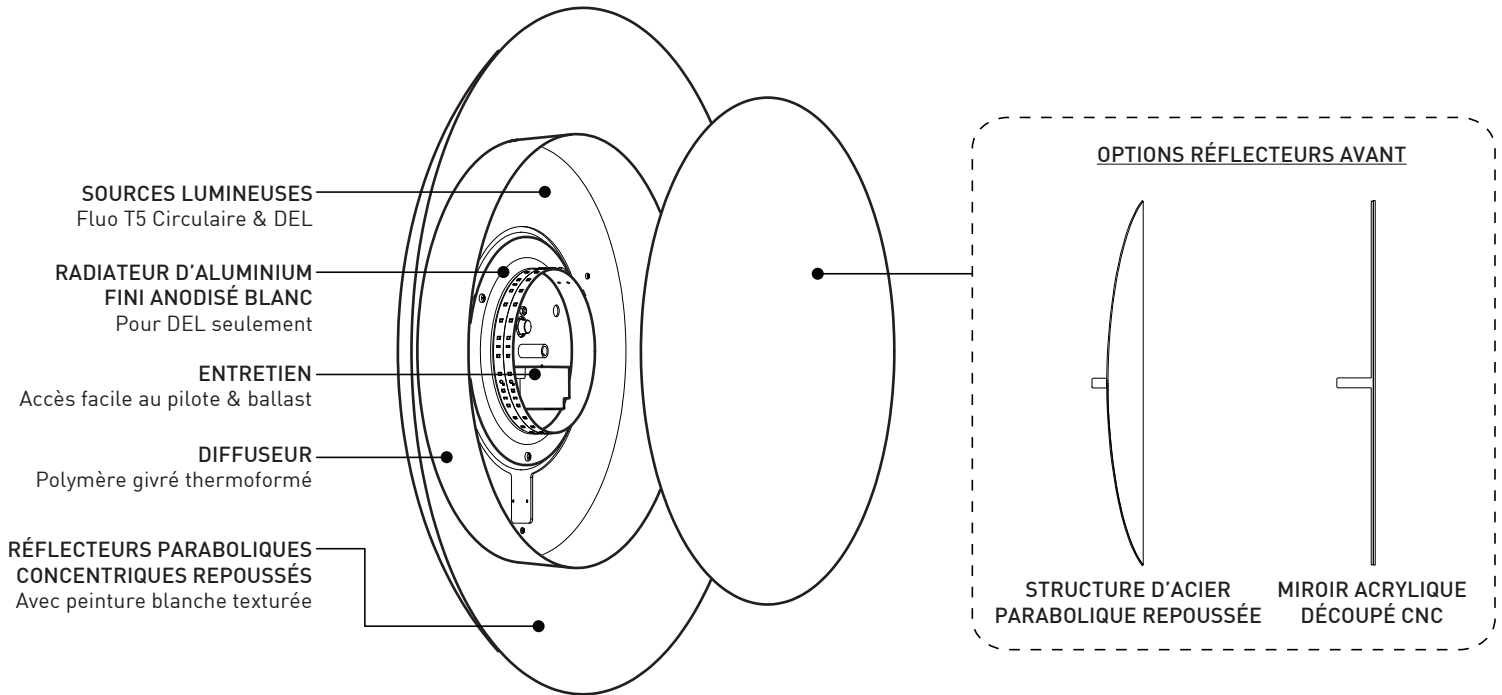
3036B

4236B



SPECIFICATIONS

| | LED | FLUORESCENT |
|--------------------|---|--|
| LIGHT SOURCE | 39 x Mid power LED (Reg) & 78 x Mid power LED (HO) | 22W - 40W T5 CIRCLINE |
| DELIVERED LUMENS | 1347 lm (Reg) & 2602 lm (HO) | 1800 lm [XX36-FT5C22] & 3300 lm [XX36B-FT5C40] |
| SYSTEM WATTAGE | 17W (Reg) & 32W (HO) | 25W [XX36-FT5C22] & 60W [XX36B-FT5C40] |
| CRI | 80 CRI (typical) | N/A |
| LIGHT DISTRIBUTION | Direct-Indirect | |
| MODULE | UL Recognized - Proprietary design - Made in USA | N/A |
| STRUCTURE | Die-spun steel structure + Mirror (MIR option) | |
| VOLTAGE | 120V or 277V | 120 or 277V and 347V |
| DRIVER | Constant current 350mA (Reg) or 700mA (HO), UL recognized | Advance Smartmade or equivalent |
| DIMMING | Phase dimming (DP) and 0-10V dimming (DV) | N/A |
| LM-79 | Available on request | |
| WARRANTY | 5 years | 3-5 years (on ballast, depending of the ballast) |



SPECIFICATIONS

| | DEL | FLUORESCENT |
|------------------------|--|--|
| SOURCE LUMINEUSE | 39 x DEL (Reg) & 78 x DEL (HO) | 22W - 40W T5 CIRCULAIRE |
| LUMENS (LIVRÉS) | 1347 lm (Reg) & 2602 lm (HO) | 1800 lm (XX36-FT5C22) & 3300 lm (XX36B-FT5C40) |
| CONSOMMATION TOTALE | 17W (Reg) & 32W (HO) | 25W (XX36-FT5C22) & 60W (XX36B-FT5C40) |
| IRC | 85 IRC (typique) | N/A |
| DISTRIBUTION LUMINEUSE | Direct-Indirect | |
| MODULE | Reconnu par UL - Fabriqué aux États-Unis | N/A |
| STRUCTURE | Structure d'acier repoussé + Miroir (option MIR) | |
| VOLTAGE | 120V ou 277V | 120 ou 277V et 347V |
| PILOTE | 350mA (Reg) ou 700mA (HO) | Advance Smartmade ou équivalent |
| GRADATION | Phase (DP) ou 0-10V (DV) | N/A |
| URGENCE | | Batterie d'urgence à distance pour FT5C40 |
| LM-79 & ROHS | Sur demande & Conforme | |
| GARANTIE | 5 ans (sur les composantes électroniques) | 3-5 ans (sur le ballast, selon le ballast) |