

SILENE CLASSIC 3156B-JMJ

PROJECT PROJET

SPEC TYPE

NOTES

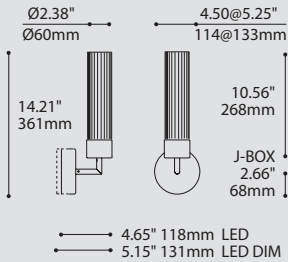


OPTIONS



JMJ-CLR

3156B-JDJ/3156B-JDJA



ORDERING SPECIFICATION SPÉCIFICATION DE COMMANDE

CODE

MODEL MODÈLE

3156B-JMJ

3156B-JMJ SILENE CLASSIC JMJ

LIGHT SOURCE SOURCE LUMINEUSE

LED.4

(WATTAGE, LAMP TYPE, LAMP FORM, BASE TYPE, OTHER INFO)

LED.4 4W, LED

COLOR TEMPERATURE TEMPÉRATURE DE COULEUR

27 2700K

30 3000K

35 3500K

40* 4000K

*LONGER LEAD TIME MAY APPLY, PLEASE CONTACT YOUR EUREKA REPRESENTATIVE

COLOR RENDERING INDEX (CRI) INDICE DE RENDU DE COULEUR (IRC)

90

90 90+ CRI

VOLTAGE VOLTAGE

120V 120 VOLT

277V 277 VOLT

DIMMING OPTION OPTION DE GRADATION

DV 0-10V DIMMING (120-277V)

DP PHASE DIMMING (120V ONLY)

MOUNTING MONTAGE

RC

RC ROUND CANOPY / PAVILLON ROND

FOR LED: 1.00" CANOPY (2401E)

FOR LED DIMMABLE: 1.75" CANOPY (2403G)

STRUCTURE FINISH FINI STRUCTURE

SC SATIN CHROME

CHR CHROME

DIFFUSER FINISH FINI DIFFUSEUR

CLR

CLR CLEAR

PRODUCT CHARACTERISTICS CARACTÉRISTIQUES DU PRODUIT



DESIGN:

Classic, contemporary sconce with mitred stem and screw mount diffuser.

LIGHT SOURCE:

LED light source.

STRUCTURE:

Die-stamped steel and tubular steel structure with plated finish.

DIFFUSER:

Hand blown frosted or white triplex glass (JDJ) or extruded clear ribbed glass (JMJ). Also available with a closed top acrylic shade (JDJA).

CERTIFIED:

c-CSA-us

CONCEPTION:

Applique cylindrique contemporaine et classique munie d'une tige et d'un filet pour visser le diffuseur.

SOURCE LUMINEUSE:

Source lumineuse DEL.

STRUCTURE:

Acier embouti et structure d'acier tubulaire plaqués.

DIFFUSEUR:

Verre triplex givré ou blanc soufflé à la main (JDJ) ou extrudé strié clair (JMJ). Aussi offert avec un diffuseur en acrylique au dessus fermé (JDJA).

CERTIFIÉ:

c-CSA-us

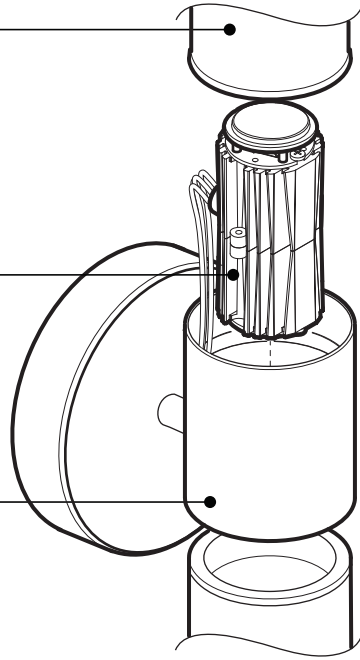
FAMILY FAMILLE



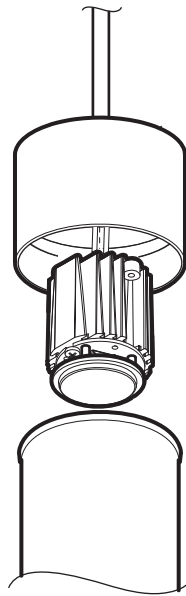
4156B-JMJ

WALL MOUNT 3155B-JMJ/JDJ/JDJA

- SCREW MOUNT GLASS
JMJ-CLR
Extruded clear or frosted ribbed glass
- JDJ-WH/FRO
Hand blown white triplex glass
- JDJA-WH
Closed top white acrylic shade
- LED MODULE WITH DIE-CAST ALUMINUM HEATSINK (DOUBLE FOR 3155B)
Black anodized for improved thermal management
- STRUCTURE
Die-stamped steel with plated finish

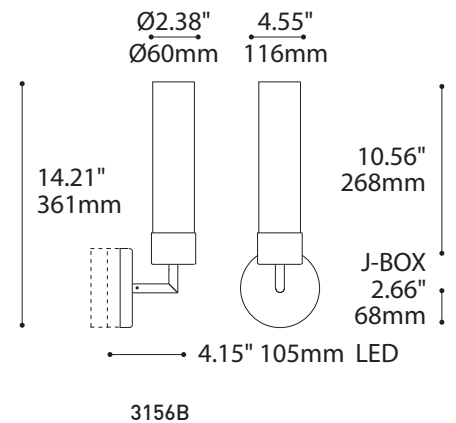
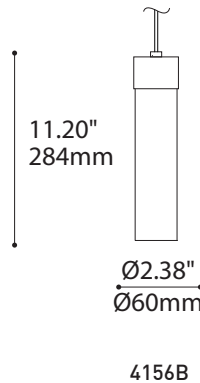
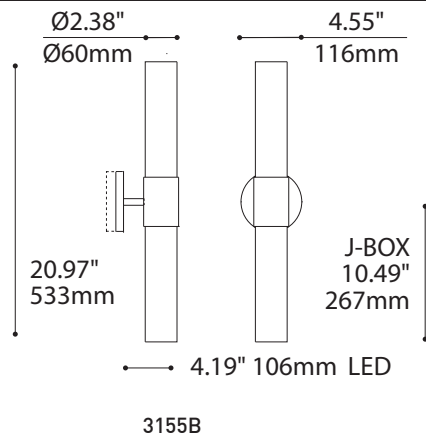
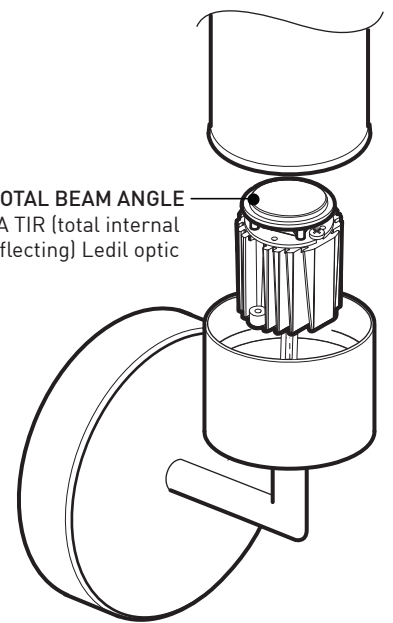


SUSPENSION 4156B-JMJ/JDJ/JDJA



WALL MOUNT 3156B-JMJ/JDJ/JDJA

- 48° TOTAL BEAM ANGLE
PMMA TIR (total internal reflecting) Ledil optic



SPECIFICATIONS

- LIGHT SOURCE
- MODULE
- LUMENS (DELIVERED)
- CRI
- ROHS
- VOLTAGE
- DRIVER
- DIMMING
- WARRANTY
- LM-79 & CERTIFICATION

3155B LED

2 x Nichia - total ±8 w
 UL recognized - made in USA
 880 lm (JDJ-WH) / 626 lm (JDJA-WH)
 85 CRI (typical)
 Compliant
 120V - 277V
 350 mA
 Phase dimming (DP) & 0-10V Dimming (DV)
 5 years (on electronic components)
 On request & CSA recognized

4156B /3156B LED

1 x Nichia - total ±4 w
 440 lm (JDJ-WH) / 312 lm (JDJA-WH)
 120V or 277V
 350 mA

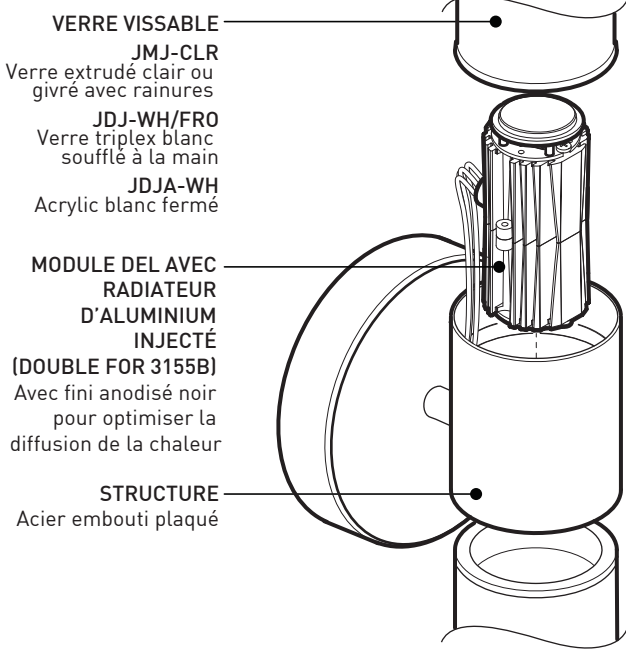


225 de Liège Ouest, Suite #200
 Montréal (QC), Canada H2P 1H4
 Tel : 514.385.3515 Fax : 514.385.4169
 www.eurekalighting.com

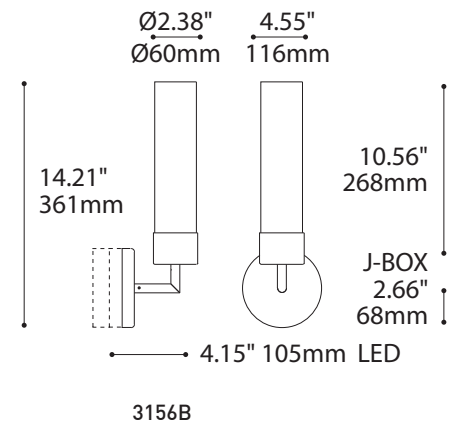
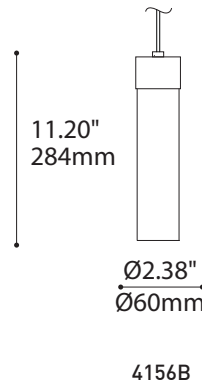
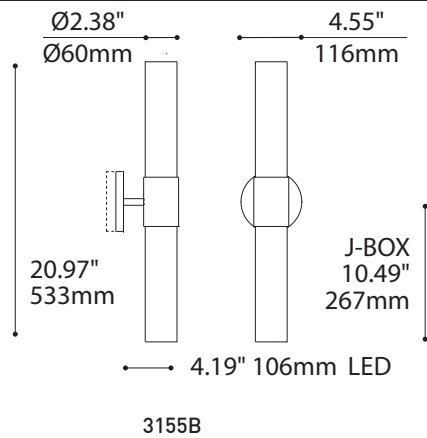
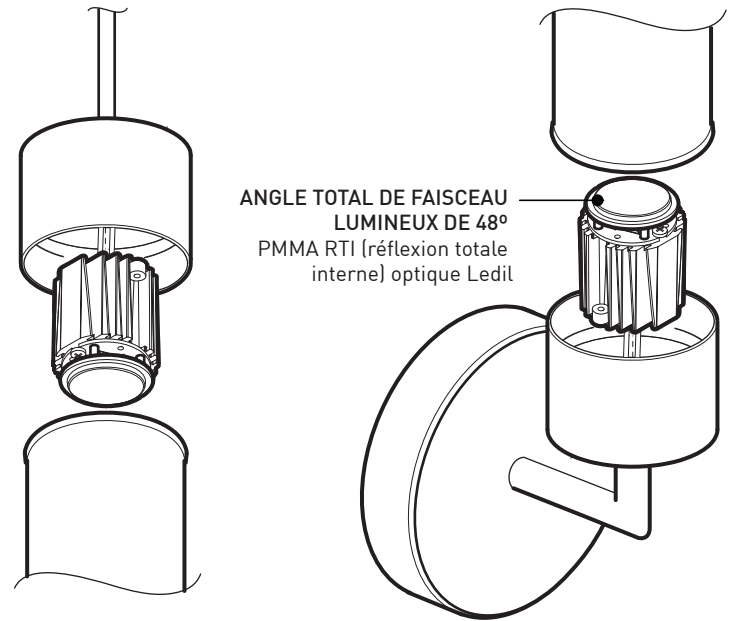


3155B 4156B
3156B

APPLIQUE MURALE 3155B-JMJ/JDJ/JDJA



SUSPENSION 4156B-JMJ/JDJ/JDJA APPLIQUE MURALE 3156B-JMJ/JDJ/JDJA



SPECIFICATIONS

SOURCE LUMINEUSE
MODULE
LUMENS LIVRÉ
IRC
ROHS
VOLTAGE
PILOTE
GRADATION
GARANTIE
LM-79 & CERTIFICATION

3155B DEL

2 x Nichia - total ±8 w
Reconnu par UL - fabriqué aux États-Unis
880 lm (JDJ-WH) / 626 lm (JDJA-WH)
85 CRI (typique)
Conforme
120V - 277V
350 mA
Gradation phase (DP) & Gradation 0-10V (DV)
5 ans (sur les composantes électroniques)
Sur demande & reconnu par CSA

4156B /3156B DEL

1 x Nichia - total ±4 w
440 lm (JDJ-WH) / 312 lm (JDJA-WH)
120V ou 277V
350 mA