

MINI SQUARE SILENE 3157-XLH

PROJECT PROJET

SPEC TYPE

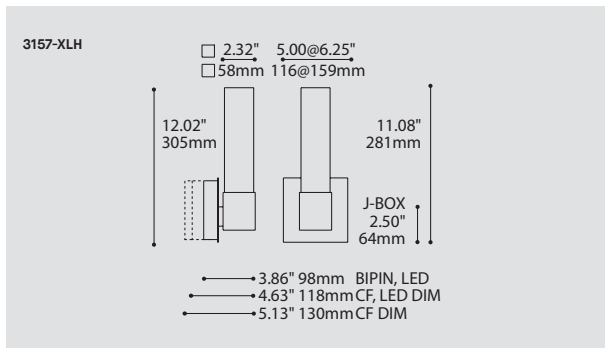
NOTES



FAMILY FAMILLE



4157-XLH CEILING SUSPENDED



ORDERING SPECIFICATION SPÉCIFICATION DE COMMANDE

CODE






MODEL MODÈLE

3157-XLH

3157-XLH MINI SQUARE SILENE XLH

LIGHT SOURCE SOURCE LUMINEUSE

(WATTAGE, LAMP TYPE, LAMP FORM, BASE TYPE, OTHER INFO)

CF.D.13  13W, CFL, DOUBLE TWIN TUBE, G24Q1 BASE
CF.D.18  18W, CFL, DOUBLE TWIN TUBE, G24Q2 BASE
CF.D.26  26W, CFL, DOUBLE TWIN TUBE, G24Q3 BASE
BIPIN.50  50W, HAL, BIPIN, GY6.35 BASE
LED.4  4W, LED

COLOR TEMPERATURE TEMPÉRATURE DE COULEUR

FOR LED ONLY

30 3000K
35 3500K
40 4000K

VOLTAGE VOLTAGE

120V 120 VOLT
277V 277 VOLT
347V* 347 VOLT
 *ONLY AVAILABLE WITH CF.D.13, CF.D.18, CF.D.26 (NON-DIMMING BALLAST)

DIMMING OPTION OPTION DE GRADATION

AVAILABLE WITH CF.D.18 & CF.D.26 ONLY

DM1 ADVANCE MARK 10 ELECTRONIC DIMMING BALLAST
DED LUTRON ECOSYSTEM ELECTRONIC DIMMING BALLAST (ECOSYSTEM DIGITAL LINK WIRING)
DE3 LUTRON ECOSYSTEM ELECTRONIC DIMMING BALLAST (3-WIRE WIRING)

AVAILABLE WITH CF.D.13, CF.D.18 & CF.D.26 ONLY




DM7 ADVANCE MARK 7 ELECTRONIC DIMMING BALLAST

FOR LED ONLY

DV 0-10V DIMMING (120-277V)
DP PHASE DIMMING (120V ONLY)

MOUNTING MONTAGE

SQC

SQC  SQUARE CANOPY / PAVILLON CARRÉ
 FOR HAL & LED: 1.00" CANOPY (2431E)
 FOR CFL & LED DIMMABLE: 1.75" CANOPY (2431G)
 FOR ELECTRONIC CFL DIMMABLE: 2.25" CANOPY (2431J)

STRUCTURE FINISH FINI STRUCTURE

S C SATIN CHROME
CHR CHROME

DIFFUSER FINISH FINI DIFFUSEUR

WH

WH WHITE

PRODUCT CHARACTERISTICS CARACTÉRISTIQUES DU PRODUIT

ADA **DIM** **IES** **LED** 

EXCEPT CFL & LED DIM

DESIGN: Classic square glass sconce.
LIGHT SOURCE: LED and other light sources also available.
STRUCTURE: Die-stamped steel structure with plated finish.
DIFFUSER: Hand blown white triplex glass.
CERTIFIED: c-CSA-us

CONCEPTION: Applique carrée classique.
SOURCE LUMINEUSE: DEL et autres sources offertes.
STRUCTURE: Acier embouti plaqué.
DIFFUSEUR: Verre triplex blanc soufflé à la main.
CERTIFIÉ: c-CSA-us

WALL MOUNT 3157

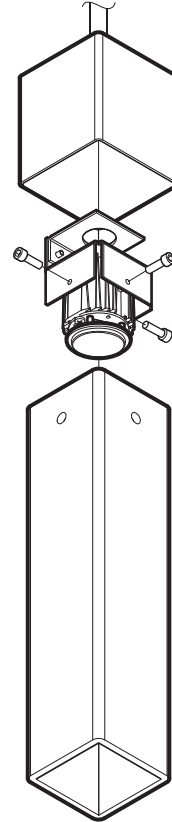
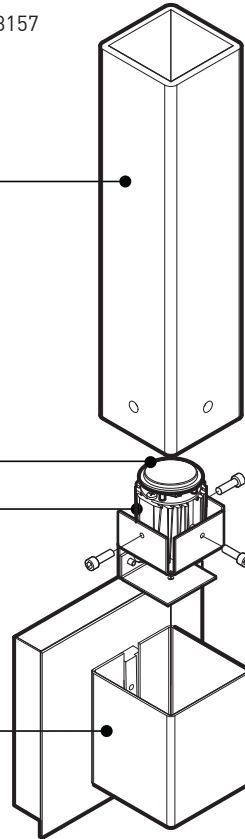
SUSPENSION 4157

GLASS XLH
Hand blown white triplex glass

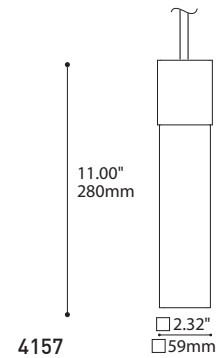
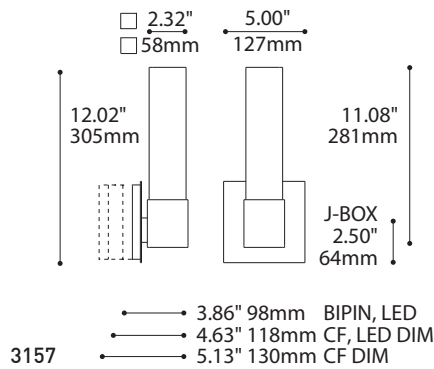
48° TOTAL BEAM ANGLE
PMMA TIR (total internal reflecting) Ledil optic

LED MODULE WITH DIE-CAST ALUMINUM HEATSINK
Black anodized for improved thermal management

STRUCTURE
Die-stamped steel with plated finish

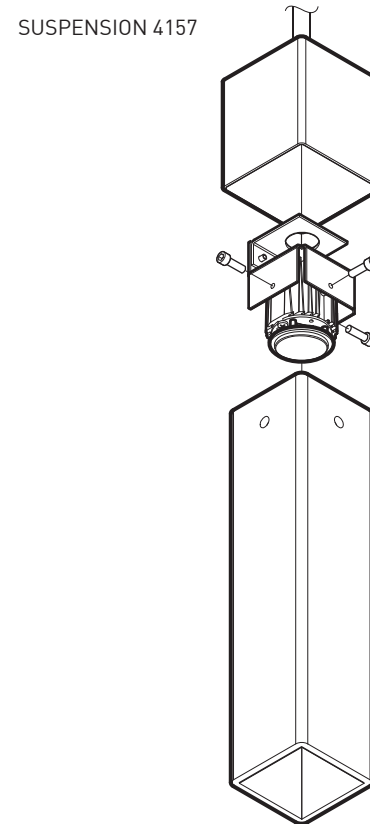
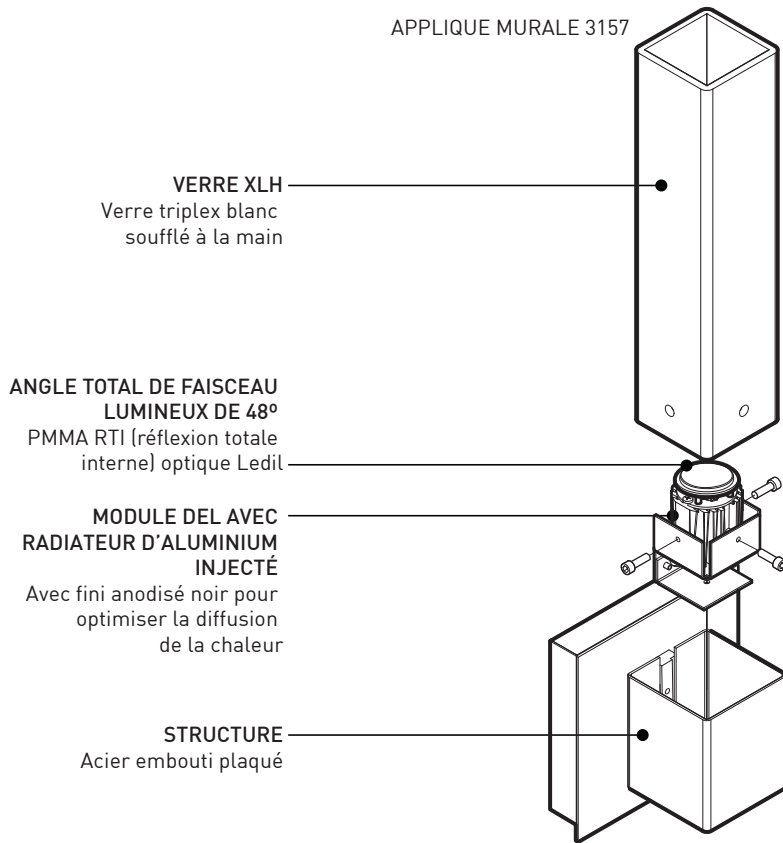


OTHER LIGHT SOURCES AVAILABLE
Fluorescent
Halogen

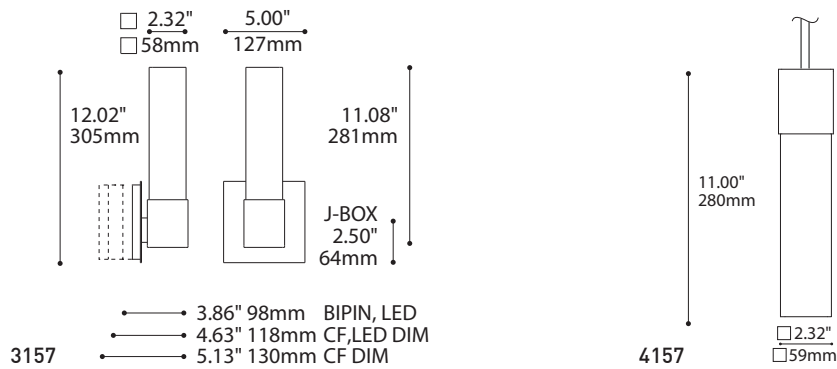


SPECIFICATIONS

	LED	Fluorescent	Halogen
LIGHT SOURCE	4 x Nichia total ±4w	CFL 13/18/26 w	Bipin 50w
MODULE	UL recognized - made in USA	N/A	N/A
LUMENS (ESTIMATED)	376 lm - 468 lm (4000K)	1800 lm	N/A
CRI	85 CRI (typical)	N/A	N/A
ROHS	Compliant		
VOLTAGE	120V ou 277V	120V, 277V or 347V (non-dimming)	120V or 277V
DRIVER	350 mA	Smartmate Advance or equivalent	Electronic low voltage transformer
DIMMING	Phase dimming (DP) or 0-10V dimming (DV)	Advance Mark 7 or 10, Lutron Ecosystem	Dimmable
LM-79	On request		
WARRANTY	5 years (on electronic components)	3-5 years (on converter, depending of the converter)	
CERTIFICATION	CSA recognized		



AUTRES SOURCES LUMINEUSES DISPONIBLES
Fluorescent
Halogène



SPÉCIFICATIONS

	DEL	Fluorescent	Halogène
SOURCE LUMINEUSE	4 x Nichia total ±4w	CFL 13/18/26 w	Bipin 50w
MODULE	Reconnu par UL - Fabriqué aux États-Unis	N/A	N/A
LUMENS (ESTIMÉ)	376 lm - 468 lm (4000K)	1800 lm	N/A
IRC	85 IRC (typique)	N/A	N/A
ROHS	Conforme		
VOLTAGE	120V ou 277V	120V, 277V ou 347V (sans gradation)	120V ou 277V
PILOTE	350 mA	Smartmate Advance ou équivalent	Transformateur électronique à bas voltage
GRADATION	Gradation phase (DP) ou Gradation 0-10V (DV)	Advance Mark 7 or 10, Lutron Ecosystem	Disponible
LM-79	Sur demande		
GARANTIE	5 ans (sur les composantes électroniques)	3-5 ans (sur le convertisseur, selon le convertisseur)	
CERTIFICATION	Reconnu par CSA		