

MINI SILENE 3166-IDH / IDHA

PROJECT PROJET
SPEC TYPE
NOTES



OPTIONS



IDH-WH

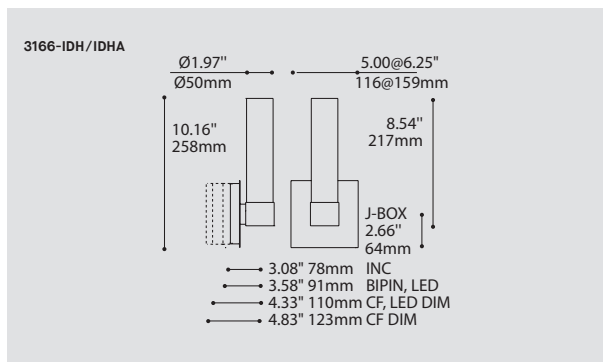


IDHA-WH (ACRYLIC)

FAMILY FAMILLE



3165-IDH/IDHA



ORDERING SPECIFICATION SPÉCIFICATION DE COMMANDE

CODE

MODEL MODÈLE

3166-IDH MINI SILENE IDH
3166-IDHA MINI SILENE IDHA (CLOSED TOP ACRYLIC DIFFUSER)

LIGHT SOURCE SOURCE LUMINEUSE

(WATTAGE, LAMP TYPE, LAMP FORM, BASE TYPE, OTHER INFO)

3166-IDH
CF.D.13 13W, CFL, DOUBLE TWIN TUBE, G24Q1 BASE
BIPIN.50 50W, HAL, BIPIN, GY6.35 BASE
LED.4 4W, LED

3166-IDHA
CF.D.13 13W, CFL, DOUBLE TWIN TUBE, G24Q1 BASE
LED.4 4W, LED

COLOR TEMPERATURE TEMPÉRATURE DE COULEUR

FOR LED ONLY

30 3000K
35 3500K
40 4000K

VOLTAGE VOLTAGE

120V 120 VOLT
277V 277 VOLT
347V* 347 VOLT
 *ONLY AVAILABLE WITH CF.D.13 AND 2XCF.D.13 (NON-DIMMING BALLAST)

DIMMING OPTION OPTION DE GRADATION

AVAILABLE WITH CF.D.13 AND 2XCF.D.13 ONLY

DM7 ADVANCE MARK 7 ELECTRONIC DIMMING BALLAST

FOR LED ONLY

DV 0-10V DIMMING (120-277V)
DP PHASE DIMMING (120V ONLY)

MOUNTING MONTAGE

SQC

SQC SQUARE CANOPY / PAVILLON CARRÉ
 FOR HAL & LED: 1.00" CANOPY (2431E)
 FOR CFL & LED DIMMABLE: 1.75" CANOPY (2431G)
 FOR ELECTRONIC CFL DIMMABLE: 2.25" CANOPY (2431J)

STRUCTURE FINISH FINI STRUCTURE

S C SATIN CHROME
CHR CHROME

DIFFUSER FINISH FINI DIFFUSEUR

WH

WH WHITE

PRODUCT CHARACTERISTICS CARACTÉRISTIQUES DU PRODUIT



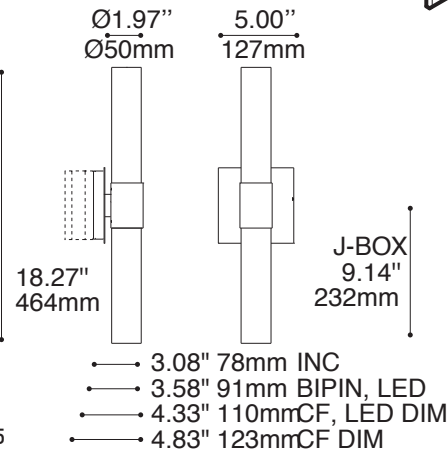
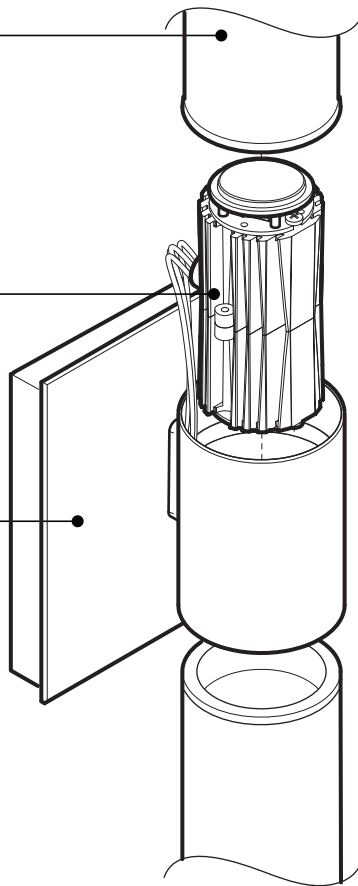
DESIGN: Contemporary silene diffuser sconce with screw mount diffuser.
LIGHT SOURCE: LED and other light sources also available.
STRUCTURE: Die-stamped steel structure with plated finish.
DIFFUSER: Hand blown white triplex diffuser (IDH). Also available with a closed top and bottom acrylic shade (IDHA).
CERTIFIED: c-CSA-us
CONCEPTION: Applique contemporaine et classique munie d'un filet pour visser le verre.
SOURCE LUMINEUSE: DEL et autres sources offertes.
STRUCTURE: Acier embouti plaqué.
DIFFUSEUR: Verre triplex blanc soufflé à la main (IDH). Aussi offert avec un diffuseur en acrylique au dessus fermé (IDHA).
CERTIFIÉ: c-CSA-us

WALL MOUNT 3165-IDH/IDHA/IMH

SCREW MOUNT GLASS
 IDH-WH
 Hand blown white triplex glass
 IDHA-WH
 Closed top white acrylic shade
 IMH-CLR/FRO
 Extruded clear or frosted ribbed glass

LED MODULE WITH DIE-CAST ALUMINUM HEATSINK (DOUBLE FOR 3165)
 Black anodized for improved thermal management

STRUCTURE
 Die-stamped steel with plated finish

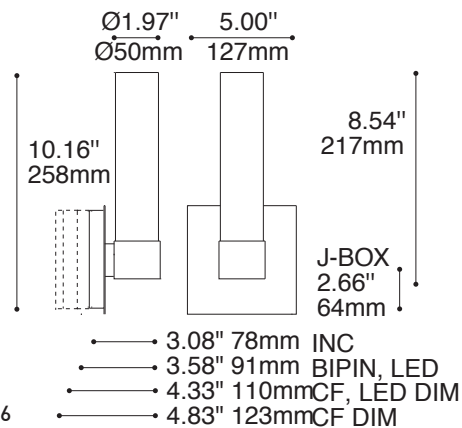
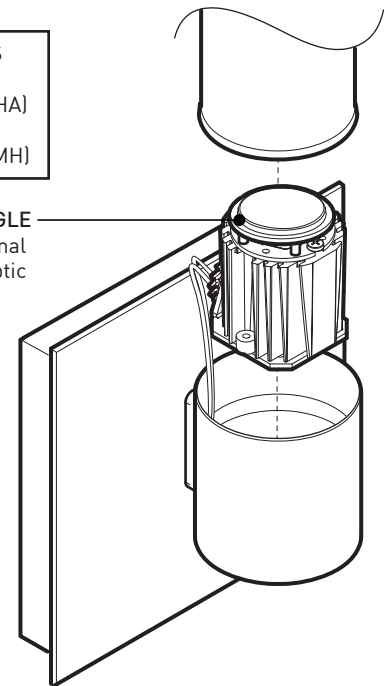


3165

WALL MOUNT 3166-IDH/IDHA/IMH

OTHER LIGHT SOURCES AVAILABLE
 Fluorescent (for IDH/IDHA)
 Halogen (for IDH/IMH)
 Incandescent (for IDH/IMH)

48° TOTAL BEAM ANGLE
 PMMA TIR (total internal reflecting) Ledil optic



3166

SPECIFICATIONS

LIGHT SOURCE MODULE
LUMENS (ESTIMATED)
CRI
ROHS
VOLTAGE
DRIVER
DIMMING
WARRANTY
LM-79 & CERTIFICATION

3165 LED

2 x Nichia - total ±8 w
 UL recognized - made in USA
 752 lm (3000K) - 936 lm (4000K) initial
 85 CRI (typical)
 Compliant
 120V - 240V
 350 mA
 Phase dimming (DP) or 0-10V Dimming (DV)
 5 years (on electronic components)
 On request & CSA recognized

3166 LED

1 x Luxeon Rebel ES on MCPCB - total ±4 w

376 lm (3000K) - 468 lm (4000K) initial

SPECIFICATIONS

LIGHT SOURCE
VOLTAGE

Fluorescent (for IDH/IDHA)

CFL twin tube 13 w (x 2 for 3165)
 120V-277V-347V
 (dimming option available)

Halogen (for IDH/IMH)

Bipin 50 w (35 w x 2 for 3165)
 120V-277V

Incandescent (for IDH/IMH)

B10/T10 75 w (x 2 for 3165)
 120V



225 de Liège Ouest, Suite #200
 Montréal (QC), Canada H2P 1H4
 Tel : 514.385.3515 Fax : 514.385.4169
 www.eurekalighting.com



3165
3166

APPLIQUE MURALE 3165-IDH/IDHA/IMH

APPLIQUE MURALE 3166-IDH/IDHA/IMH

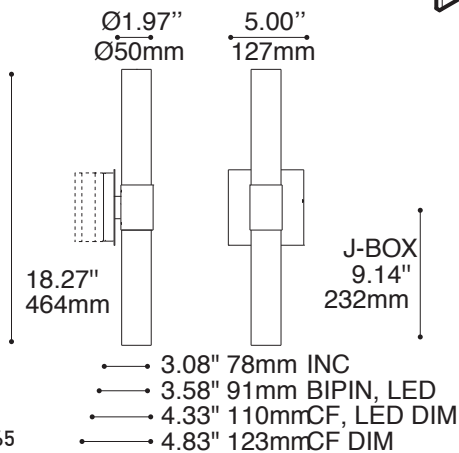
VERRE VISSABLE
IDH-WH
 Verre triplex blanc soufflé à la main
IDHA-WH
 Acrylic blanc fermé
IMH-CLR/FRO
 Verre extrudé clair ou givré avec rainures

MODULE DEL AVEC RADIATEUR D'ALUMINIUM INJECTÉ (DOUBLE FOR 3165)
 Avec fini anodisé noir pour optimiser la diffusion de la chaleur

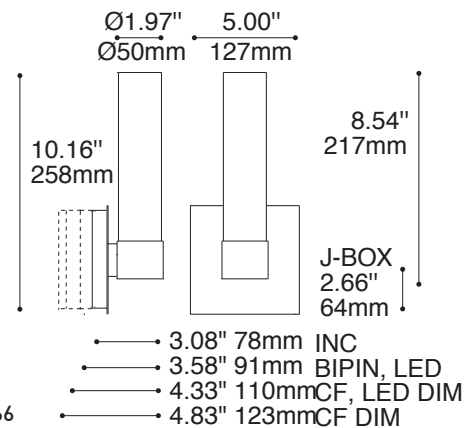
STRUCTURE
 Acier embouti plaqué

AUTRES SOURCES LUMINEUSES DISPONIBLES
 Fluorescent (pour IDH/IDHA)
 Halogène (pour IDH/IMH)
 Incandescent (pour IDH/IMH)

ANGLE TOTAL DE FAISCEAU LUMINEUX DE 48°
 PMMA RTI (réflexion totale interne) optique Ledil



3165



3166

SPÉCIFICATIONS

SOURCE LUMINEUSE
 MODULE
 LUMENS (ESTIMATED)
 IRC
 ROHS
 VOLTAGE
 PILOTE
 GRADATION
 GARANTIE
 LM-79 & CERTIFICATION

3165 DEL

2 x Nichia - total ±8 w
 Reconnu par UL - fabriqué aux États-Unis
 752 lm (3000K) - 936 lm (4000K) initial
 85 IRC (typique)
 Conforme
 120V - 240V
 350 mA
 Gradation phase [DP] & Gradation 0-10V [DV]
 5 ans (sur les composantes électroniques)
 Sur demande & Reconnu par CSA

3166 DEL

1 x Luxeon Rebel ES sur MCPCB - total ±4 w
 376 lm (3000K) - 468 lm (4000K) initial

SPECIFICATIONS

SOURCE LUMINEUSE
 VOLTAGE

Fluorescent (for IDH/IDHA)

CFL twin tube 13 w (x 2 pour 3165)
 120V-277V-347V
 (option de gradation disponible)

Halogen (for IDH/IMH)

Bipin 50 w (35 w x 2 pour 3165)
 120V-277V

Incandescent (for IDH/IMH)

B10/T10 75 w (x 2 pour 3165)
 120V