

DELTA 3215 / 3215B

PROJECT PROJÉT
SPEC TYPE
NOTES



FAMILY FAMILLE



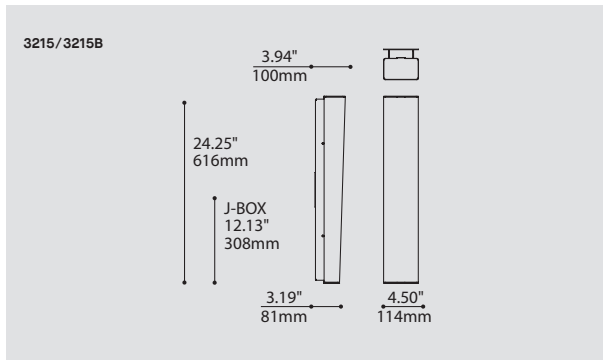
4234-VDP/VDPA

4234-VDX/VDXA



4427-VDP/VDPA

4427-VDX/VDXA



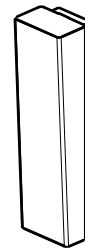
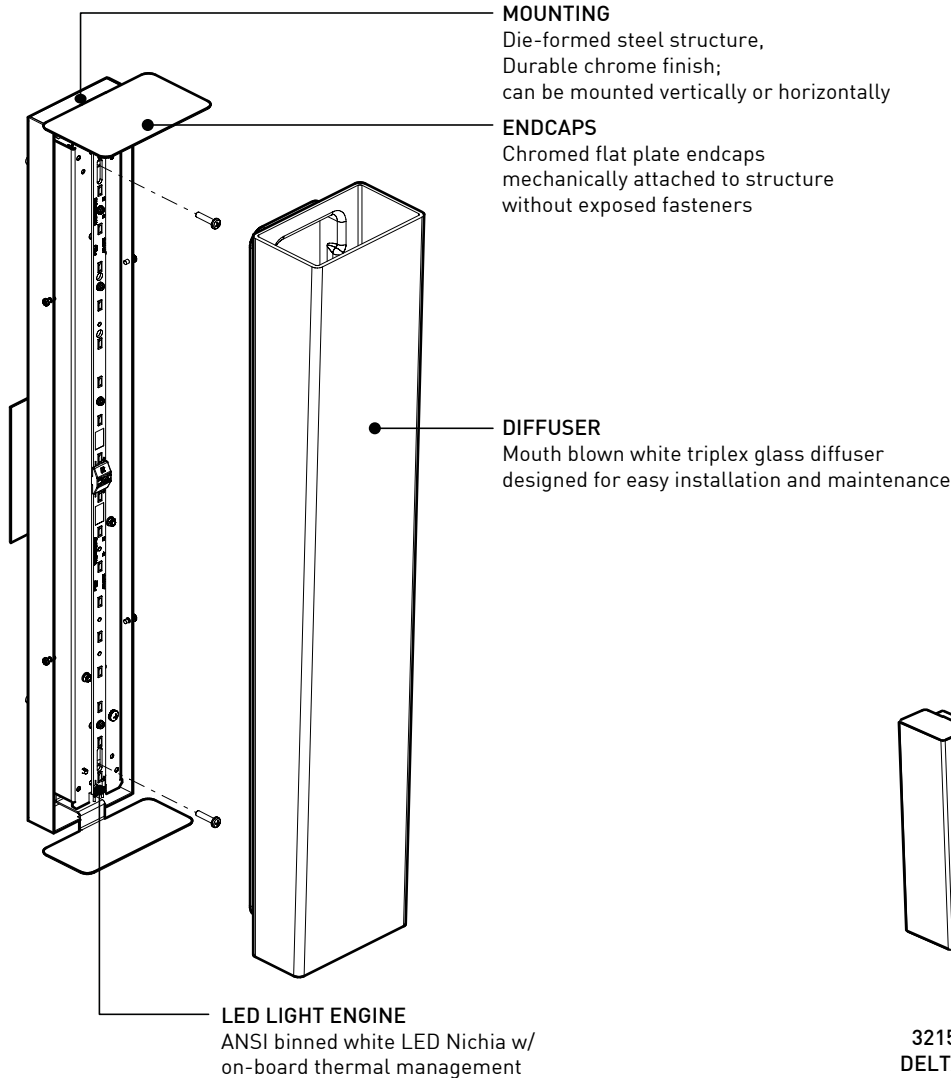
ORDERING SPECIFICATION SPÉCIFICATION DE COMMANDE

MODEL MODÈLE	CODE
3215 DELTA (GLASS)	
3215B DELTA (ACRYLIC)	
LIGHT SOURCE SOURCE LUMINEUSE	
(WATTAGE, LAMP TYPE, LAMP FORM, BASE TYPE, OTHER INFO)	
F.T5.14	14W, T5
F.T5.24	24W, T5 HO
2XF.T5.14	14W X 2, T5
2XF.T5.24	24W X 2, T5 HO
LED	REGULAR OUTPUT
LED.HO	HIGH OUTPUT
COLOR TEMPERATURE TEMPÉRATURE DE COULEUR	
FOR LED ONLY	
30	3000K
35	3500K
40	4000K
VOLTAGE VOLTAGE	
120V	120 VOLT
277V	277 VOLT
DIMMING OPTION OPTION DE GRADATION	
AVAILABLE WITH 2XF.T5.24 ONLY	
DM1	ADVANCE MARK 10 ELECTRONIC DIMMING BALLAST
AVAILABLE WITH F.T5.14 & 2XF.T5.14 ONLY	
DM7	ADVANCE MARK 7 ELECTRONIC DIMMING BALLAST
AVAILABLE WITH ALL T5 LIGHT SOURCES	
D3D	LUTRON HI-LUME 3D ELECTRONIC DIMMING BALLAST (ECOSYSTEM DIGITAL LINK WIRING)
D33	LUTRON HI-LUME 3D ELECTRONIC DIMMING BALLAST (3-WIRE WIRING)
AVAILABLE WITH ALL LED LIGHT SOURCES	
DV	0-10V DIMMING (120-277V)
DP	PHASE DIMMING (120V ONLY)
EMERGENCY BATTERY BATTERIE D'URGENCE	
AVAILABLE WITH ALL T5 LIGHT SOURCES	
NOT AVAILABLE WITH A DIMMING BALLAST, LED LIGHT SOURCE OR WITH A 3980 ACCESSORY (MINI-JUNCTION BOX)	
REM ⁽¹⁾	REMOTE EMERGENCY BATTERY
⁽¹⁾ 3981B ACCESSORY IS REQUIRED FOR THIS OPTION	
STRUCTURE FINISH FINI STRUCTURE	CHR
CHR	CHROME
DIFFUSER FINISH FINI DIFFUSEUR	WH
WH	WHITE
END CAP FINISH FINI EMBOUT	CHR
CHR	CHROME
ACCESSORY ACCESSOIRE	
3980	MINI JUNCTION BOX
3981B	JUNCTION BOX FOR T5 REMOTE EMERGENCY BATTERY

PRODUCT CHARACTERISTICS CARACTÉRISTIQUES DU PRODUIT



DESIGN:	Subtle and highly modern design that features a tapering rectilinear form. ADA compliant.
LIGHT SOURCE:	LED and T5 light sources. Dimming and REM available.
STRUCTURE:	Die-stamped steel structure with plated finish. Steel chrome plated end cap.
DIFFUSER:	Hand blown white triplex glass (3215) or acrylic (3215B).
CERTIFIED:	c-CSA-us, c-UL-us
CONCEPTION:	Contemporaine et subtile, la forme est rectilignement effilée. Conforme à la norme ADA.
SOURCE LUMINEUSE:	DEL et T5; ballasts à gradation et d'urgence offerts.
STRUCTURE:	Acier embouti plaqué. Embout en acier chromé.
DIFFUSEUR:	Verre triplex blanc soufflé à la main (3215) ou acrylique (3215B).
CERTIFIÉ:	c-CSA-us, c-UL-us



3215
DELTA



3216
FOLIA



3217
SENET

SPECIFICATIONS

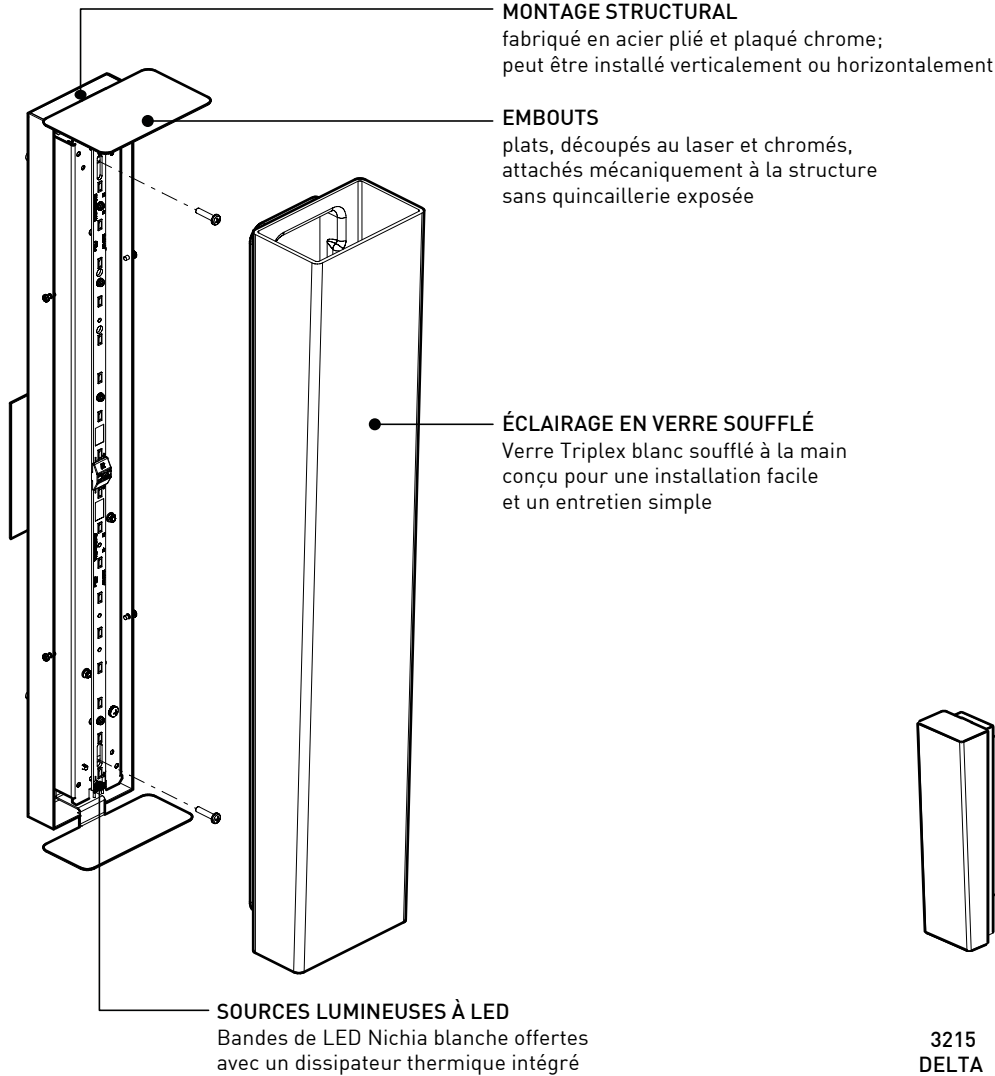
LIGHT SOURCE
MODULE
LUMENS (DELIVERED)
SYSTEM WATTAGE
CCT / CRI
ROHS
THERMAL MANAGEMENT
LIGHT DISTRIBUTION
VOLTAGE
DIMMING
LM-79 / L70
HOUSING
DIFFUSER
MOUNTING
ENDCAPS
WARRANTY

LED-REG

LED-HO

FLUORESCENT

18 x NICHIA LEDES		1 or 2 x 14w T5 / 1 or 2 x 24w T5HO
UL recognized - made in USA		
690 lm	1002 lm	
9W	13.5W	
80 CRI (typical)		
Compliant		
Light Engine w/ on-board Thermal Management		
Direct - 120° Beam Angle		Direct
120 or 277V		120V-277V, 347V
Phase (DP) or 0-10V (DV) Dimming		Advance Mark 7 (T5), Mark 10 (T5HO) or Lutron
On request / Estimated 50 000 hrs		
Formed Cold Rolled steel finished in white polyester powder coat (0.036" nominal thickness)		
Mouth blown white triplex glass		
Formed Cold Rolled Steel (0.060" nominal thickness) w/ Chrome Plated Finish		
Precision laser cutting and Formed Cold rolled Steel (0.048" nominal thickness) w/ Chrome Plated Finish		
5 years		1 year



3215
DELTA



3216
FOLIA



3217
SENET

SPÉCIFICATIONS

	LED-REG	LED-HO	FLUORESCENTE
SOURCE LUMINEUSE	18 x NICHIA LEDES		1 ou 2 x 14w T5 / 1 ou 2 x 24w T5HO
MODULE	Reconnu UL - Fabriqué aux États-Unis		
LUMENS (LIVRÉS)	690 lm	1002 lm	
CONSOMMATION TOTALE	9W	13.5W	
CCT / CRI	80 CRI (typique)		
ROHS	Conforme		
GESTION THERMIQUE	Sources lumineuses avec autocontrôle de température		
DISTRIBUTION LUMINEUSE	Directe - diffusée à 120°		Directe
VOLTAGE	120 ou 277V		120V-277V, 347V
GRADATION	Gradation phase (DP) ou 0-10V (DV)		Advance Mark 7 (T5), Mark 10 (T5HO) ou Lutron
LM-79 / L70	Sur demande / 50 000 hrs estimées		
BOÎTIER	Acier découpé, plié (0.036" épaisseur nominale) / fini de peinture électrostatique à base de Polyester blanche		
DIFFUSEUR	Verre Triplex blanc soufflé à la main		
MONTAGE STRUCTURAL	Acier découpé, plié (0.060" épaisseur nominale) et chromé		
EMBOUTS	Acier découpé, plié (0.048" épaisseur nominale) et chromé		
GARANTIE	5 ans		1 an