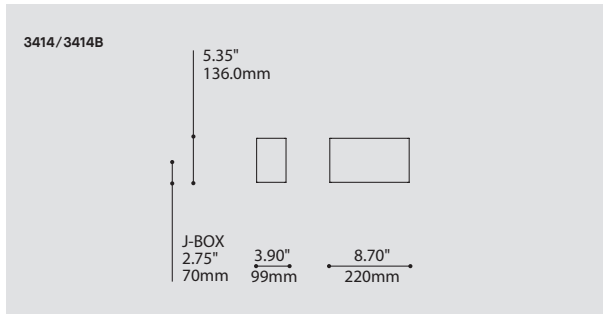


# BOX 3414 / 3414B

PROJECT PROJÉT
SPEC TYPE
NOTES






## ORDERING SPECIFICATION SPÉCIFICATION DE COMMANDE



### MODEL MODÈLE

**3414** BOX (INDIRECT)  
**3414B** BOX (DIRECT/INDIRECT)

### LIGHT SOURCE SOURCE LUMINEUSE

(WATTAGE, LAMP TYPE, LAMP FORM, BASE TYPE, OTHER INFO)

**3414**  
**CF.D.18**  18W, CFL, DOUBLE TWIN TUBE, G24Q2 BASE  
**CF.D.26**  26W, CFL, DOUBLE TWIN TUBE, G24Q3 BASE  
**LED.6**  6W, LED

**3414B**  
**2XCF.D.18**  18W X 2, CFL, DOUBLE TWIN TUBE, G24Q2 BASE  
**2XLED.6**  6W X 2, LED

### COLOR TEMPERATURE TEMPÉRATURE DE COULEUR

FOR LED ONLY

**30** 3000K  
**35** 3500K  
**40** 4000K

### VOLTAGE VOLTAGE

**120V** 120 VOLT  
**277V** 277 VOLT  
**347V\*** 347 VOLT

\*ONLY AVAILABLE WITH CF.D.18, CF.D.26 & 2XCF.D.18 (NON-DIMMING BALLAST)

### DIMMING OPTION OPTION DE GRADATION

AVAILABLE WITH CF.D.18, CF.D.26 & 2XCF.D.18

**DM1** ADVANCE MARK 10 ELECTRONIC DIMMING BALLAST  
**DM7** ADVANCE MARK 7 ELECTRONIC DIMMING BALLAST  
**DED** LUTRON ECOSYSTEM ELECTRONIC DIMMING BALLAST (ECOSYSTEM DIGITAL LINK WIRING)  
**DE3** LUTRON ECOSYSTEM ELECTRONIC DIMMING BALLAST (3-WIRE WIRING)

AVAILABLE WITH LED ONLY

**DV** 0-10V DIMMING (120-277V)  
**DP** PHASE DIMMING (120V ONLY)

### EMERGENCY BATTERY BATTERIE D'URGENCE

AVAILABLE WITH CF.D.18, CF.D.26 & 2XCF.D.18, 120V OR 277V ONLY  
 NOT AVAILABLE WITH A DIMMING BALLAST

**REM<sup>(1)</sup>** REMOTE EMERGENCY BATTERY  
<sup>(1)</sup> 3981 ACCESSORY IS REQUIRED FOR THIS OPTION

### STRUCTURE FINISH FINI STRUCTURE

**SC** SATIN CHROME

### DIFFUSER FINISH FINI DIFFUSEUR

**FRO** FROSTED

### ACCESSORY ACCESSOIRE

**3981** JUNCTION BOX FOR CFL REMOTE EMERGENCY BATTERY

## PRODUCT CHARACTERISTICS CARACTÉRISTIQUES DU PRODUIT



**DESIGN:** Minimal box design, this ADA compliant wall sconce provide a punch and is perfectly proportioned.

**LIGHT SOURCE:** Indirect only (3414) either 6W LED in 3000K (Warm white), 3500K (Natural white) or 4000K (Neutral white) or 18W CFL or 26W CFL; direct/indirect (3414B) either 2 x 6W LED in 3000K (Warm white), 3500K (Naturel white) or 4000K (Neutral white) or 2 x 18W CFL.

**STRUCTURE:** Die-formed satin chromed housing with white polyester powder painted inner structure.

**DIFFUSER:** Translucent frosted acrylic.

**CERTIFIED:** c-CSA-us

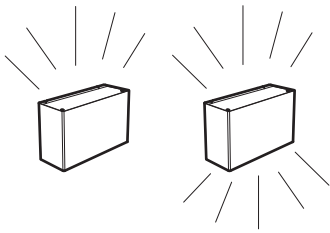
**CONCEPTION:** Conforme à la norme ADA. Boîte minimaliste parfaitement proportionnée qui a de l'impact.

**SOURCE LUMINEUSE:** Indirect seulement (3414) pour DEL 6W en 3000K (blanc chaud), 3500K (blanc naturel) ou 4000K (blanc neutre) ou CFL 18W ou CFL 26W; direct/indirect (3414B) DEL 2 x 6W en 3000K (blanc chaud), 3500K (blanc naturel) ou 4000K (blanc neutre) ou CFL 2 x 18W.

**STRUCTURE:** Boîtier d'acier découpé et plié avec placage chrome satiné. Structure intérieure peinte avec peinture électrostatique à base de polyester blanche.

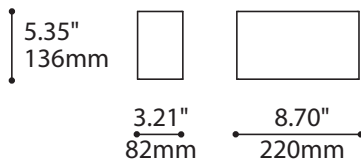
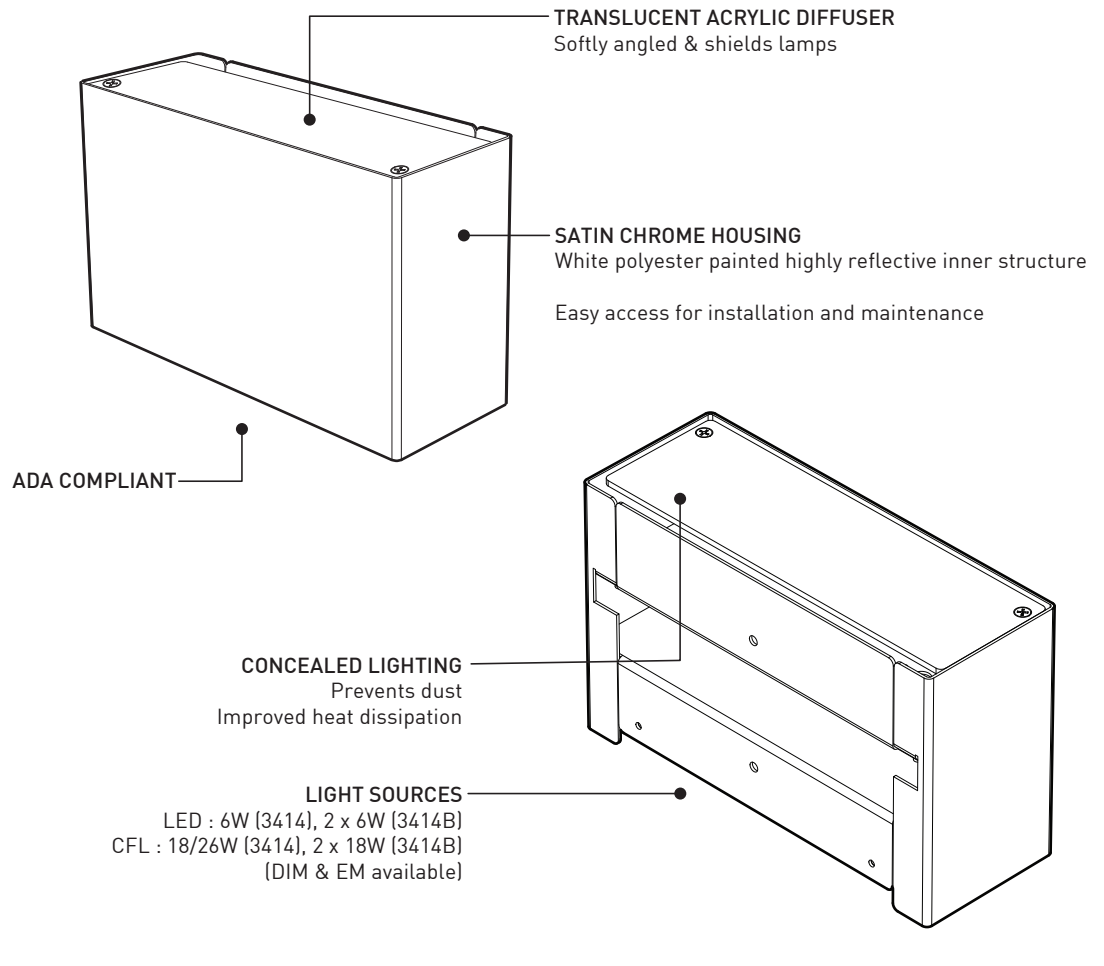
**DIFFUSEUR:** Acrylique translucide givré.

**CERTIFIÉ:** c-CSA-us



3414  
INDIRECT

3414B  
DIRECT-INDIRECT



## SPECIFICATIONS

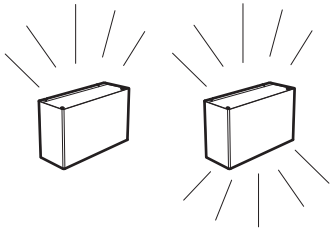
	LED	FLUORESCENT
LIGHT SOURCE	1 x 6W (3414) / 2 x 6W (3414B) Luxeon Rebel	1 x 18 or 26W CFL (3414) / 2 x 18w CFL (3414B)
MODULE	UL recognized - made in USA	
LUMENS (ESTIMATED)	1 x 6W (3414): 510 lm / 2 x 6W (3414B): 1020 lm	1250 lm/lamp (18W) & 1800 lm/lamp (26W)
CRI	85 CRI (typical)	
ROHS	Compliant	
HOUSING	Die-formed satin chromed steel	Die-formed satin chromed steel
HEATSINK	Aluminium	
LIGHT DISTRIBUTION	Indirect / Direct-Indirect	Indirect / Direct-Indirect
DIFFUSER	Translucent acrylic	Translucent acrylic
VOLTAGE	120 or 277V	120-277/347V, 120-277V (Dimming)
DRIVER / BALLAST	Hatch 700 mA	Universal
DIMMING	Phase dimming (DP) or 0-10V dimming (DV)	Advance Mark 7 & Mark 10, Lutron Ecosystem Digital or 3-Wire
EMERGENCY		IOTA ISL-42-EM-B (1 Lamp 26w-425 lm/90 min)
LM-79	On request	
WARRANTY	5 years	1 year



225 de Liège Ouest, Suite #200  
Montréal (QC), Canada H2P 1H4  
Tel : 514.385.3515 Fax : 514.385.4169  
[www.eurekalighting.com](http://www.eurekalighting.com)

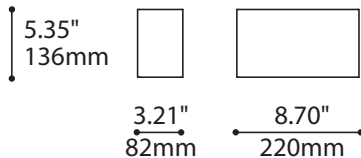
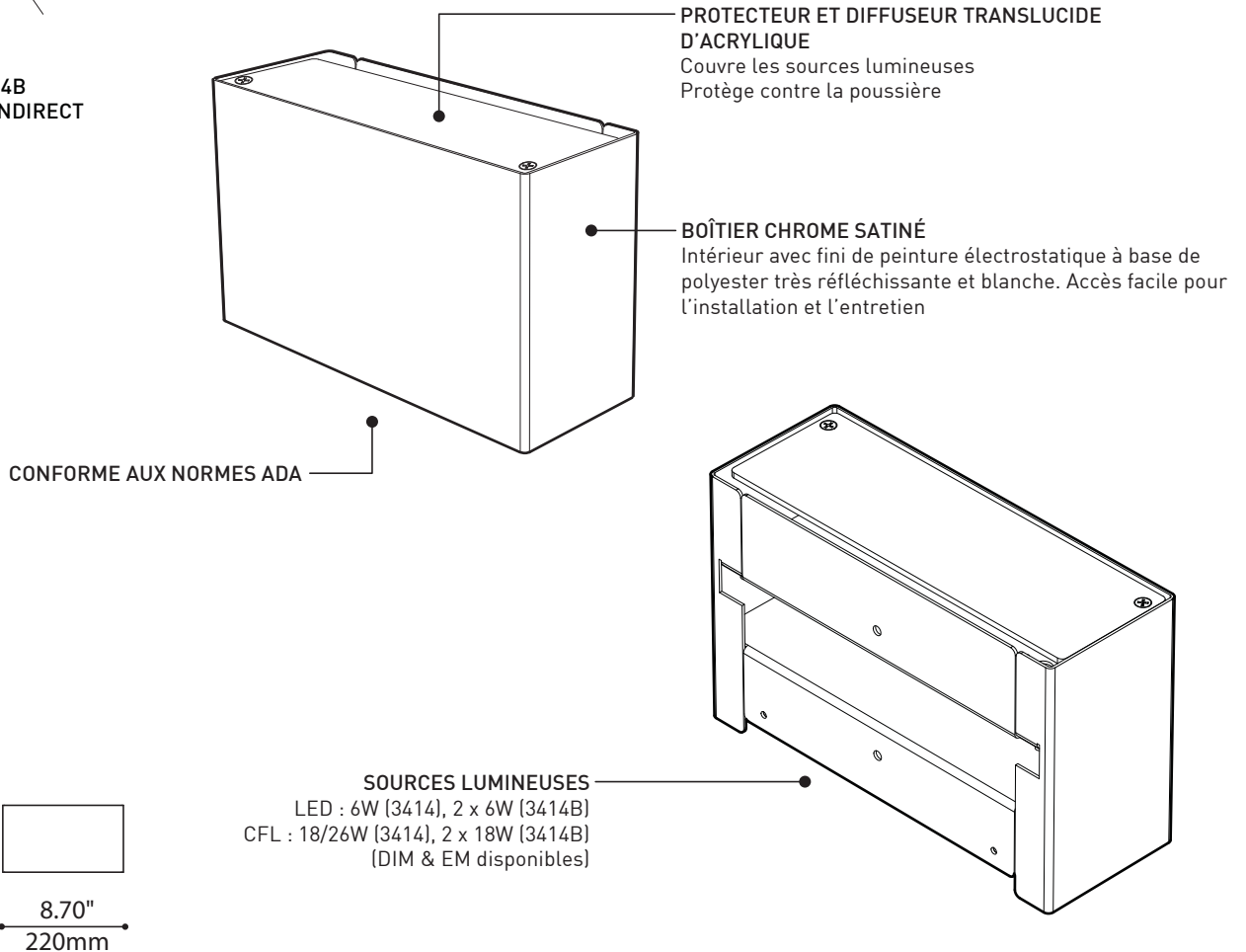


3414  
3414B



3414  
INDIRECT

3414B  
DIRECT-INDIRECT



**SOURCES LUMINEUSES**  
LED : 6W (3414), 2 x 6W (3414B)  
CFL : 18/26W (3414), 2 x 18W (3414B)  
(DIM & EM disponibles)

## SPÉCIFICATIONS

SOURCE LUMINEUSE

MODULE

LUMENS (ESTIMÉS)

IRC

ROHS

BOÎTIER

RADIATEUR

DISTRIBUTION LUMINEUSE

DIFFUSEUR

VOLTAGE

PILOTE / BALLAST

GRADATION

URGENCE

LM-79

GARANTIE

## DEL

1 x 6W (3414) / 2 x 6W (3414B) Luxeon Rebel

Reconnu par UL - Fabriqué aux États-Unis

1 x 6W (3414): 510 lm / 2 x 6W (3414B): 1020 lm

85 IRC (typique)

Conforme

Acier embouti avec fini chrome satiné

Aluminium

Indirect / Direct-Indirect

Acrylique translucide

120V ou 277V

Hatch 700 mA

Gradation phase (DP) ou Gradation 0-10V (DV)

Sur demande

5 ans

## FLUORESCENT

1 x 18 ou 26W CFL (3414) / 2 x 18w CFL (3414B)

1250 lm/lamp (18W) & 1800 lm/lamp (26W)

Acier embouti avec fini chrome satiné

Indirect / Direct-Indirect

Acrylique translucide

120-277/347V, 120-277V (à intensité variable)

Universel

Advance Mark 7 & Mark 10, Lutron Ecosystem Digital ou 3-Fils

IOTA ISL-42-EM-B (1 Source 26w-425 lm/90 min)

1 an



225 de Liège Ouest, Suite #200  
Montréal (QC), Canada H2P 1H4  
Tel : 514.385.3515 Fax : 514.385.4169  
[www.eurekalighting.com](http://www.eurekalighting.com)



3414  
3414B