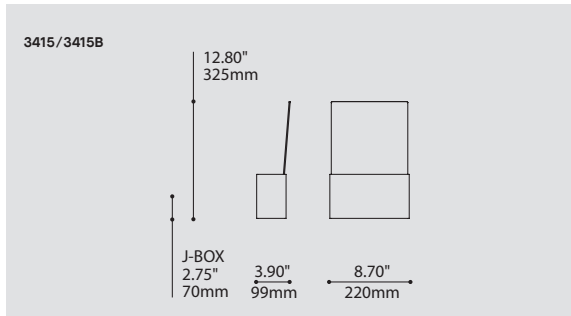


FLEX MEDIA 3415 / 3415B

PROJECT PROJET
SPEC TYPE
NOTES



OPTIONS



ORDERING SPECIFICATION SPÉCIFICATION DE COMMANDE




CODE



MODEL MODÈLE

3415 FLEX MEDIA (INDIRECT)
3415B FLEX MEDIA (DIRECT / INDIRECT)

LIGHT SOURCE SOURCE LUMINEUSE

(WATTAGE, LAMP TYPE, LAMP FORM, BASE TYPE, OTHER INFO)

3415
CF.D.18  18W, CFL, DOUBLE TWIN TUBE, G24Q2 BASE
CF.D.26  26W, CFL, DOUBLE TWIN TUBE, G24Q3 BASE
LED.6  6W, LED

3415B
2XCF.D.18  18W X 2, CFL, DOUBLE TWIN TUBE, G24Q2 BASE
2XLED.6  6W X 2, LED

COLOR TEMPERATURE TEMPÉRATURE DE COULEUR

FOR LED ONLY

30 3000K
35 3500K
40 4000K

VOLTAGE VOLTAGE

120V 120 VOLT
277V 277 VOLT
347V* 347 VOLT

*ONLY AVAILABLE WITH CF.D.18, CF.D.26 & 2XCF.D.18 (NON-DIMMING BALLAST)

DIMMING OPTION OPTION DE GRADATION

AVAILABLE WITH CF.D.18, CF.D.26 & 2XCF.D.18

DM1 ADVANCE MARK 10 ELECTRONIC DIMMING BALLAST
DM7 ADVANCE MARK 7 ELECTRONIC DIMMING BALLAST
DED LUTRON ECOSYSTEM ELECTRONIC DIMMING BALLAST (ECOSYSTEM DIGITAL LINK WIRING)
DE3 LUTRON ECOSYSTEM ELECTRONIC DIMMING BALLAST (3-WIRE WIRING)

AVAILABLE WITH LED ONLY

DV 0-10V DIMMING (120-277V)
DP PHASE DIMMING (120V ONLY)

EMERGENCY BATTERY BATTERIE D'URGENCE

AVAILABLE WITH CF.D.18, CF.D.26 & 2XCF.D.18, 120V OR 277V ONLY
 NOT AVAILABLE WITH A DIMMING BALLAST

REM⁽¹⁾ REMOTE EMERGENCY BATTERY
⁽¹⁾ 3981 ACCESSORY IS REQUIRED FOR THIS OPTION

STRUCTURE FINISH FINI STRUCTURE

SC SATIN CHROME

DIFFUSER FINISH FINI DIFFUSEUR

FRO FROSTED

ACCESSORY ACCESSOIRE

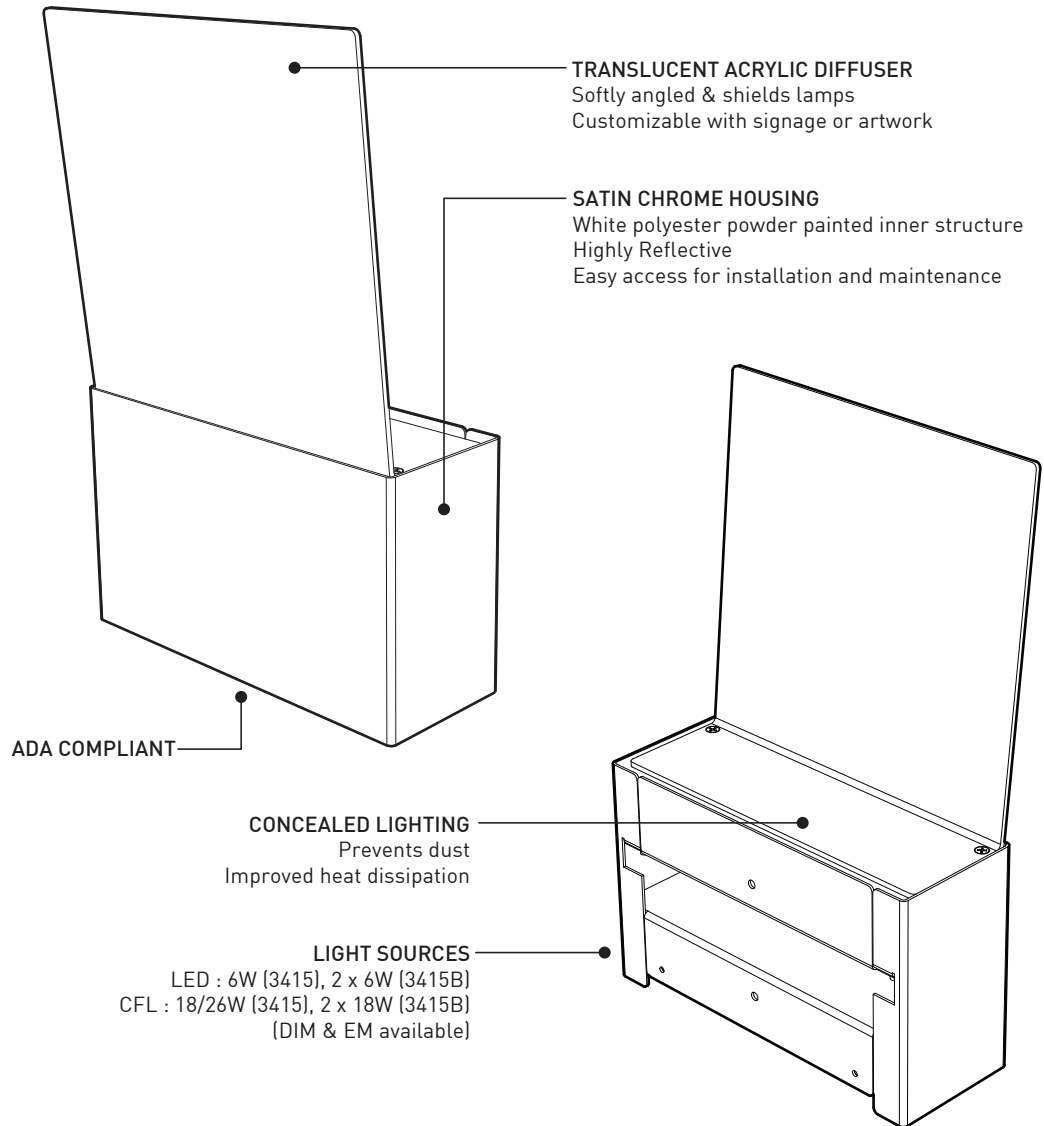
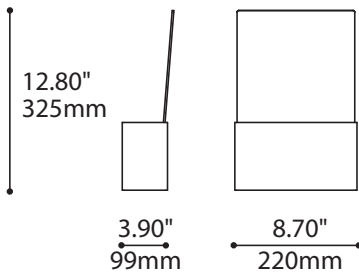
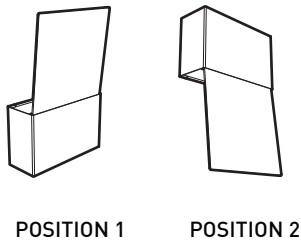
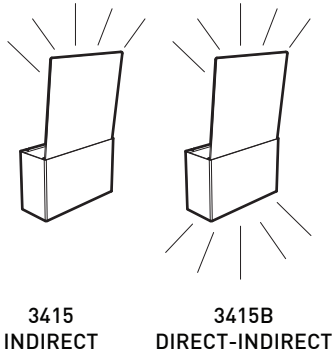
3981 JUNCTION BOX FOR CFL REMOTE EMERGENCY BATTERY

PRODUCT CHARACTERISTICS CARACTÉRISTIQUES DU PRODUIT



DESIGN: Plated steel housing and softly angled translucent acrylic diffusers shield lamps.
LIGHT SOURCE: Indirect only (3415) either 6W LED or 18W CFL or 26W CFL; direct / indirect (3415B) either 2 x 6W LED or 2 x 18W CFL.
STRUCTURE: Die-formed satin chromed housing with white polyester powder painted inner structure.
DIFFUSER: Translucent frosted acrylic.
CERTIFIED: c-CSA-us

CONCEPTION: Acrylique translucide, qui protège les ampoules, avec boîtier en acier plaqué créant un bouclier diffuseur.
SOURCE LUMINEUSE: Indirect seulement (3415) pour DEL 6W ou CFL 18W ou CFL 26W; direct / indirect (3415B) DEL 2 x 6W ou CFL 2 x 18W.
STRUCTURE: Boîtier d'acier découpé et plié avec placage chrome satiné. Structure intérieure peinte avec peinture électrostatique à base de polyester blanche.
DIFFUSEUR: Acrylique givré translucide.
CERTIFIÉ: c-CSA-us



SPECIFICATIONS

LIGHT SOURCE
MODULE
LUMENS (ESTIMATED)
CRI
ROHS
HOUSING
HEATSINK
LIGHT DISTRIBUTION
DIFFUSER
VOLTAGE
DRIVER / BALLAST
DIMMING
EMERGENCY
LM-79
WARRANTY

LED

1 x 6W (3415) / 2 x 6W (3415B)
UL recognized - made in USA
1 x 6W (3415): 510 lm / 2 x 6W (3415B): 1020 lm
85 CRI (typical)
Compliant
Die-formed satin chromed steel
Aluminium
Indirect / Direct-Indirect
Translucent acrylic
120V or 277V
700 mA
Phase dimming (DP) or 0-10V dimming (DV)
On request
5 years

FLUORESCENT

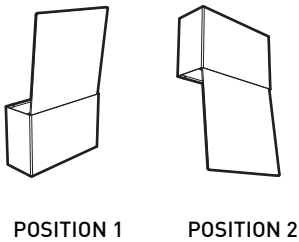
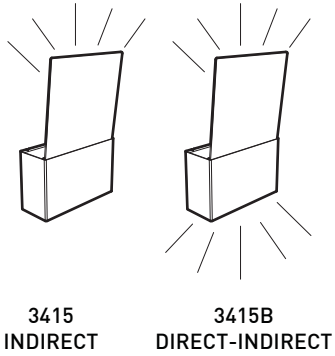
1 x 18 or 26W CFL (3415) / 2 x 18w CFL (3415B)
1250 lm/lamp (18W) & 1800 lm/lamp (26W)
Die-formed satin chromed steel
Indirect / Direct-Indirect
Translucent acrylic
120-277/347V, 120-277V (Dimming)
Universal
Advance Mark 7 & Mark 10, Lutron Ecosystem Digital or 3-Wire
IOTA ISL-42-EM-B (1 Lamp 26w-425 lm/90 min)
1 year



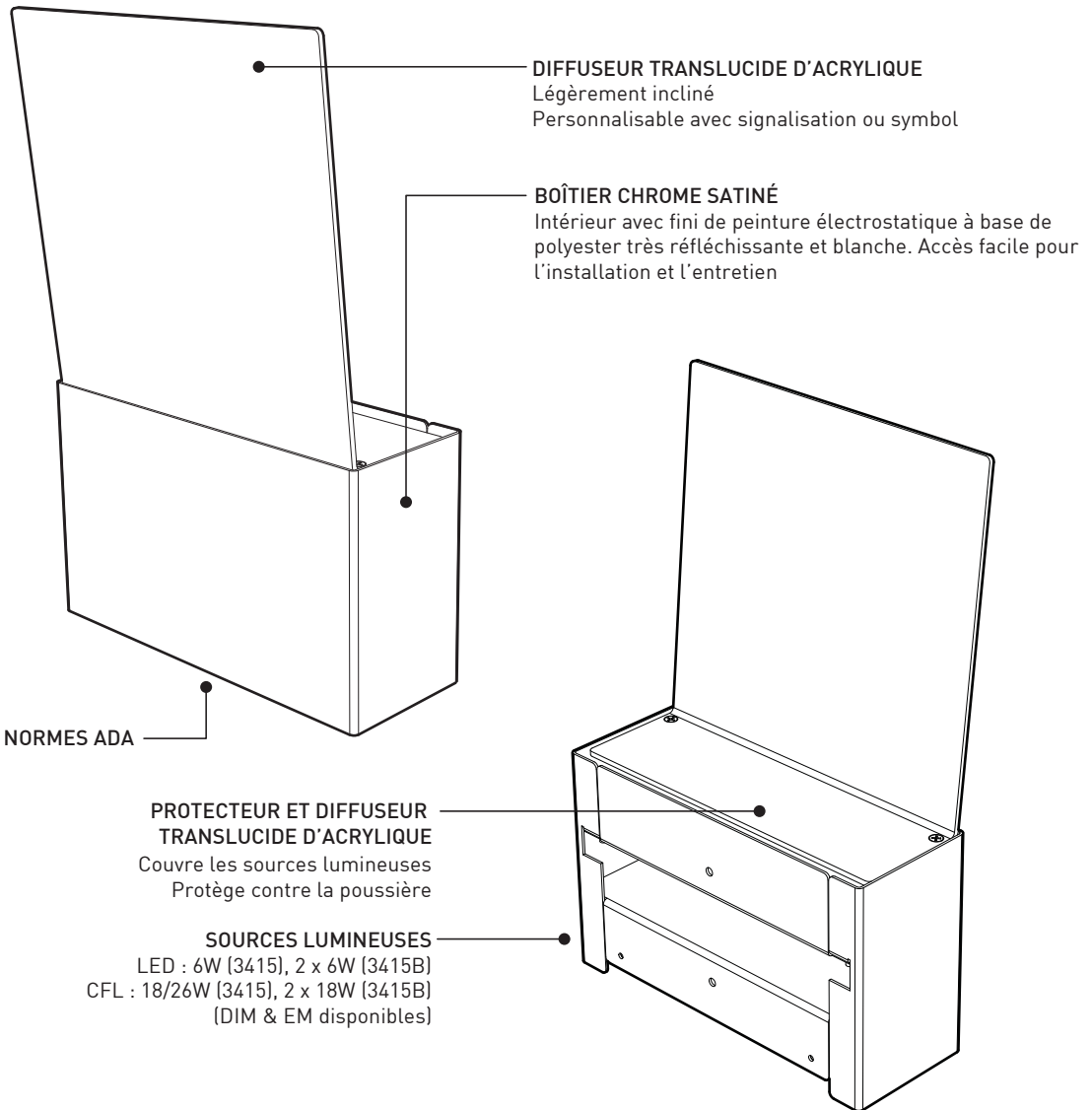
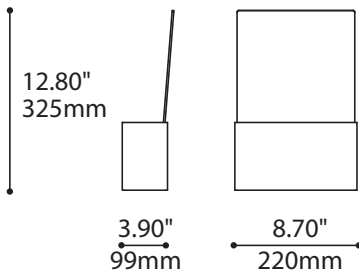
225 de Liège Ouest, Suite #200
Montréal (QC), Canada H2P 1H4
Tel : 514.385.3515 Fax : 514.385.4169
www.eurekalighting.com



3415
3415B



CONFORME AUX NORMES ADA



SPÉCIFICATIONS

SOURCE LUMINEUSE

MODULE

LUMENS (ESTIMÉS)

IRC

ROHS

BOÎTIER

RADIATEUR

DISTRIBUTION LUMINEUSE

DIFFUSEUR

VOLTAGE

PILOTE / BALLAST

GRADATION

URGENCE

LM-79

GARANTIE

DEL

1 x 6W (3415) / 2 x 6W (3415B)

Reconnu par UL - Fabriqué aux États-Unis

1 x 6W (3415): 510 lm / 2 x 6W (3415B): 1020 lm

85 IRC (typique)

Conforme

Acier embouti avec fini chrome satiné

Aluminium

Indirect / Direct-Indirect

Acrylique translucide

120V ou 277V

700 mA

Gradation phase (DP) ou Gradation 0-10V (DV)

Sur demande

5 ans

FLUORESCENT

1 x 18 ou 26W CFL (3415) / 2 x 18w CFL (3415B)

1250 lm/lamp (18W) & 1800 lm/lamp (26W)

Acier embouti avec fini chrome satiné

Indirect / Direct-Indirect

Acrylique translucide

120-277/347V, 120-277V (à intensité variable)

Universel

Advance Mark 7 & Mark 10, Lutron Ecosystem Digital ou 3-Fils

IOTA ISL-42-EM-B (1 Source 26w-425 lm/90 min)

1 an



225 de Liège Ouest, Suite #200
Montréal (QC), Canada H2P 1H4
Tel : 514.385.3515 Fax : 514.385.4169
www.eurekalingting.com



3415
3415B