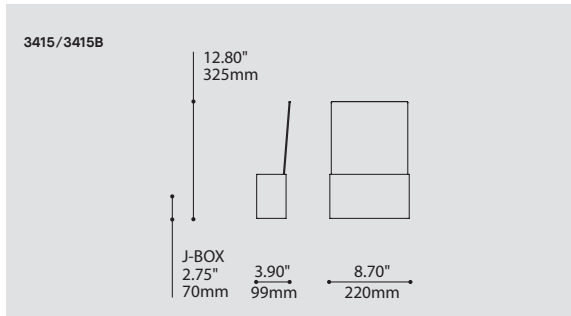


# FLEX MEDIA 3415 / 3415B

|                |
|----------------|
| PROJECT PROJÉT |
| SPEC TYPE      |
| NOTES          |



## OPTIONS



## ORDERING SPECIFICATION SPÉCIFICATION DE COMMANDE




CODE



### MODEL MODÈLE

**3415** FLEX MEDIA (INDIRECT)  
**3415B** FLEX MEDIA (DIRECT / INDIRECT)

### LIGHT SOURCE SOURCE LUMINEUSE

(WATTAGE, LAMP TYPE, LAMP FORM, BASE TYPE, OTHER INFO)

**3415**  
**CF.D.18**  18W, CFL, DOUBLE TWIN TUBE, G24Q2 BASE  
**CF.D.26**  26W, CFL, DOUBLE TWIN TUBE, G24Q3 BASE  
**LED.6**  6W, LED

**3415B**  
**2XCF.D.18**  18W X 2, CFL, DOUBLE TWIN TUBE, G24Q2 BASE  
**2XLED.6**  6W X 2, LED

### COLOR TEMPERATURE TEMPÉRATURE DE COULEUR

FOR LED ONLY

**30** 3000K  
**35** 3500K  
**40** 4000K

### VOLTAGE VOLTAGE

**120V** 120 VOLT  
**277V** 277 VOLT  
**347V\*** 347 VOLT

\*ONLY AVAILABLE WITH CF.D.18, CF.D.26 & 2XCF.D.18 (NON-DIMMING BALLAST)

### DIMMING OPTION OPTION DE GRADATION

AVAILABLE WITH CF.D.18, CF.D.26 & 2XCF.D.18

**DM1** ADVANCE MARK 10 ELECTRONIC DIMMING BALLAST  
**DM7** ADVANCE MARK 7 ELECTRONIC DIMMING BALLAST  
**DED** LUTRON ECOSYSTEM ELECTRONIC DIMMING BALLAST (ECOSYSTEM DIGITAL LINK WIRING)  
**DE3** LUTRON ECOSYSTEM ELECTRONIC DIMMING BALLAST (3-WIRE WIRING)

AVAILABLE WITH LED ONLY

**DV** 0-10V DIMMING (120-277V)  
**DP** PHASE DIMMING (120V ONLY)

### EMERGENCY BATTERY BATTERIE D'URGENCE

AVAILABLE WITH CF.D.18, CF.D.26 & 2XCF.D.18, 120V OR 277V ONLY  
 NOT AVAILABLE WITH A DIMMING BALLAST

**REM<sup>(1)</sup>** REMOTE EMERGENCY BATTERY  
<sup>(1)</sup> 3981 ACCESSORY IS REQUIRED FOR THIS OPTION

### STRUCTURE FINISH FINI STRUCTURE

**SC** SATIN CHROME

### DIFFUSER FINISH FINI DIFFUSEUR

**FRO** FROSTED

### ACCESSORY ACCESSOIRE

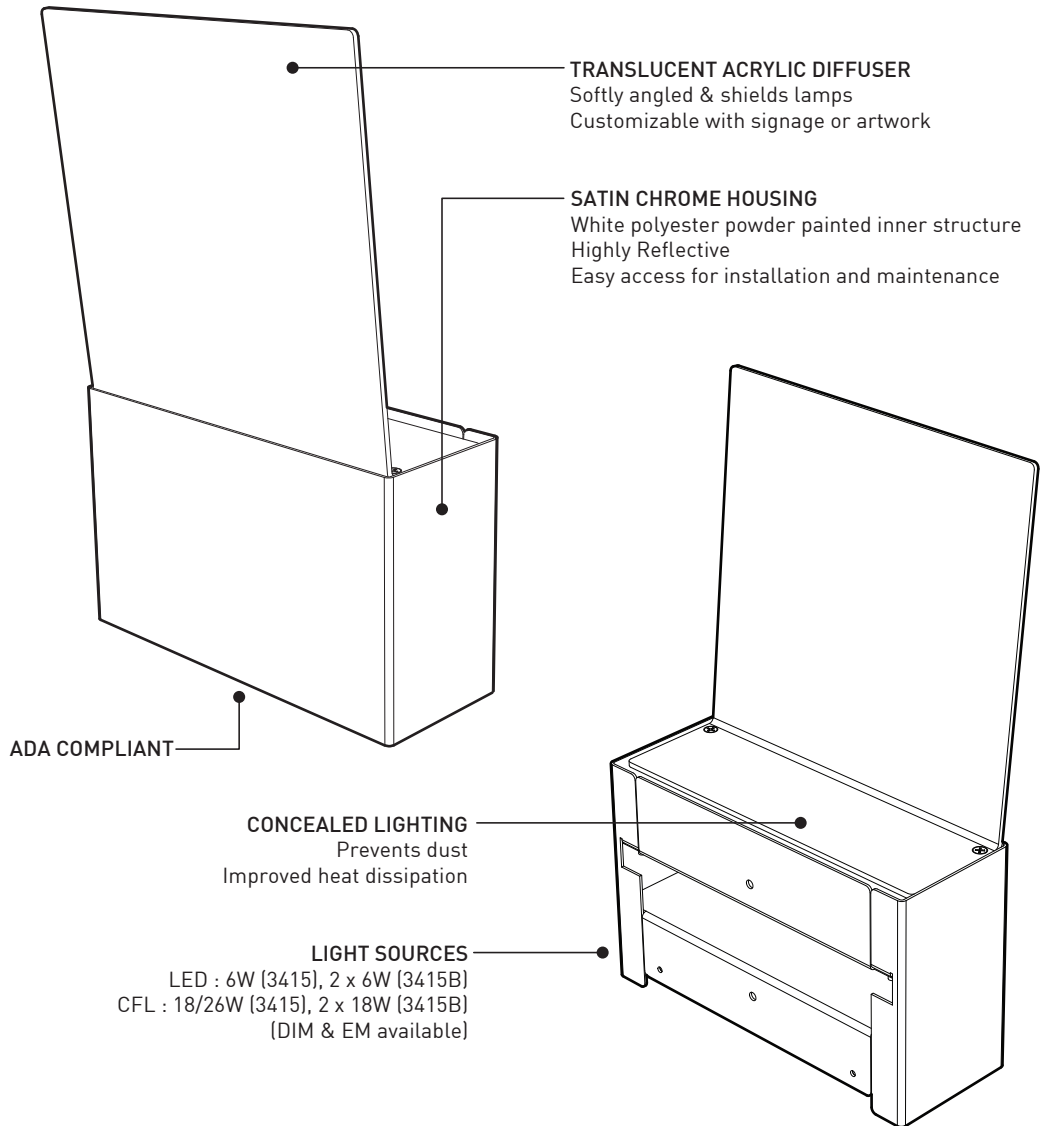
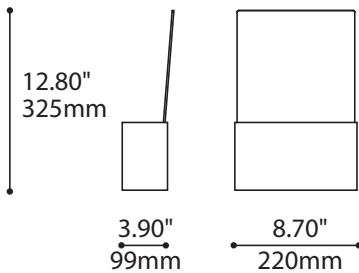
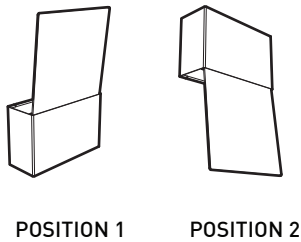
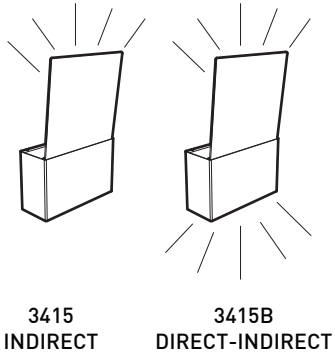
**3981** JUNCTION BOX FOR CFL REMOTE EMERGENCY BATTERY

## PRODUCT CHARACTERISTICS CARACTÉRISTIQUES DU PRODUIT



**DESIGN:** Plated steel housing and softly angled translucent acrylic diffusers shield lamps.  
**LIGHT SOURCE:** Indirect only (3415) either 6W LED or 18W CFL or 26W CFL; direct / indirect (3415B) either 2 x 6W LED or 2 x 18W CFL.  
**STRUCTURE:** Die-formed satin chromed housing with white polyester powder painted inner structure.  
**DIFFUSER:** Translucent frosted acrylic.  
**CERTIFIED:** c-CSA-us

**CONCEPTION:** Acrylique translucide, qui protège les ampoules, avec boîtier en acier plaqué créant un bouclier diffuseur.  
**SOURCE LUMINEUSE:** Indirect seulement (3415) pour DEL 6W ou CFL 18W ou CFL 26W; direct / indirect (3415B) DEL 2 x 6W ou CFL 2 x 18W.  
**STRUCTURE:** Boîtier d'acier découpé et plié avec placage chrome satiné. Structure intérieure peinte avec peinture électrostatique à base de polyester blanche.  
**DIFFUSEUR:** Acrylique givré translucide.  
**CERTIFIÉ:** c-CSA-us



## SPECIFICATIONS

LIGHT SOURCE  
MODULE  
LUMENS (ESTIMATED)  
CRI  
ROHS  
HOUSING  
HEATSINK  
LIGHT DISTRIBUTION  
DIFFUSER  
VOLTAGE  
DRIVER / BALLAST  
DIMMING  
EMERGENCY  
LM-79  
WARRANTY

## LED

1 x 6W (3415) / 2 x 6W (3415B)  
UL recognized - made in USA  
1 x 6W (3415): 510 lm / 2 x 6W (3415B): 1020 lm  
85 CRI (typical)  
Compliant  
Die-formed satin chromed steel  
Aluminium  
Indirect / Direct-Indirect  
Translucent acrylic  
120V or 277V  
700 mA  
Phase dimming (DP) or 0-10V dimming (DV)  
On request  
5 years

## FLUORESCENT

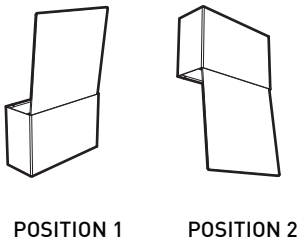
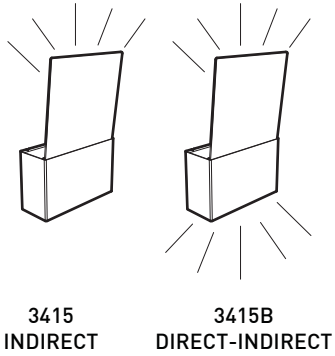
1 x 18 or 26W CFL (3415) / 2 x 18w CFL (3415B)  
1250 lm/lamp (18W) & 1800 lm/lamp (26W)  
Die-formed satin chromed steel  
Indirect / Direct-Indirect  
Translucent acrylic  
120-277/347V, 120-277V (Dimming)  
Universal  
Advance Mark 7 & Mark 10, Lutron Ecosystem Digital or 3-Wire  
IOTA ISL-42-EM-B (1 Lamp 26w-425 lm/90 min)  
1 year



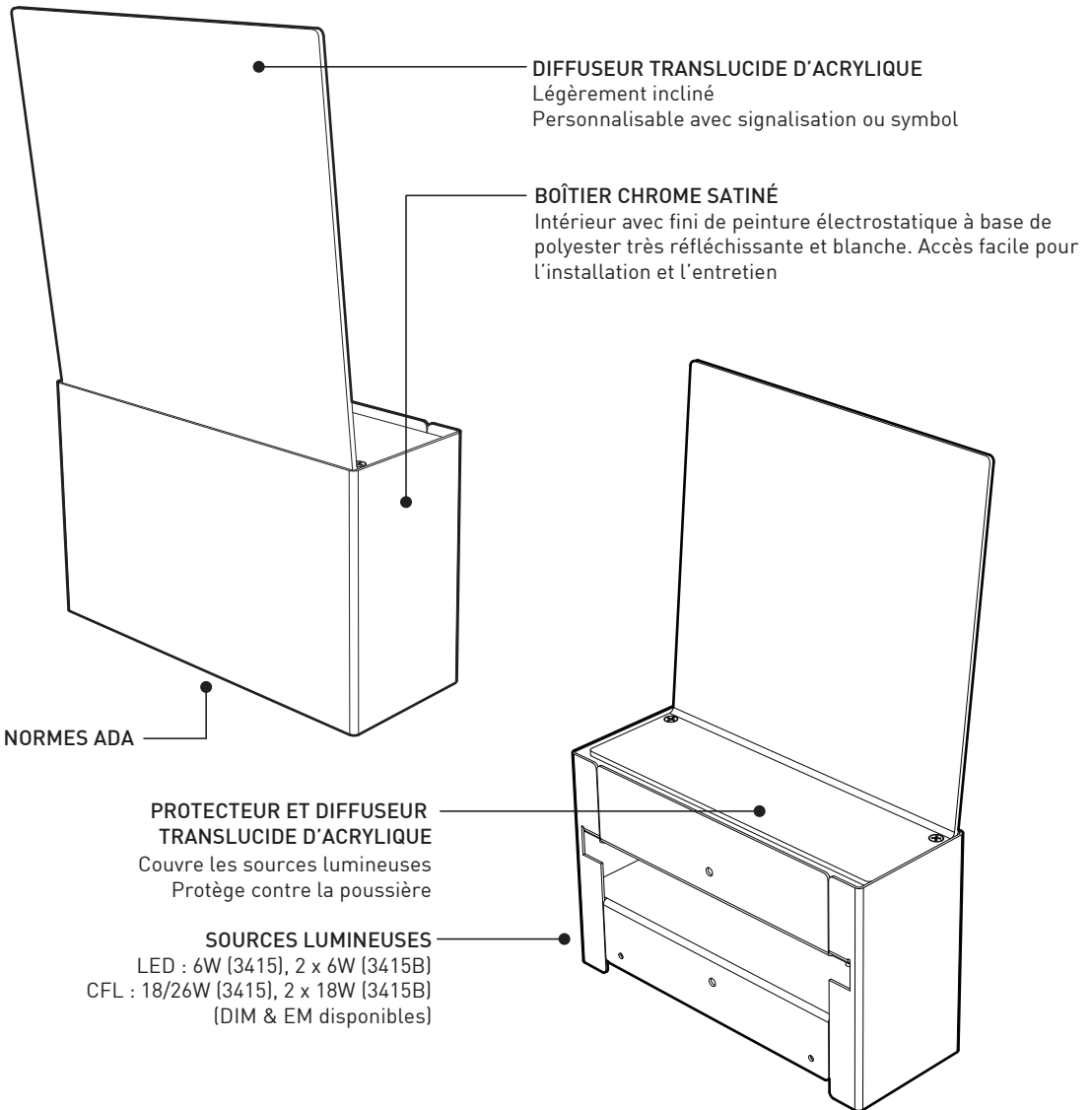
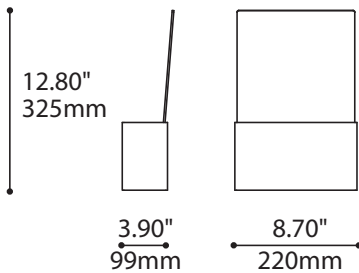
225 de Liège Ouest, Suite #200  
Montréal (QC), Canada H2P 1H4  
Tel : 514.385.3515 Fax : 514.385.4169  
[www.eurekalighting.com](http://www.eurekalighting.com)



**3415**  
**3415B**



CONFORME AUX NORMES ADA



## SPÉCIFICATIONS

SOURCE LUMINEUSE

MODULE

LUMENS (ESTIMÉS)

IRC

ROHS

BOÎTIER

RADIATEUR

DISTRIBUTION LUMINEUSE

DIFFUSEUR

VOLTAGE

PILOTE / BALLAST

GRADATION

URGENCE

LM-79

GARANTIE

## DEL

1 x 6W (3415) / 2 x 6W (3415B)

Reconnu par UL - Fabriqué aux États-Unis

1 x 6W (3415): 510 lm / 2 x 6W (3415B): 1020 lm

85 IRC (typique)

Conforme

Acier embouti avec fini chrome satiné

Aluminium

Indirect / Direct-Indirect

Acrylique translucide

120V ou 277V

700 mA

Gradation phase (DP) ou Gradation 0-10V (DV)

Sur demande

5 ans

## FLUORESCENT

1 x 18 ou 26W CFL (3415) / 2 x 18w CFL (3415B)

1250 lm/lamp (18W) & 1800 lm/lamp (26W)

Acier embouti avec fini chrome satiné

Indirect / Direct-Indirect

Acrylique translucide

120-277/347V, 120-277V (à intensité variable)

Universel

Advance Mark 7 & Mark 10, Lutron Ecosystem Digital ou 3-Fils

IOTA ISL-42-EM-B (1 Source 26w-425 lm/90 min)



225 de Liège Ouest, Suite #200  
Montréal (QC), Canada H2P 1H4  
Tel : 514.385.3515 Fax : 514.385.4169  
[www.eurekalighting.com](http://www.eurekalighting.com)



**3415**  
**3415B**