

# MOONRISE PLUS 3540-23

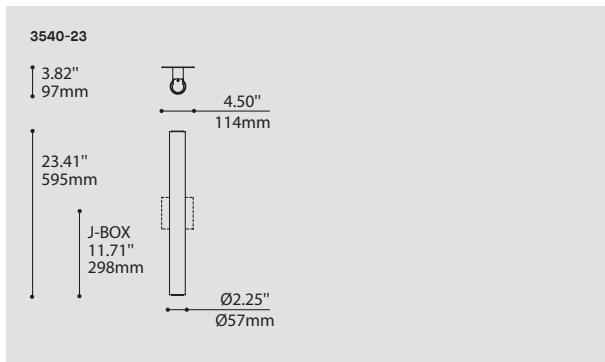
PROJECT PROJET
SPEC TYPE
NOTES



## FAMILY FAMILLE



74540



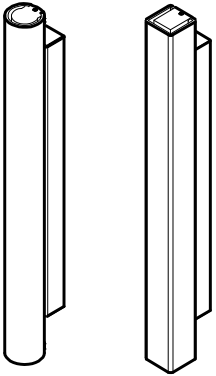
ORDERING SPECIFICATION	SPÉCIFICATION DE COMMANDE	CODE
<b>MODEL</b> MODÈLE		<b>3540-23</b>
<b>3540-23</b>	MOONRISE PLUS 23* (ROUND ACRYLIC)	
<b>LIGHT SOURCE</b> SOURCE LUMINEUSE		
<b>F.T5.14</b>	14W, T5	
<b>F.T5.24</b>	24W, T5 HO	
<b>LED</b>	REGULAR OUTPUT	
<b>LED.HO</b>	HIGH OUTPUT	
<b>COLOR TEMPERATURE</b> TEMPÉRATURE DE COULEUR <sup>(A)</sup>		
<b>30</b>	3000K	
<b>35</b>	3500K	
<b>40</b>	4000K	
	<sup>(A)</sup> FOR LED ONLY	
<b>VOLTAGE</b> VOLTAGE		
<b>120V</b>	120 VOLT	
<b>277V</b>	277 VOLT	
<b>347V*</b>	347 VOLT	
	* ONLY AVAILABLE WITH T5 (NON-DIMMING BALLAST)	
<b>DIMMING OPTION</b> OPTION DE GRADATION		
	AVAILABLE WITH F.T5.14 ONLY	
<b>DM7</b>	ADVANCE MARK 7 ELECTRONIC DIMMING BALLAST	
	AVAILABLE WITH ALL T5 LIGHT SOURCES	
<b>D3D</b>	LUTRON HI-LUME 3D ELECTRONIC DIMMING BALLAST (ECOSYSTEM DIGITAL LINK WIRING)	
<b>D33</b>	LUTRON HI-LUME 3D ELECTRONIC DIMMING BALLAST (3-WIRE WIRING)	
	AVAILABLE WITH ALL LED LIGHT SOURCES	
<b>DV</b>	0-10V DIMMING (120V-277V)	
<b>DP</b>	PHASE DIMMING (120V ONLY)	
<b>EMERGENCY BATTERY</b> BATTERIE D'URGENCE		
	AVAILABLE WITH LED SOURCES 120-277V. EM DRIVER BOX INCLUDED, INSTALLED REMOTELY. SEE EM GUIDE FOR DETAILS.	
<b>EMB <sup>(1)</sup></b>	EMERGENCY BATTERY FOR REMOTE BOX	
	AVAILABLE WITH ALL T5 LIGHT SOURCES, 120V OR 277V ONLY. NOT AVAILABLE WITH A DIMMING BALLAST OR WITH A 3980 ACCESSORY (MINI JUNCTION BOX). VERTICAL INSTALLATION ONLY. J-BOX COVER PLATE (8.50" X 4.50") REQUIRED, SUPPLIED WITH THE PRODUCT.	
<b>REM <sup>(2)</sup></b>	RECESSED EMERGENCY BATTERY	
	<sup>(1)</sup> 3981EA ACCESSORY IS REQUIRED <sup>(2)</sup> 3981B ACCESSORY IS REQUIRED	
<b>HOUSING</b> BOITIER		
<b>CHR</b>	CHROME	
<b>S C</b>	SATIN CHROME	
<b>DIFFUSER FINISH</b> FINI DIFFUSEUR		<b>WH</b>
<b>WH</b>	WHITE	
<b>ACCESSORY</b> ACCESSOIRE		
<b>3980</b>	MINI JUNCTION BOX	
<b>3981B</b>	JUNCTION BOX FOR T5 EMERGENCY BATTERY AND REMOTE EMERGENCY BATTERY	
<b>3981EA</b>	ELECTRICAL BOX FOR EMB EMERGENCY BATTERY	

## PRODUCT CHARACTERISTICS CARACTÉRISTIQUES DU PRODUIT

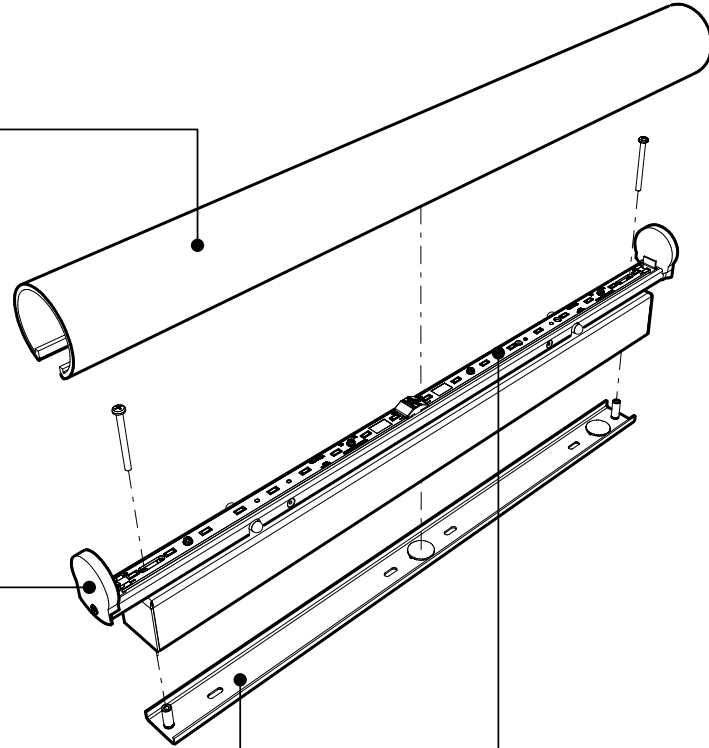


# MOONRISE PLUS, MOONSET PLUS 354X - 23

3540-23 MOONRISE      3541-23 MOONSET



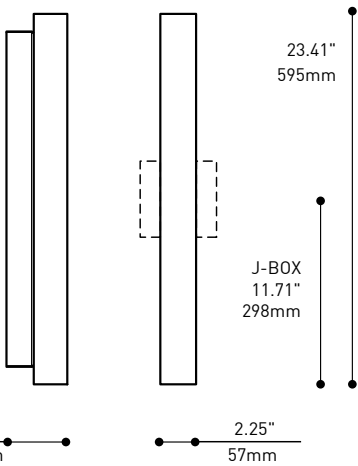
**HIGH PERFORMANCE LENS**  
Custom blended and extruded PMMA (Acrylic composite) lens perfectly diffused with led lights source, available in round and square shape



**ENDCAPS**  
Machined steel endcaps mechanically attached to structure with one-way security screw

**EASY MOUNTING**  
Die-formed steel structure provides an easy access to component wiring

**LED LIGHT ENGINE**  
ANSI binned white LED Nichia w/ on-board thermal management



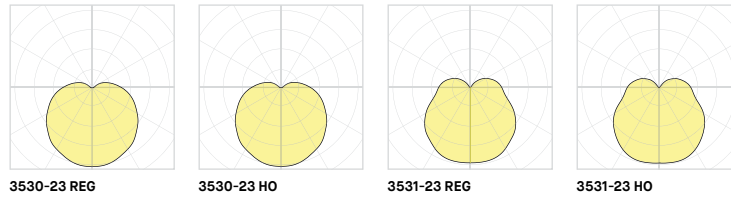
**PRODUCT SPECIFICATION**      3530-23 REG      3530-23 HO      3531-23 REG      3531-23 HO

PERFORMANCE				
<b>SYSTEM WATTAGE</b>	10 W	14.5 W	10 W	14.5 W
<b>DELIVERED LUMENS (4000K)</b>	899 LM	1292 LM	889 LM	1278 LM
<b>EFFICACY</b>	89.9 LM/W	89.1 LM/W	89.9 LM/W	88.14 LM/W
OTHER INFORMATIONS				
<b>LUMINAIRE'S WEIGHT</b>	6.13 LBS / 2.78 KG	6.13 LBS / 2.78 KG	6.13 LBS / 2.78 KG	6.13 LBS / 2.78 KG
<b>L70 (MAINTENANCE DE LA LUMIÈRE)</b>	> 60 000HRS	> 60 000HRS	> 60 000HRS	> 60 000HRS

**EFFICACY MULTIPLIERS**

CRI	CCT	FACTOR
80+	4000K	1.00
80+	3500K	0.98
80+	3000K	0.94
80+	2700K	0.91
90+	4000K	0.88
90+	3500K	0.85
90+	3000K	0.81
90+	2700K	0.77

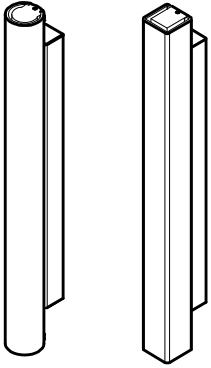
**LIGHT DISTRIBUTION**



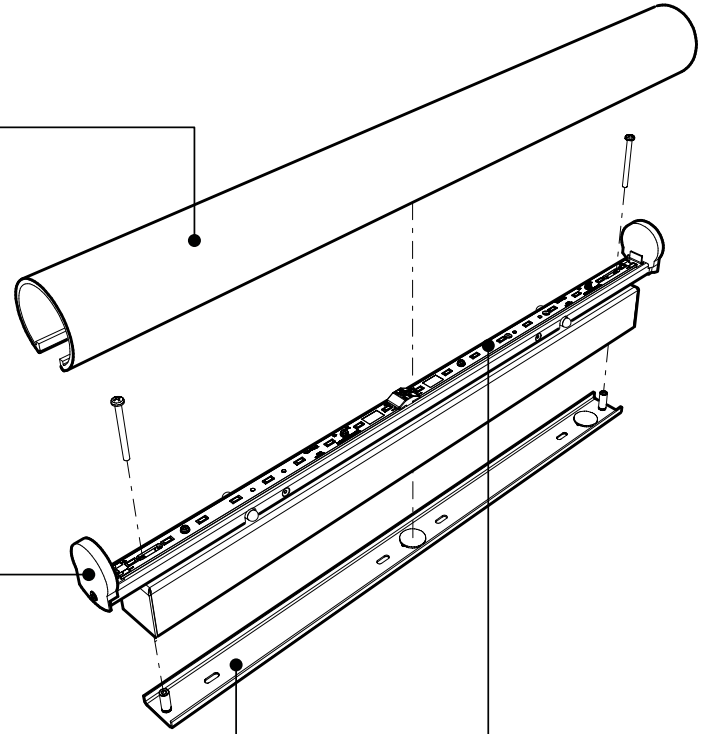
**TECHNICAL DATA**

# MOONRISE PLUS, MOONSET PLUS 354X - 23

3540-23 MOONRISE      3541-23 MOONSET



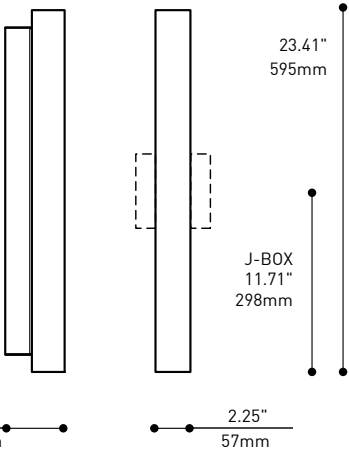
**DIFFUSEUR À HAUTE PERFORMANCE**  
 PProfil acrylique de l'extrusion  
 PMMA blanc disponible en forme ronde  
 ou en forme carrée, parfaitement illuminé  
 avec les sources d'éclairage à base de LED



**EMBOUS**  
 Usinés en acier  
 attachés mécaniquement à la structure  
 à l'aide d'une vis de sécurité

**INSTALLATION SIMPLE**  
 Système de montage facilitant  
 l'accès aux composants électriques

**SOURCE LUMINEUSE À LED**  
 Bandes de LED Nichia blanches offertes  
 avec dissipateur thermique intégré



**SPÉCIFICATION PRODUIT**      3530-23 REG      3530-23 HO      3531-23 REG      3531-23 HO

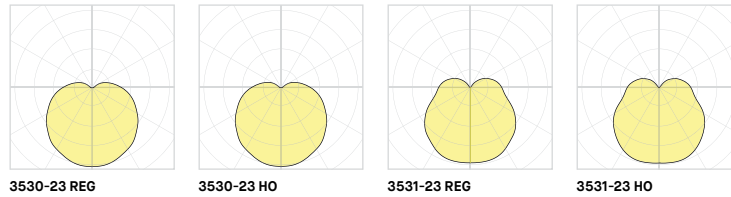
PERFORMANCE				
<b>PUISSANCE TOTALE</b>	10 W	14.5 W	10 W	14.5 W
<b>LUMENS RÉELS (4000K)</b>	899 LM	1292 LM	889 LM	1278 LM
<b>EFFICACITÉ</b>	89.9 LM/W	89.1 LM/W	89.9 LM/W	88.14 LM/W

AUTRES INFORMATIONS				
<b>POIDS PAR TÊTE</b>	6.13 LBS / 2.78 KG	6.13 LBS / 2.78 KG	6.13 LBS / 2.78 KG	6.13 LBS / 2.78 KG
<b>L70 (MAINTENANCE DE LA LUMIÈRE)</b>	> 60 000 H	> 60 000 H	> 60 000 H	> 60 000 H

**FACTEUR D'EFFICACITÉ**

IRC	CCT	FACTEUR
80+	4000K	1.00
80+	3500K	0.98
80+	3000K	0.94
80+	2700K	0.91
90+	4000K	0.88
90+	3500K	0.85
90+	3000K	0.81
90+	2700K	0.77

**DISTRIBUTION LUMINEUSE**



## DONNÉES TECHNIQUES