

MOONRISE PLUS 3540-47

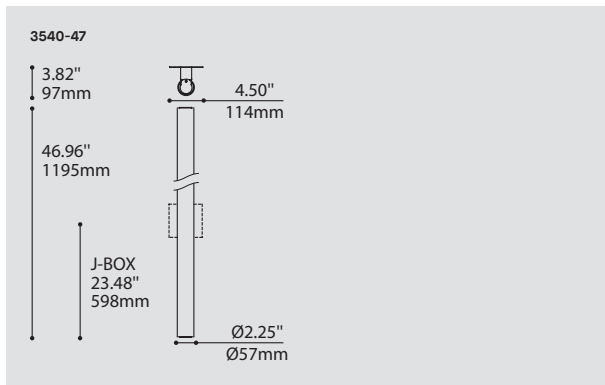
PROJECT PROJÉT
SPEC TYPE
NOTES



FAMILY FAMILLE



74540

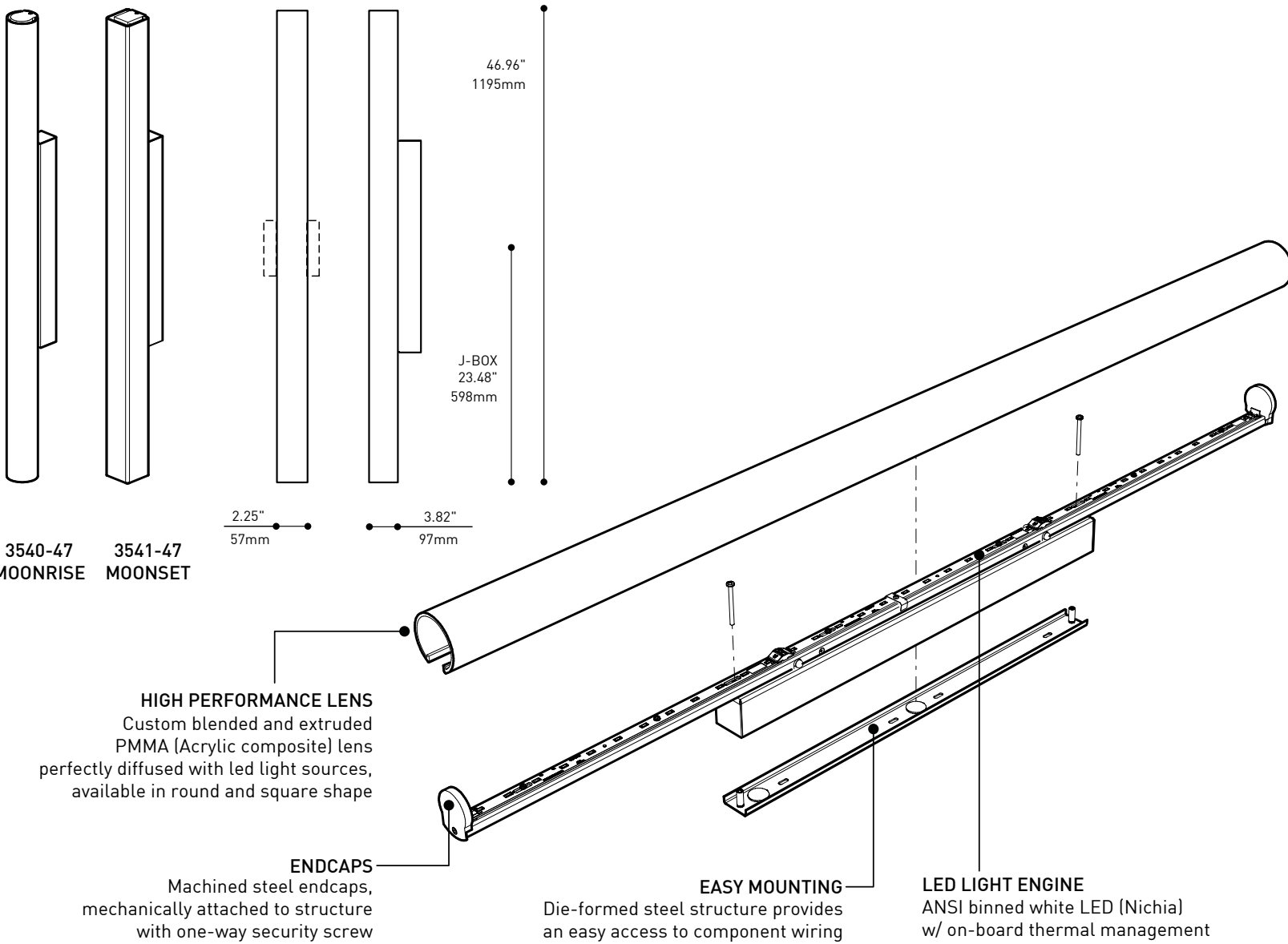


ORDERING SPECIFICATION	SPÉCIFICATION DE COMMANDE	CODE
MODEL MODÈLE		3540-47
3540-47	MOONRISE PLUS 47" (ROUND ACRYLIC)	
LIGHT SOURCE SOURCE LUMINEUSE		
F.T5.28	28W, T5	
F.T5.54	54W, T5 HO	
LED	REGULAR OUTPUT	
LED.HO*	HIGH OUTPUT	
	* NOT AVAILABLE WITH PHASE DIMMING	
COLOR TEMPERATURE TEMPÉRATURE DE COULEUR ^(A)		
30	3000K	
35	3500K	
40	4000K	
	^(A) FOR LED ONLY	
VOLTAGE VOLTAGE		
120V	120 VOLT	
277V	277 VOLT	
347V*	347 VOLT	
	* ONLY AVAILABLE WITH T5 (NON-DIMMING BALLAST)	
DIMMING OPTION OPTION DE GRADATION		
AVAILABLE WITH F.T5.54 ONLY		
DM1	ADVANCE MARK 10 ELECTRONIC DIMMING BALLAST	
AVAILABLE WITH ALL T5 LIGHT SOURCES		
DM7	ADVANCE MARK 7 ELECTRONIC DIMMING BALLAST	
D3D	LUTRON HI-LUME 3D ELECTRONIC DIMMING BALLAST (ECOSYSTEM DIGITAL LINK WIRING)	
D33	LUTRON HI-LUME 3D ELECTRONIC DIMMING BALLAST (3-WIRE WIRING)	
AVAILABLE WITH ALL LED LIGHT SOURCES		
DV	0-10V DIMMING (120V-277V)	
DP*	PHASE DIMMING (120V ONLY)	
	* NOT AVAILABLE WITH 74540-47 LED HO	
EMERGENCY BATTERY BATTERIE D'URGENCE		
AVAILABLE WITH LED SOURCES 120-277V. EM DRIVER BOX INCLUDED, INSTALLED REMOTELY. SEE EM GUIDE FOR DETAILS.		
EMB⁽¹⁾	EMERGENCY BATTERY FOR REMOTE BOX	
AVAILABLE WITH ALL T5 LIGHT SOURCES. 120V OR 277V ONLY. NOT AVAILABLE WITH A DIMMING BALLAST OR WITH A 3980 ACCESSORY (MINI JUNCTION BOX). VERTICAL INSTALLATION ONLY. J-BOX COVER PLATE (8.50" X 4.50") REQUIRED, SUPPLIED WITH THE PRODUCT.		
REM⁽²⁾	RECESSED EMERGENCY BATTERY	
	⁽¹⁾ 3981EA ACCESSORY IS REQUIRED	
	⁽²⁾ 3981B ACCESSORY IS REQUIRED	
HOUSING BOITIER		
CHR	CHROME	
S C	SATIN CHROME	
DIFFUSER FINISH FINI DIFFUSEUR		WH
WH	WHITE	
ACCESSORY ACCESSOIRE		
3980	MINI JUNCTION BOX	
3981B	JUNCTION BOX FOR T5 EMERGENCY BATTERY AND REMOTE EMERGENCY BATTERY	
3981EA	ELECTRICAL BOX FOR EMB EMERGENCY BATTERY	

PRODUCT CHARACTERISTICS CARACTÉRISTIQUES DU PRODUIT



MOONRISE PLUS, MOONSET PLUS 354X - 47



HIGH PERFORMANCE LENS
 Custom blended and extruded PMMA (Acrylic composite) lens perfectly diffused with led light sources, available in round and square shape

ENDCAPS
 Machined steel endcaps, mechanically attached to structure with one-way security screw

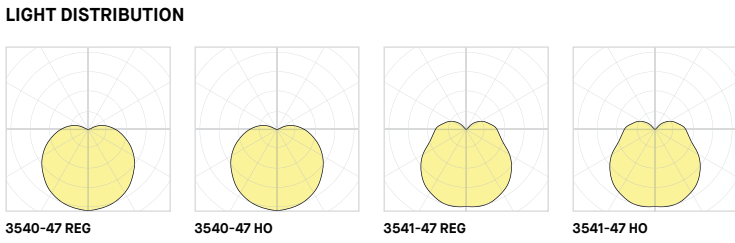
EASY MOUNTING
 Die-formed steel structure provides an easy access to component wiring

LED LIGHT ENGINE
 ANSI binned white LED (Nichia) w/ on-board thermal management

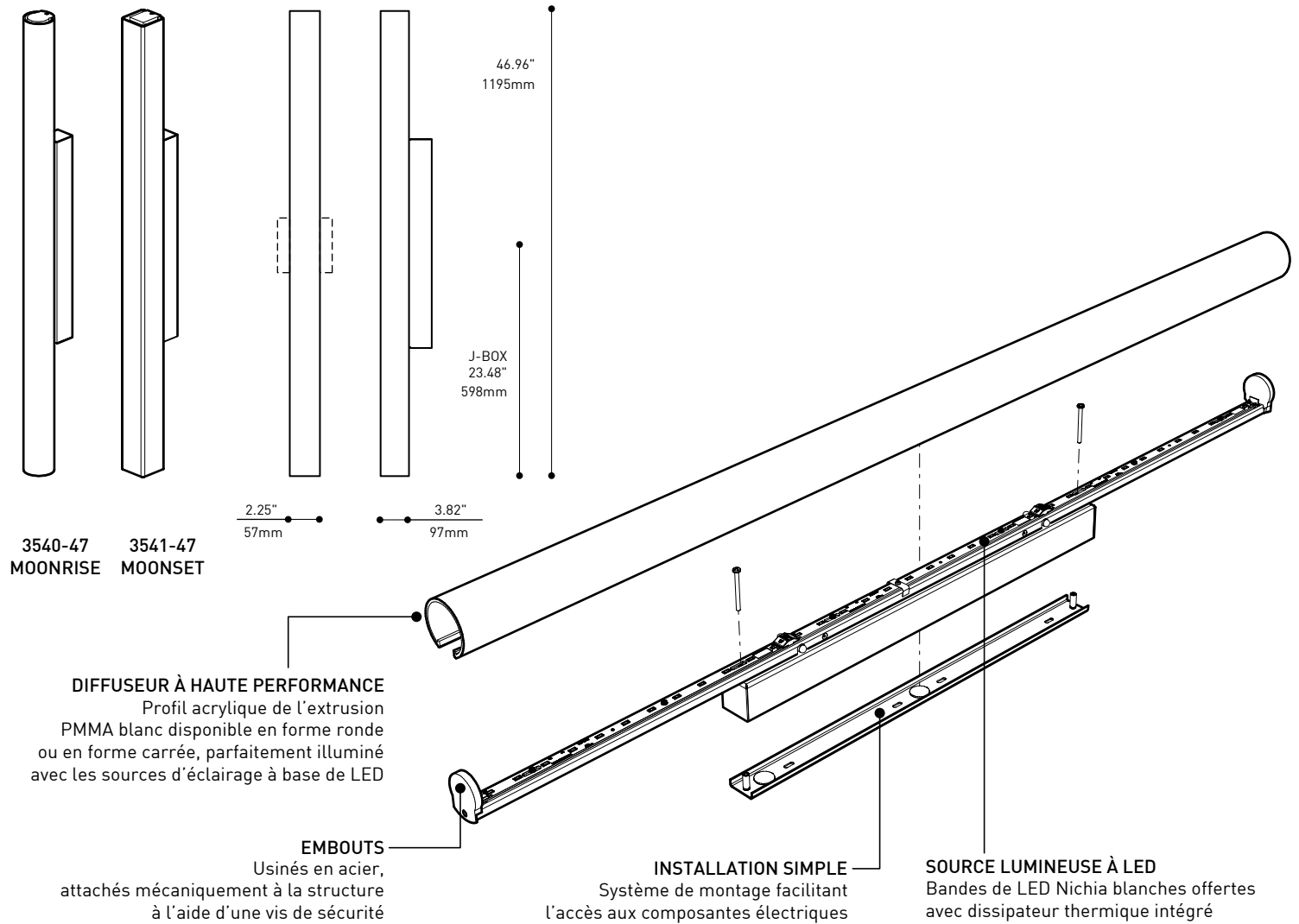
PRODUCT SPECIFICATION	3540-47 REG	3540-47 HO	3541-47 REG	3541-47 HO
PERFORMANCE				
SYSTEM WATTAGE	17.2 W	26.1 W	17.2 W	26.1 W
DELIVERED LUMENS (4000K)	1706 LM	2452 LM	1677 LM	2410 LM
EFFICACY	99.1 LM/W	93.9 LM/W	97.5 LM/W	92.3 LM/W
OTHER INFORMATIONS				
LUMINAIRE'S WEIGHT	7.59 LBS / 3.4 KG	7.59 LBS / 3.4 KG	7.59 LBS / 3.4 KG	7.59 LBS / 3.4 KG
L70 (LUMEN MAINTENANCE)	> 60 000 HRS	> 60 000 HRS	> 60 000 HRS	> 60 000 HRS

EFFICACY MULTIPLIERS

CRI	CCT	FACTOR
80+	4000K	1.00
80+	3500K	0.98
80+	3000K	0.94
80+	2700K	0.91
90+	4000K	0.88
90+	3500K	0.85
90+	3000K	0.81
90+	2700K	0.77



MOONRISE PLUS, MOONSET PLUS 354X - 47



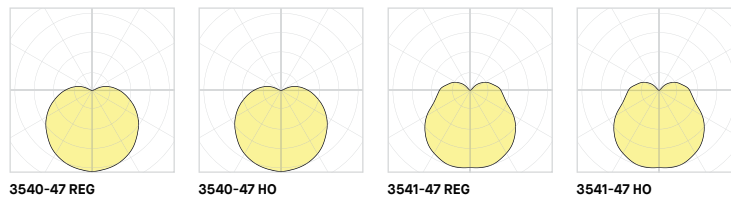
SPECIFICATION PRODUIT

	3540-47 REG	3540-47 HO	3541-47 REG	3541-47 HO
PERFORMANCE				
PUISSANCE TOTALE	17.2 W	26.1 W	17.2 W	26.1 W
LUMENS RÉELS (4000K)	1706 LM	2452 LM	1677 LM	2410 LM
EFFICACITÉ	99.1 LM/W	93.9 LM/W	97.5 LM/W	92.3 LM/W
AUTRES INFORMATIONS				
POIDS PAR TÊTE	7.59 LBS / 3.4 KG	7.59 LBS / 3.4 KG	7.59 LBS / 3.4 KG	7.59 LBS / 3.4 KG
L70 (MAINTENANCE DE LA LUMIÈRE)	> 60 000 H	> 60 000 H	> 60 000 H	> 60 000 H

FACTEUR D'EFFICACITÉ

IRC	CCT	FACTEUR
80+	4000K	1.00
80+	3500K	0.98
80+	3000K	0.94
80+	2700K	0.91
90+	4000K	0.88
90+	3500K	0.85
90+	3000K	0.81
90+	2700K	0.77

DISTRIBUTION LUMINEUSE



Visitez notre site Web pour les termes et conditions.