

MOONSET PLUS 3541-23

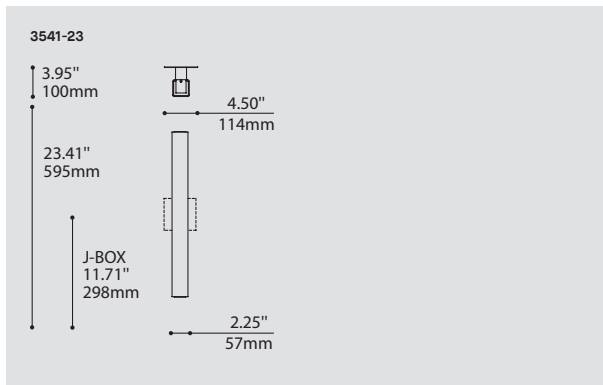
PROJECT PROJET
SPEC TYPE
NOTES



FAMILY FAMILLE



74541



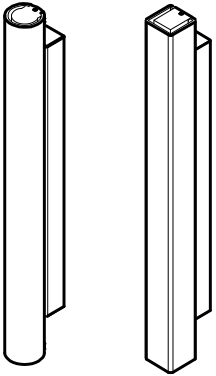
ORDERING SPECIFICATION	SPÉCIFICATION DE COMMANDE	CODE
MODEL MODÈLE		3541-23
3541-23	MOONSET PLUS 23" (SQUARE ACRYLIC)	
LIGHT SOURCE SOURCE LUMINEUSE		
F.T5.14	14W, T5	
F.T5.24	24W, T5 HO	
LED	REGULAR OUTPUT	
LED.HO	HIGH OUTPUT	
COLOR TEMPERATURE TEMPÉRATURE DE COULEUR ^(A)		
30	3000K	
35	3500K	
40	4000K	
	^(A) FOR LED ONLY	
VOLTAGE VOLTAGE		
120V	120 VOLT	
277V	277 VOLT	
347V*	347 VOLT	
	* ONLY AVAILABLE WITH T5 (NON-DIMMING BALLAST)	
DIMMING OPTION OPTION DE GRADATION		
	AVAILABLE WITH F.T5.14 ONLY	
DM7	ADVANCE MARK 7 ELECTRONIC DIMMING BALLAST	
	AVAILABLE WITH ALL T5 LIGHT SOURCES	
D3D	LUTRON HI-LUME 3D ELECTRONIC DIMMING BALLAST (ECOSYSTEM DIGITAL LINK WIRING)	
D33	LUTRON HI-LUME 3D ELECTRONIC DIMMING BALLAST (3-WIRE WIRING)	
	AVAILABLE WITH ALL LED LIGHT SOURCES	
DV	0-10V DIMMING (120V-277V)	
DP	PHASE DIMMING (120V ONLY)	
EMERGENCY BATTERY BATTERIE D'URGENCE		
	AVAILABLE WITH LED SOURCES 120-277V. EM DRIVER BOX INCLUDED, INSTALLED REMOTELY. SEE EM GUIDE FOR DETAILS.	
EMB ⁽¹⁾	EMERGENCY BATTERY FOR REMOTE BOX	
	AVAILABLE WITH ALL T5 LIGHT SOURCES, 120V OR 277V ONLY. NOT AVAILABLE WITH A DIMMING BALLAST OR WITH A 3980 ACCESSORY (MINI JUNCTION BOX). VERTICAL INSTALLATION ONLY. J-BOX COVER PLATE (8.50" X 4.50") REQUIRED, SUPPLIED WITH THE PRODUCT.	
REM ⁽²⁾	RECESSED EMERGENCY BATTERY	
	⁽¹⁾ 3981EA ACCESSORY IS REQUIRED ⁽²⁾ 3981B ACCESSORY IS REQUIRED	
HOUSING BOITIER		
CHR	CHROME	
S C	SATIN CHROME	
DIFFUSER FINISH FINI DIFFUSEUR		WH
WH	WHITE	
ACCESSORY ACCESSOIRE		
3980	MINI JUNCTION BOX	
3981B	JUNCTION BOX FOR T5 EMERGENCY BATTERY AND REMOTE EMERGENCY BATTERY	
3981EA	ELECTRICAL BOX FOR EMB EMERGENCY BATTERY	

PRODUCT CHARACTERISTICS CARACTÉRISTIQUES DU PRODUIT

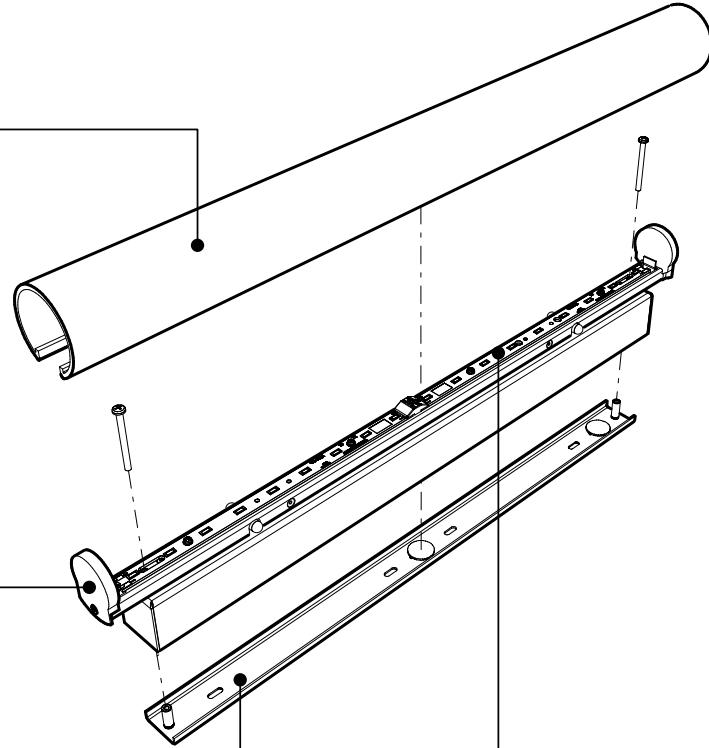


MOONRISE PLUS, MOONSET PLUS 354X - 23

3540-23 MOONRISE 3541-23 MOONSET



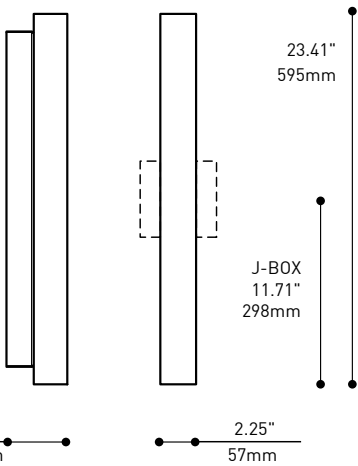
HIGH PERFORMANCE LENS
Custom blended and extruded PMMA (Acrylic composite) lens perfectly diffused with led lights source, available in round and square shape



ENDCAPS
Machined steel endcaps mechanically attached to structure with one-way security screw

EASY MOUNTING
Die-formed steel structure provides an easy access to component wiring

LED LIGHT ENGINE
ANSI binned white LED Nichia w/ on-board thermal management



PRODUCT SPECIFICATION 3530-23 REG 3530-23 HO 3531-23 REG 3531-23 HO

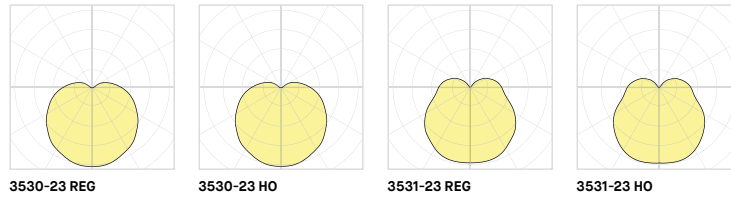
PERFORMANCE				
SYSTEM WATTAGE	10 W	14.5 W	10 W	14.5 W
DELIVERED LUMENS (4000K)	899 LM	1292 LM	889 LM	1278 LM
EFFICACY	89.9 LM/W	89.1 LM/W	89.9 LM/W	88.14 LM/W

OTHER INFORMATIONS				
LUMINAIRE'S WEIGHT	6.13 LBS / 2.78 KG	6.13 LBS / 2.78 KG	6.13 LBS / 2.78 KG	6.13 LBS / 2.78 KG
L70 (MAINTENANCE DE LA LUMIÈRE)	> 60 000HRS	> 60 000HRS	> 60 000HRS	> 60 000HRS

EFFICACY MULTIPLIERS

CRI	CCT	FACTOR
80+	4000K	1.00
80+	3500K	0.98
80+	3000K	0.94
80+	2700K	0.91
90+	4000K	0.88
90+	3500K	0.85
90+	3000K	0.81
90+	2700K	0.77

LIGHT DISTRIBUTION



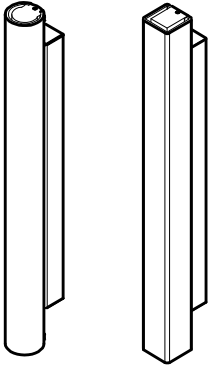
Visit our website for warranty terms and conditions.



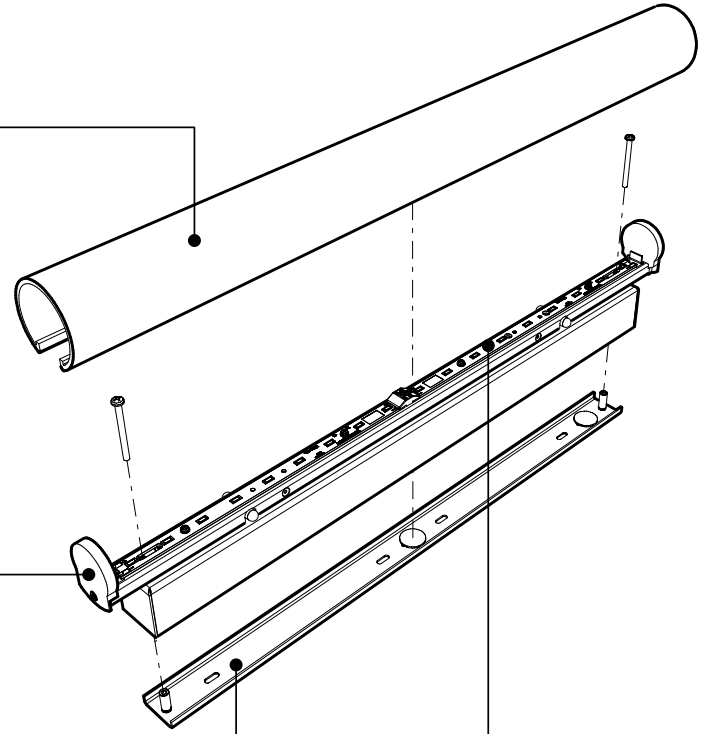
TECHNICAL DATA

MOONRISE PLUS, MOONSET PLUS 354X - 23

3540-23 MOONRISE 3541-23 MOONSET



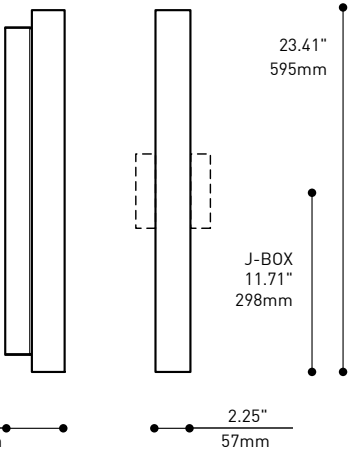
DIFFUSEUR À HAUTE PERFORMANCE
 PProfil acrylique de l'extrusion
 PMMA blanc disponible en forme ronde
 ou en forme carrée, parfaitement illuminé
 avec les sources d'éclairage à base de LED



EMBOUS
 Usinés en acier
 attachés mécaniquement à la structure
 à l'aide d'une vis de sécurité

INSTALLATION SIMPLE
 Système de montage facilitant
 l'accès aux composants électriques

SOURCE LUMINEUSE À LED
 Bandes de LED Nichia blanches offertes
 avec dissipateur thermique intégré



SPÉCIFICATION PRODUIT 3530-23 REG 3530-23 HO 3531-23 REG 3531-23 HO

PERFORMANCE

PUISSANCE TOTALE	10 W	14.5 W	10 W	14.5 W
LUMENS RÉELS (4000K)	899 LM	1292 LM	889 LM	1278 LM
EFFICACITÉ	89.9 LM/W	89.1 LM/W	89.9 LM/W	88.14 LM/W

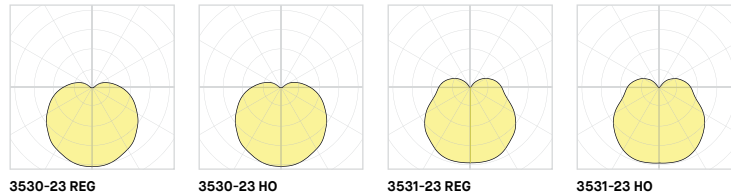
AUTRES INFORMATIONS

POIDS PAR TÊTE	6.13 LBS / 2.78 KG	6.13 LBS / 2.78 KG	6.13 LBS / 2.78 KG	6.13 LBS / 2.78 KG
L70 (MAINTENANCE DE LA LUMIÈRE)	> 60 000 H	> 60 000 H	> 60 000 H	> 60 000 H

FACTEUR D'EFFICACITÉ

IRC	CCT	FACTEUR
80+	4000K	1.00
80+	3500K	0.98
80+	3000K	0.94
80+	2700K	0.91
90+	4000K	0.88
90+	3500K	0.85
90+	3000K	0.81
90+	2700K	0.77

DISTRIBUTION LUMINEUSE



Visitez notre site Web pour les termes et conditions.



DONNÉES TECHNIQUES