

# MOONSET PLUS 3541-35

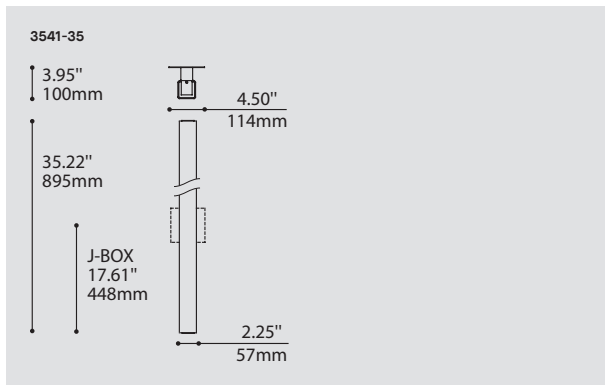
PROJECT PROJET
SPEC TYPE
NOTES



## FAMILY FAMILLE



74541



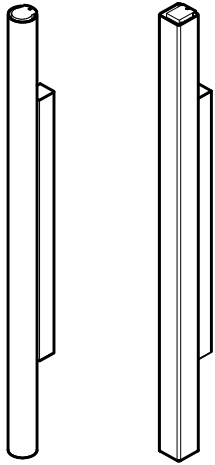
ORDERING SPECIFICATION	SPÉCIFICATION DE COMMANDE	CODE
<b>MODEL MODÈLE</b>		<b>3541-35</b>
<b>3541-35</b>	MOONSET PLUS 35" (SQUARE ACRYLIC)	
<b>LIGHT SOURCE SOURCE LUMINEUSE</b>		
<b>F.T5.21</b>	21W, T5	
<b>F.T5.39</b>	39W, T5 HO	
<b>LED</b>	REGULAR OUTPUT	
<b>LED.HO</b>	HIGH OUTPUT	
<b>COLOR TEMPERATURE TEMPÉRATURE DE COULEUR <sup>(A)</sup></b>		
<b>30</b>	3000K	
<b>35</b>	3500K	
<b>40</b>	4000K	
	<sup>(A)</sup> FOR LED ONLY	
<b>VOLTAGE VOLTAGE</b>		
<b>120V</b>	120 VOLT	
<b>277V</b>	277 VOLT	
<b>347V*</b>	347 VOLT	
	* ONLY AVAILABLE WITH T5 (NON-DIMMING BALLAST)	
<b>DIMMING OPTION OPTION DE GRADATION</b>		
	AVAILABLE WITH F.T5.21 ONLY	
<b>DM7</b>	ADVANCE MARK 7 ELECTRONIC DIMMING BALLAST	
	AVAILABLE WITH ALL T5 LIGHT SOURCES	
<b>D3D</b>	LUTRON HI-LUME 3D ELECTRONIC DIMMING BALLAST (ECOSYSTEM DIGITAL LINK WIRING)	
<b>D33</b>	LUTRON HI-LUME 3D ELECTRONIC DIMMING BALLAST (3-WIRE WIRING)	
	AVAILABLE WITH ALL LED LIGHT SOURCES	
<b>DV</b>	0-10V DIMMING (120V-277V)	
<b>DP</b>	PHASE DIMMING (120V ONLY)	
<b>EMERGENCY BATTERY BATTERIE D'URGENCE</b>		
	AVAILABLE WITH LED SOURCES 120-277V. EM DRIVER BOX INCLUDED, INSTALLED REMOTELY. SEE EM GUIDE FOR DETAILS.	
<b>EMB <sup>(1)</sup></b>	EMERGENCY BATTERY FOR REMOTE BOX	
	AVAILABLE WITH ALL T5 LIGHT SOURCES, 120V OR 277V ONLY. NOT AVAILABLE WITH A DIMMING BALLAST OR WITH A 3980 ACCESSORY (MINI JUNCTION BOX). VERTICAL INSTALLATION ONLY. J-BOX COVER PLATE (8.50" X 4.50") REQUIRED, SUPPLIED WITH THE PRODUCT.	
<b>REM <sup>(2)</sup></b>	RECESSED EMERGENCY BATTERY	
	<sup>(1)</sup> 3981EA ACCESSORY IS REQUIRED	
	<sup>(2)</sup> 3981B ACCESSORY IS REQUIRED	
<b>HOUSING BOITIER</b>		
<b>CHR</b>	CHROME	
<b>S C</b>	SATIN CHROME	
<b>DIFFUSER FINISH FINI DIFFUSEUR</b>		<b>WH</b>
<b>WH</b>	WHITE	
<b>ACCESSORY ACCESSOIRE</b>		
<b>3980</b>	MINI JUNCTION BOX	
<b>3981B</b>	JUNCTION BOX FOR T5 EMERGENCY BATTERY AND REMOTE EMERGENCY BATTERY	
<b>3981EA</b>	ELECTRICAL BOX FOR EMB EMERGENCY BATTERY	

## PRODUCT CHARACTERISTICS CARACTÉRISTIQUES DU PRODUIT

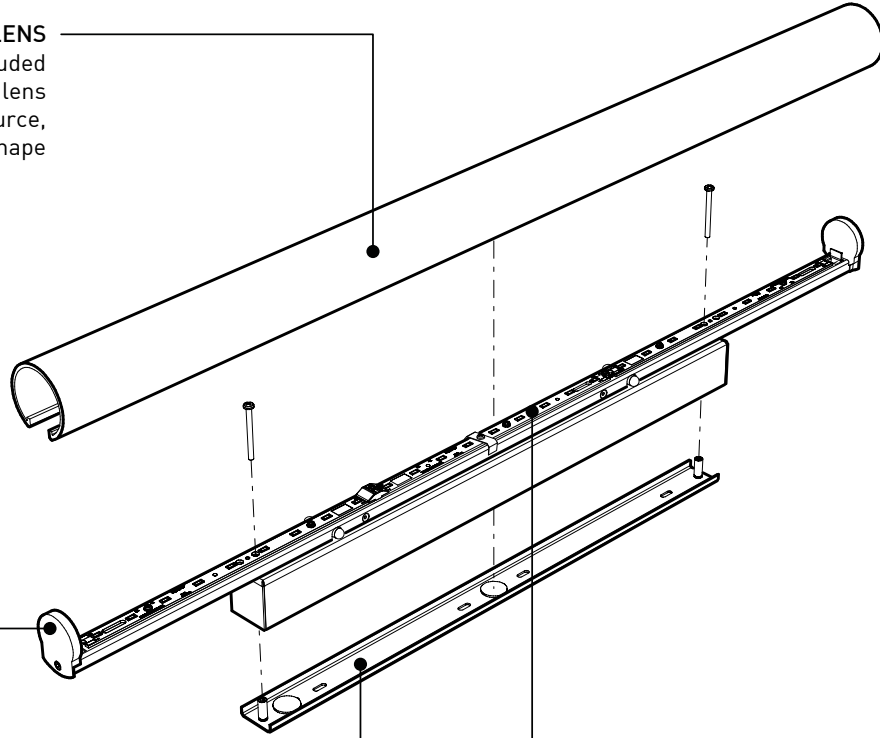


# MOONRISE PLUS, MOONSET PLUS 354X - 35

3540-35 MOONRISE      3541-35 MOONSET



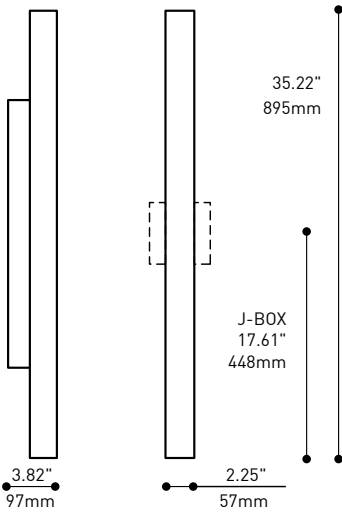
**HIGH PERFORMANCE LENS**  
Custom blended and extruded PMMA (Acrylic composite) lens perfectly diffused with led lights source, available in round and square shape



**ENDCAPS**  
Machined steel endcaps mechanically attached to structure with one-way security screw

**EASY MOUNTING**  
Die-formed steel structure provides an easy access to component wiring

**LED LIGHT ENGINE**  
ANSI binned white LED Nichia w/ on-board thermal management



**PRODUCT SPECIFICATION**      3540-35 REG      3540-35 HO      3541-35 REG      3541-35 HO

**PERFORMANCE**

<b>SYSTEM WATTAGE</b>	13.8 W	20.9 W	13.8 W	20.4 W
<b>DELIVERED LUMENS (4000K)</b>	1358 LM	1952 LM	1336 LM	1920 LM
<b>EFFICACY</b>	98.4 LM/W	93.4 LM/W	96.8 LM/W	94.1 LM/W

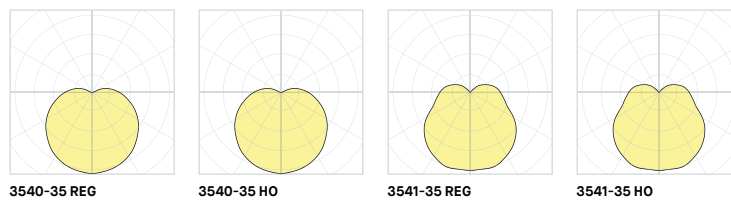
**OTHER INFORMATIONS**

<b>LUMINAIRE'S WEIGHT</b>	6.13 LBS / 2.78 KG	6.13 LBS / 2.78 KG	6.13 LBS / 2.78 KG	6.13 LBS / 2.78 KG
<b>L70 (LUMEN MAINTENANCE)</b>	> 60 000 HRS	> 60 000 HRS	> 60 000 HRS	> 60 000 HRS

**EFFICACY MULTIPLIERS**

CRI	CCT	FACTOR
80+	4000K	1.00
80+	3500K	0.98
80+	3000K	0.94
80+	2700K	0.91
90+	4000K	0.88
90+	3500K	0.85
90+	3000K	0.81
90+	2700K	0.77

**LIGHT DISTRIBUTION**



Visit our website for warranty terms and conditions.

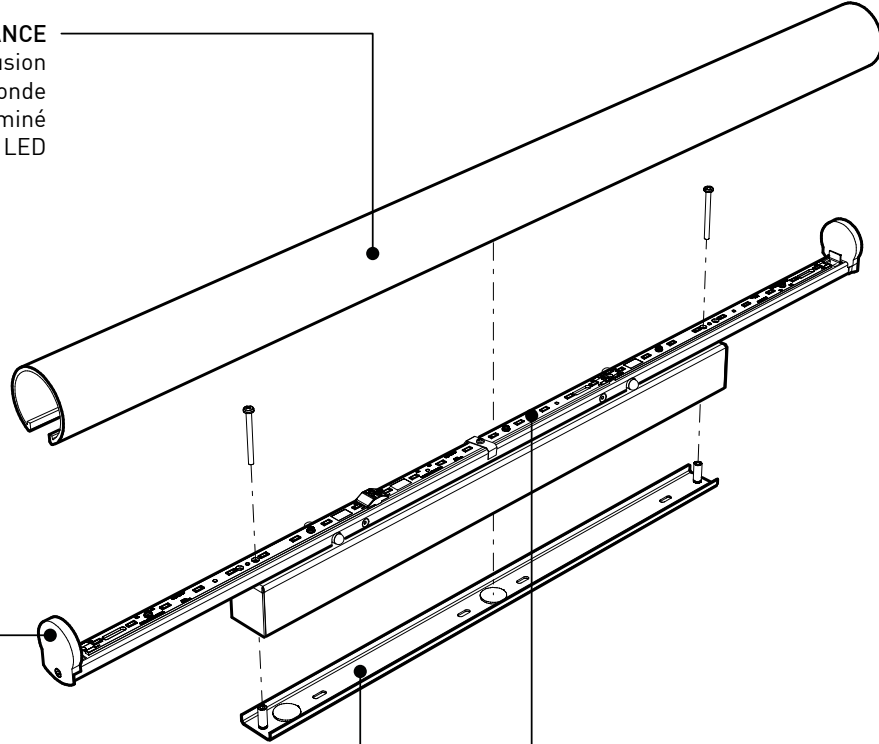


**TECHNICAL DATA**

# MOONRISE PLUS, MOONSET PLUS 354X - 35

3540-35 MOONRISE 3541-35 MOONSET

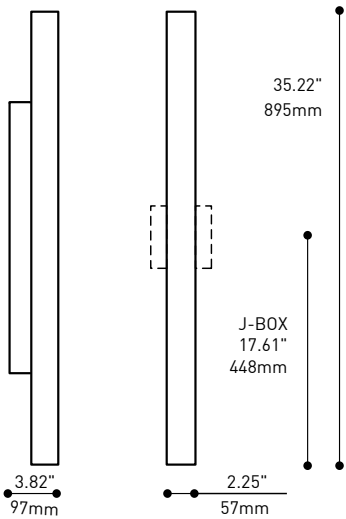
**DIFFUSEUR À HAUTE PERFORMANCE**  
 Profil acrylique de l'extrusion PMMA blanc disponible en forme ronde ou en forme carrée, parfaitement illuminé avec les sources d'éclairage à base de LED



**EMBOUS**  
 Usinés en acier, attachés mécaniquement à la structure à l'aide d'une vis de sécurité

**INSTALLATION SIMPLE**  
 Système de montage facilitant l'accès aux composants électriques

**SOURCE LUMINEUSE À LED**  
 Bandes de LED Nichia blanches offertes avec dissipateur thermique intégré



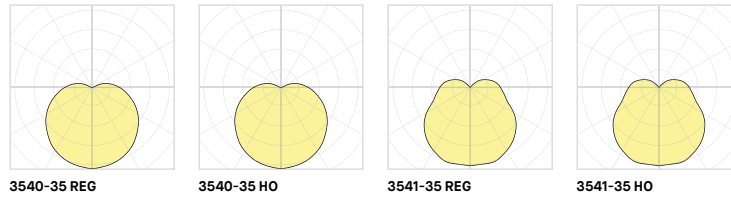
**SPÉCIFICATION PRODUIT**      **3540-35 REG**      **3540-35 HO**      **3541-35 REG**      **3541-35 HO**

PERFORMANCE				
<b>PUISSANCE TOTALE</b>	13.8 W	20.9 W	13.8 W	20.4 W
<b>LUMENS RÉELS (4000K)</b>	1358 LM	1952 LM	1336 LM	1920 LM
<b>EFFICACITÉ</b>	98.4 LM/W	93.4 LM/W	96.8 LM/W	94.1 LM/W
AUTRES INFORMATIONS				
<b>POIDS PAR TÊTE</b>	6,13 LBS / 2,78 KG	6,13 LBS / 2,78 KG	6,13 LBS / 2,78 KG	6,13 LBS / 2,78 KG
<b>L70 (MAINTENANCE DE LA LUMIÈRE)</b>	> 60 000 H	> 60 000 H	> 60 000 H	> 60 000 H

**FACTEUR D'EFFICACITÉ**

IRC	CCT	FACTEUR
80+	4000K	1.00
80+	3500K	0.98
80+	3000K	0.94
80+	2700K	0.91
90+	4000K	0.88
90+	3500K	0.85
90+	3000K	0.81
90+	2700K	0.77

**DISTRIBUTION LUMINEUSE**



Visitez notre site Web pour les termes et conditions.



**DONNÉES TECHNIQUES**