

MOONSET PLUS 3541-93

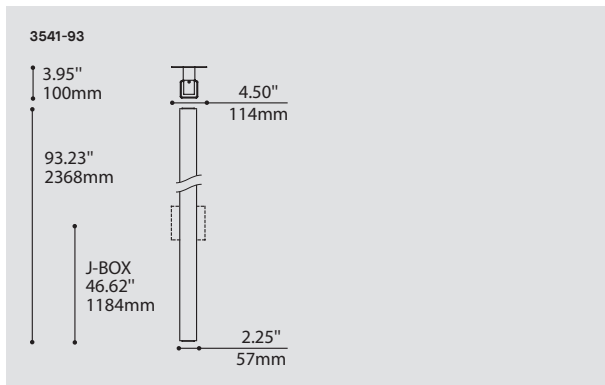
PROJECT PROJÉT
SPEC TYPE
NOTES



FAMILY FAMILLE



74541

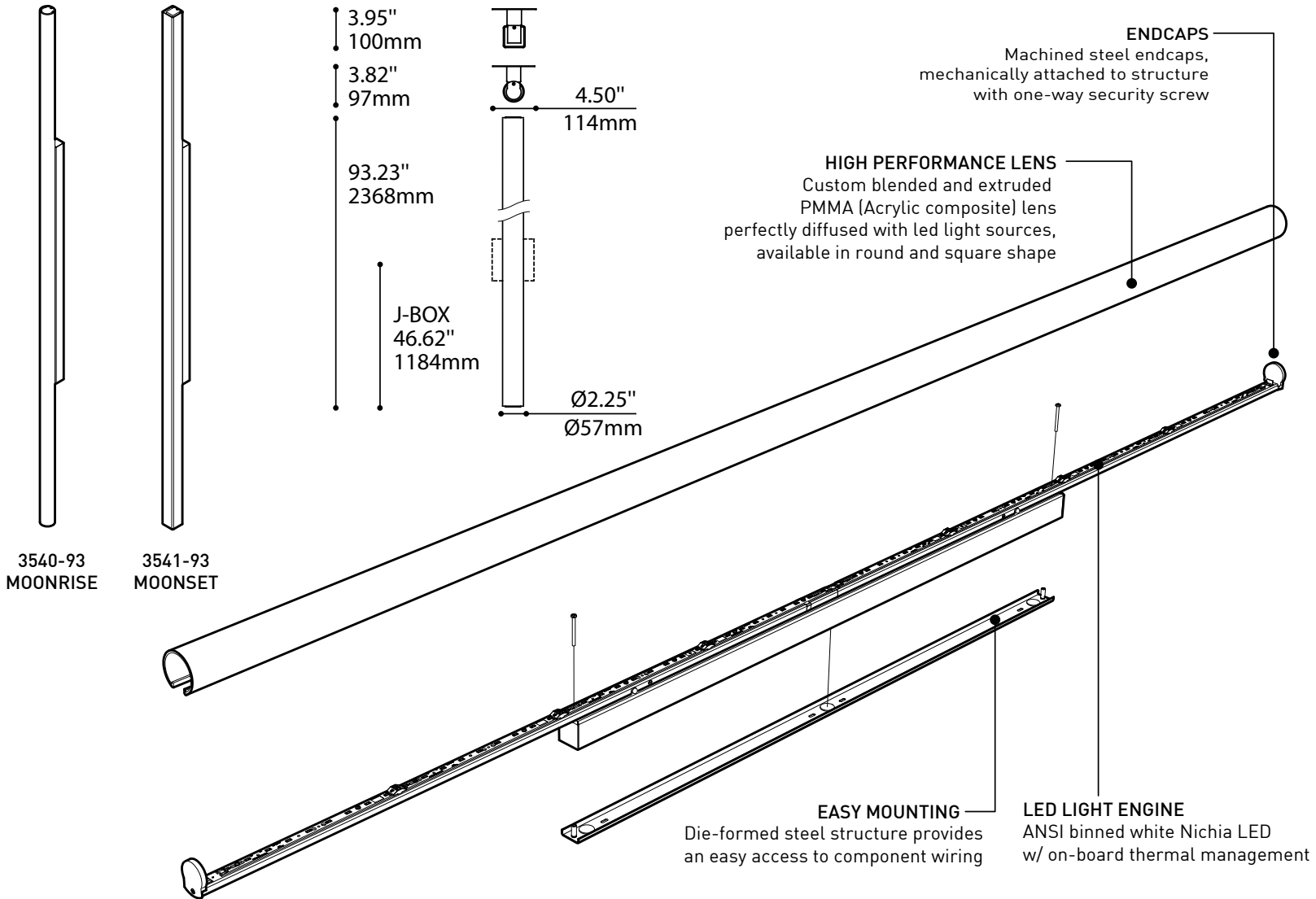


ORDERING SPECIFICATION	SPÉCIFICATION DE COMMANDE	CODE
MODEL MODÈLE	3541-93 MOONSET PLUS 93* (SQUARE ACRYLIC)	3541-93
LIGHT SOURCE SOURCE LUMINEUSE	2XF.T5.28 28W X2, T5 2XF.T5.54 54W X2, T5 HO LED REGULAR OUTPUT LED.HO HIGH OUTPUT	
COLOR TEMPERATURE TEMPÉRATURE DE COULEUR ^(A)	30 3000K 35 3500K 40 4000K ^(A) FOR LED ONLY	
VOLTAGE VOLTAGE	120V 120 VOLT 277V 277 VOLT 347V* 347 VOLT * ONLY AVAILABLE WITH T5 (NON-DIMMING BALLAST)	
DIMMING OPTION OPTION DE GRADATION	AVAILABLE WITH 2XF.T5.54 ONLY DM1 ADVANCE MARK 10 ELECTRONIC DIMMING BALLAST AVAILABLE WITH ALL T5 LIGHT SOURCES DM7 ADVANCE MARK 7 ELECTRONIC DIMMING BALLAST D3D LUTRON HI-LUME 3D ELECTRONIC DIMMING BALLAST (ECOSYSTEM DIGITAL LINK WIRING) D33 LUTRON HI-LUME 3D ELECTRONIC DIMMING BALLAST (3-WIRE WIRING) AVAILABLE WITH ALL LED LIGHT SOURCES DV 0-10V DIMMING (120V-277V) DP PHASE DIMMING (120V ONLY)	
EMERGENCY BATTERY BATTERIE D'URGENCE	AVAILABLE WITH 2XF.T5.28 AND 2XF.T5.54 ONLY. NOT AVAILABLE WITH A DIMMING BALLAST EM⁽¹⁾ EMERGENCY BATTERY INSIDE LUMINAIRE AVAILABLE WITH LED SOURCES 120-277V. EM DRIVER BOX INCLUDED, INSTALLED REMOTELY. SEE EM GUIDE FOR DETAILS. EMB⁽²⁾ EMERGENCY BATTERY FOR REMOTE BOX AVAILABLE WITH ALL T5 LIGHT SOURCES, 120V OR 277V ONLY. NOT AVAILABLE WITH A DIMMING BALLAST OR WITH A 3980 ACCESSORY (MINI JUNCTION BOX). VERTICAL INSTALLATION ONLY. J-BOX COVER PLATE (8.50" X 4.50") REQUIRED, SUPPLIED WITH THE PRODUCT. REM⁽¹⁾ RECESSED EMERGENCY BATTERY ⁽¹⁾ 3981B ACCESSORY IS REQUIRED ⁽²⁾ 3981EA ACCESSORY IS REQUIRED	
HOUSING BOITIER	CHR CHROME S C SATIN CHROME	
DIFFUSER FINISH FINI DIFFUSEUR	WH WHITE	WH
ACCESSORY ACCESSOIRE	3980 MINI JUNCTION BOX 3981B JUNCTION BOX FOR T5 EMERGENCY BATTERY AND REMOTE EMERGENCY BATTERY 3981EA ELECTRICAL BOX FOR EMB EMERGENCY BATTERY	

PRODUCT CHARACTERISTICS CARACTÉRISTIQUES DU PRODUIT



MOONRISE PLUS, MOONSET PLUS 354X - 93

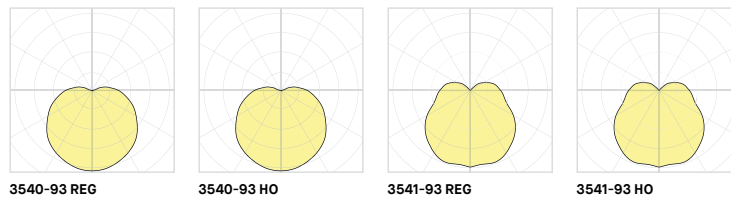


PRODUCT SPECIFICATION	3540-93 REG	3540-93 HO	3541-93 REG	3541-93 HO
PERFORMANCE				
SYSTEM WATTAGE	34.1 W	52.8 W	34.1 W	52.8 W
DELIVERED LUMENS (4000K)	3641 LM	5233 LM	3576 LM	5141 LM
EFFICACY	106.8 LM/W	99.1 LM/W	104.9 LM/W	97.4 LM/W
OTHER INFORMATIONS				
LUMINAIRE'S WEIGHT	12.05 LBS / 5.46 KG	12.05 LBS / 5.46 KG	12.05 LBS / 5.46 KG	12.05 LBS / 5.46 KG
L70 (LUMEN MAINTENANCE)	> 60 000 HRS	> 60 000 HRS	> 60 000 HRS	> 60 000 HRS

EFFICACY MULTIPLIERS

CRI	CCT	FACTOR
80+	4000K	1.00
80+	3500K	0.98
80+	3000K	0.94
80+	2700K	0.91
90+	4000K	0.88
90+	3500K	0.85
90+	3000K	0.81
90+	2700K	0.77

LIGHT DISTRIBUTION

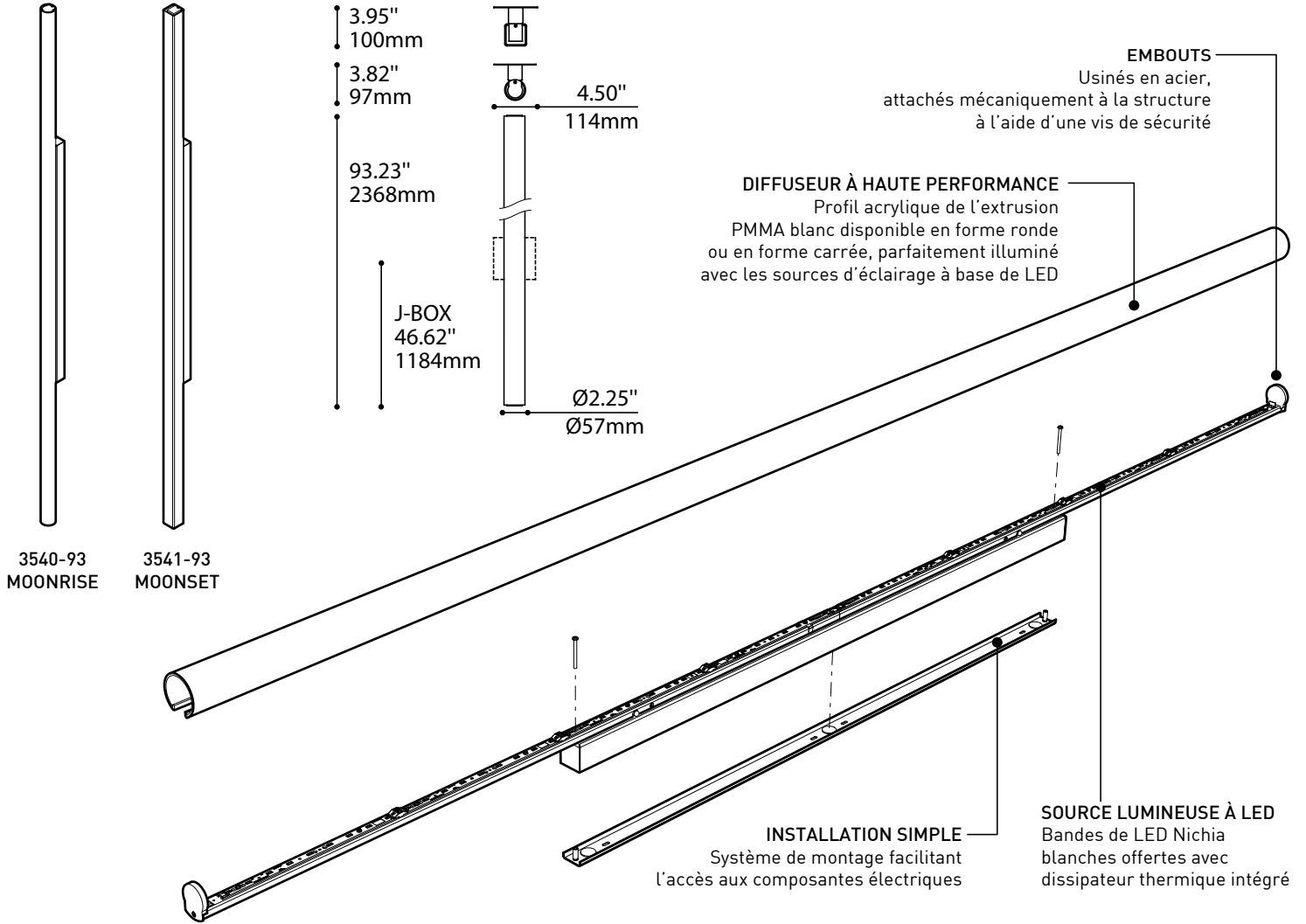


Visit our website for warranty terms and conditions.



TECHNICAL DATA

MOONRISE PLUS, MOONSET PLUS 354X - 93

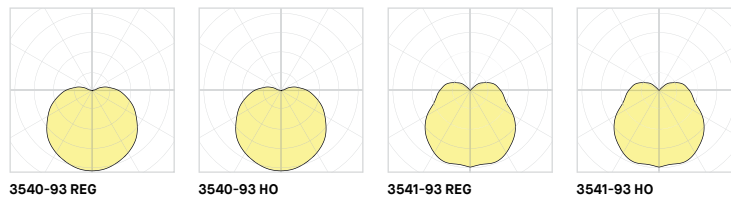


SPECIFICATION PRODUIT	3540-93 REG	3540-93 HO	3541-93 REG	3541-93 HO
PERFORMANCE				
PUISSANCE TOTALE	34.1 W	52.8 W	34.1 W	52.8 W
LUMENS RÉELS (4000K)	3641 LM	5233 LM	3576 LM	5141 LM
EFFICACITÉ	106.8 LM/W	99.1 LM/W	104.9 LM/W	97.4 LM/W
AUTRES INFORMATIONS				
POIDS PAR TÊTE	12.05 LBS / 5.46 KG	12.05 LBS / 5.46 KG	12.05 LBS / 5.46 KG	12.05 LBS / 5.46 KG
L70 (MAINTENANCE DE LA LUMIÈRE)	> 60 000 H	> 60 000 H	> 60 000 H	> 60 000 H

FACTEUR D'EFFICACITÉ

IRC	CCT	FACTEUR
80+	4000K	1.00
80+	3500K	0.98
80+	3000K	0.94
80+	2700K	0.91
90+	4000K	0.88
90+	3500K	0.85
90+	3000K	0.81
90+	2700K	0.77

DISTRIBUTION LUMINEUSE



Visitez notre site Web pour les termes et conditions.



DONNÉES TECHNIQUES