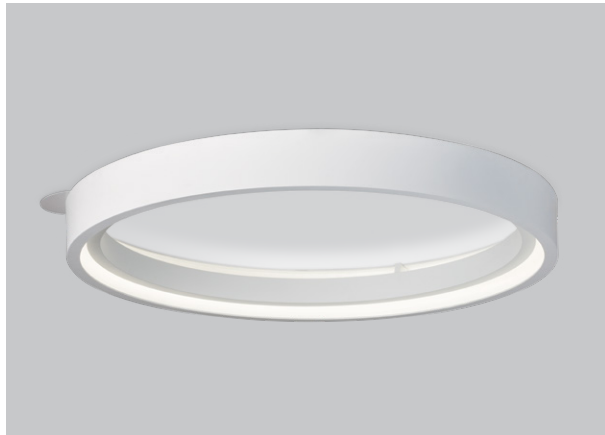
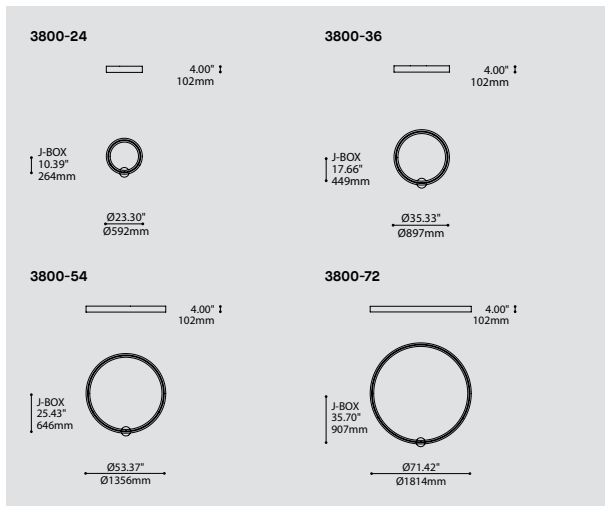
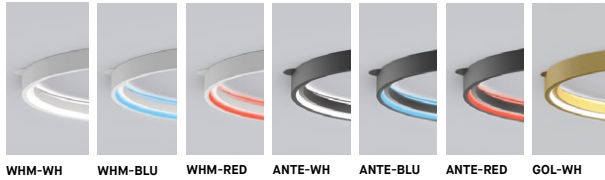


# CYCLE 3800

PROJECT PROJÉT
SPEC TYPE
NOTES



## FINISH FINI



## ORDERING SPECIFICATION SPÉCIFICATION DE COMMANDE

CODE

### MODEL MODÈLE

3800-24	CYCLE 24"
3800-36	CYCLE 36"
3800-54	CYCLE 54"
3800-72	CYCLE 72"

### LIGHT SOURCE SOURCE LUMINEUSE

LED	REGULAR OUTPUT
LED.HO	HIGH OUTPUT
LED.SHO*	SUPER HIGH OUTPUT
	* NOT AVAILABLE WITH DP CONTROL OPTION

### COLOR TEMPERATURE TEMPÉRATURE DE COULEUR

27*	2700K
30	3000K
35	3500K
40	4000K
	* LONGER LEAD TIME MAY APPLY, PLEASE CONTACT YOUR EUREKA REPRESENTATIVE FOR TUNEABLE WHITE, PLEASE CONTACT YOUR EUREKA REPRESENTATIVE

### COLOR RENDERING INDEX (CRI) INDICE DE RENDU DE COULEUR (IRC)

80	80+ CRI
90*	90+ CRI
	* LONGER LEAD TIME MAY APPLY, PLEASE CONTACT YOUR EUREKA REPRESENTATIVE

### VOLTAGE VOLTAGE

120V	120 VOLT
277V	277 VOLT

### CONTROL OPTION OPTION DE CONTRÔLE

DV	0-10V DIMMING (120V-277V)
DP	PHASE DIMMING (120V ONLY)
NLTAIR2*	NLIGHT AIR CONTROL GEN 2
NLIGHT*	NLIGHT WIRED CONTROL
	* NLIGHT INTEGRATION REQUIRES A REMOTE POWER PACK (39NLAB FOR NLTAIR2 OR 39NLWB FOR NLIGHT).
	* EMERGENCY BATTERY NOT AVAILABLE WITH NLIGHT OPTIONS
	REFER TO NLIGHT GUIDE AND INSTALLATION SHEET FOR ALL REQUIREMENTS.

### EMERGENCY BATTERY BATTERIE D'URGENCE

FOR 120-277V, EM DRIVER BOX INCLUDED, INSTALLED REMOTELY, SEE EM GUIDE FOR DETAILS.

EMB*	EMERGENCY BATTERY FOR REMOTE BOX
	* 3981EA ACCESSORY IS REQUIRED

### DRIVER POSITION POSITION DU PILOTE

RDP

RDP*	RECESSED DRIVER
	* 3981C OR 3981D ACCESSORY IS REQUIRED

### CANOPY FINISH FINI PAVILLON

WHM	MATTE WHITE
ANTE	ANTHRACITE FINE TEXTURE
GOL	GOLD

### RING FINISH FINI ANNEAU

WHM	MATTE WHITE
ANTE	ANTHRACITE FINE TEXTURE
GOL	GOLD
RAL*	PLEASE SPECIFY RAL CODE
	* LONGER LEAD TIME MAY APPLY, PLEASE CONTACT YOUR EUREKA REPRESENTATIVE

### OPTIONAL INSIDE FINISH OF EXTERNAL RING FINI INTERNE OPTIONNEL DE L'ANNEAU EXTÉRIEUR

BLU	BLUE
RED	RED
	IF NO OPTION IS SELECTED, THE INSIDE FINISH OF THE EXTERNAL RING WILL BE WHITE

### ACCESSORY ACCESSOIRE

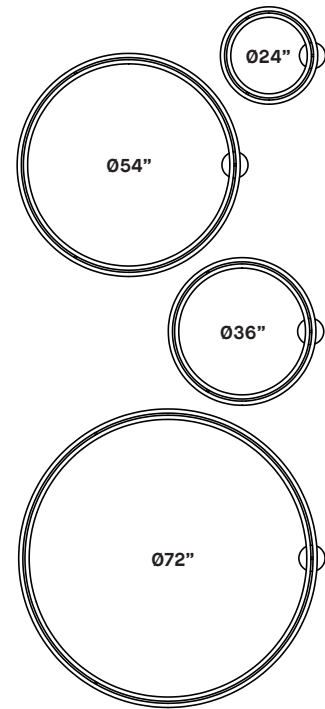
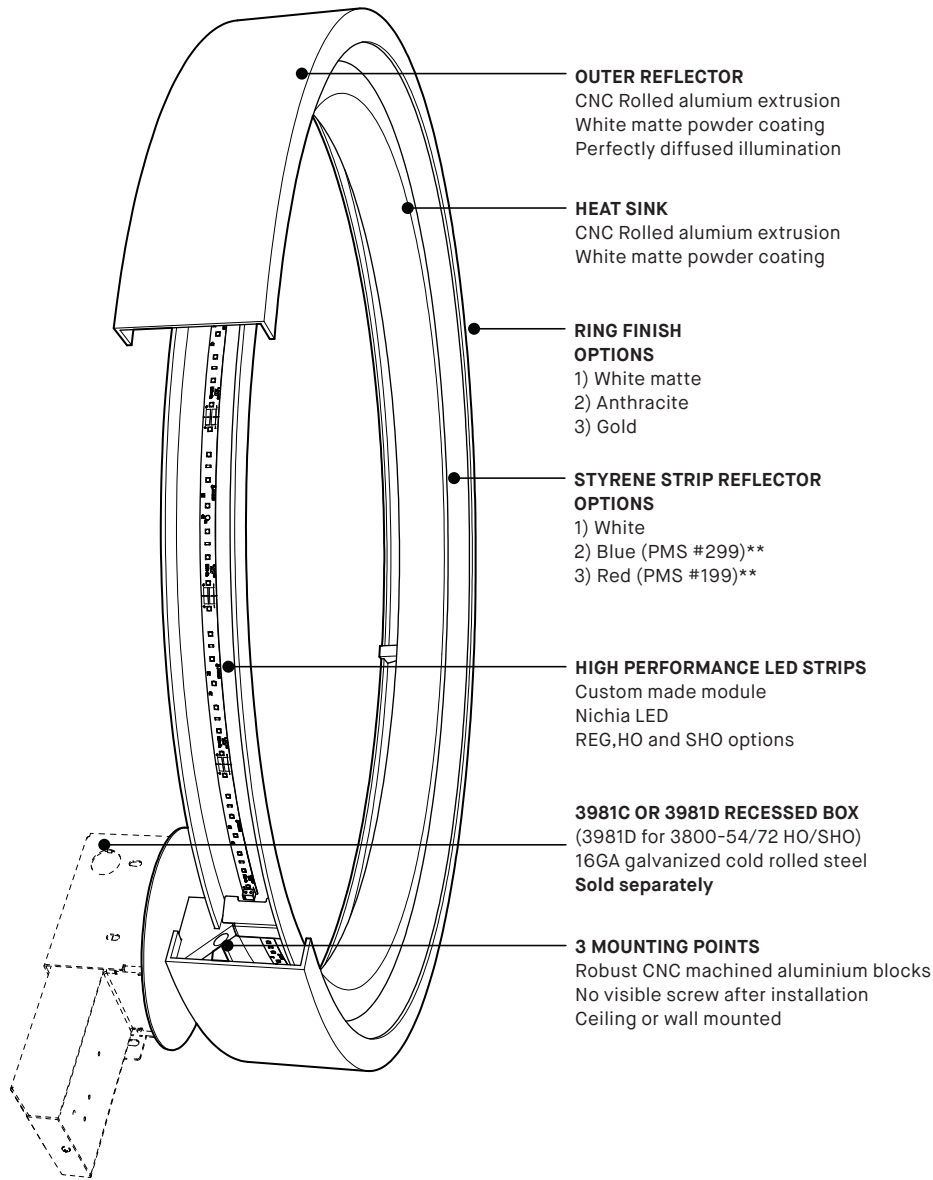
3981C	JUNCTION BOX FOR RECESSED DRIVER OPTION (FOR 3800-24, 3800-36 (REG & HO), 3800-54 (REG), 3800-72 (REG))
3981D	JUNCTION BOX FOR RECESSED DRIVER OPTION (FOR 3800-36 (SHO), 3800-54 (HO & SHO), 3800-72 (HO & SHO))
39NLAB	NLIGHT AIR GEN 2 REMOTE POWER PACK
39NLWB	NLIGHT WIRED REMOTE POWER PACK

### EMERGENCY BATTERY ACCESSORY ACCESSOIRE BATTERIE D'URGENCE

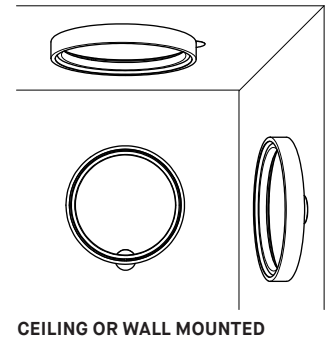
3981EA	ELECTRICAL BOX FOR EMB EMERGENCY BATTERY
--------	--

## PRODUCT CHARACTERISTICS CARACTÉRISTIQUES DU PRODUIT





**4 VERSATILE SIZES**  
An infinite number of possible layouts  
From the smallest to the largest space



**PRODUCT SPECIFICATION**

	<b>3800-24</b> REG/HO/SHO	<b>3800-36</b> REG/HO/SHO	<b>3800-54</b> REG/HO/SHO	<b>3800-72</b> REG/HO/SHO
<b>PERFORMANCE</b>				
<b>SYSTEM WATTAGE</b>	19.2W / 40.7W / 62.4W	30.5W / 76.8W / 62.4W	48.3W / 108W / 165.3W	64.9W / 128.8W / 199.9W
<b>DELIVERED LUMENS (4000K) WHM</b>	1526 / 3094 / 3896	2586 / 5932 / 7484	4162 / 8480 / 12041	5749 / 11277 / 16768
<b>DELIVERED LUMENS (4000K) ANTE OR GOL</b>	1092 / 2209 / 2783	1725 / 3952 / 4979	2891 / 5888 / 8376	4103 / 8073 / 12000

**OTHER INFORMATION**

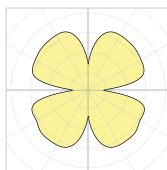
<b>LUMINAIRE'S WEIGHT</b>	15LBS / 7KG	21LBS / 10KG	33LBS / 15KG	45LBS / 20KG
---------------------------	-------------	--------------	--------------	--------------

**L70 (LUMEN MAINTENANCE) :** 60 000

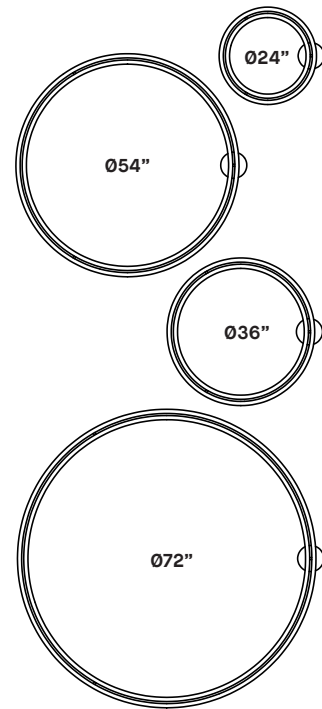
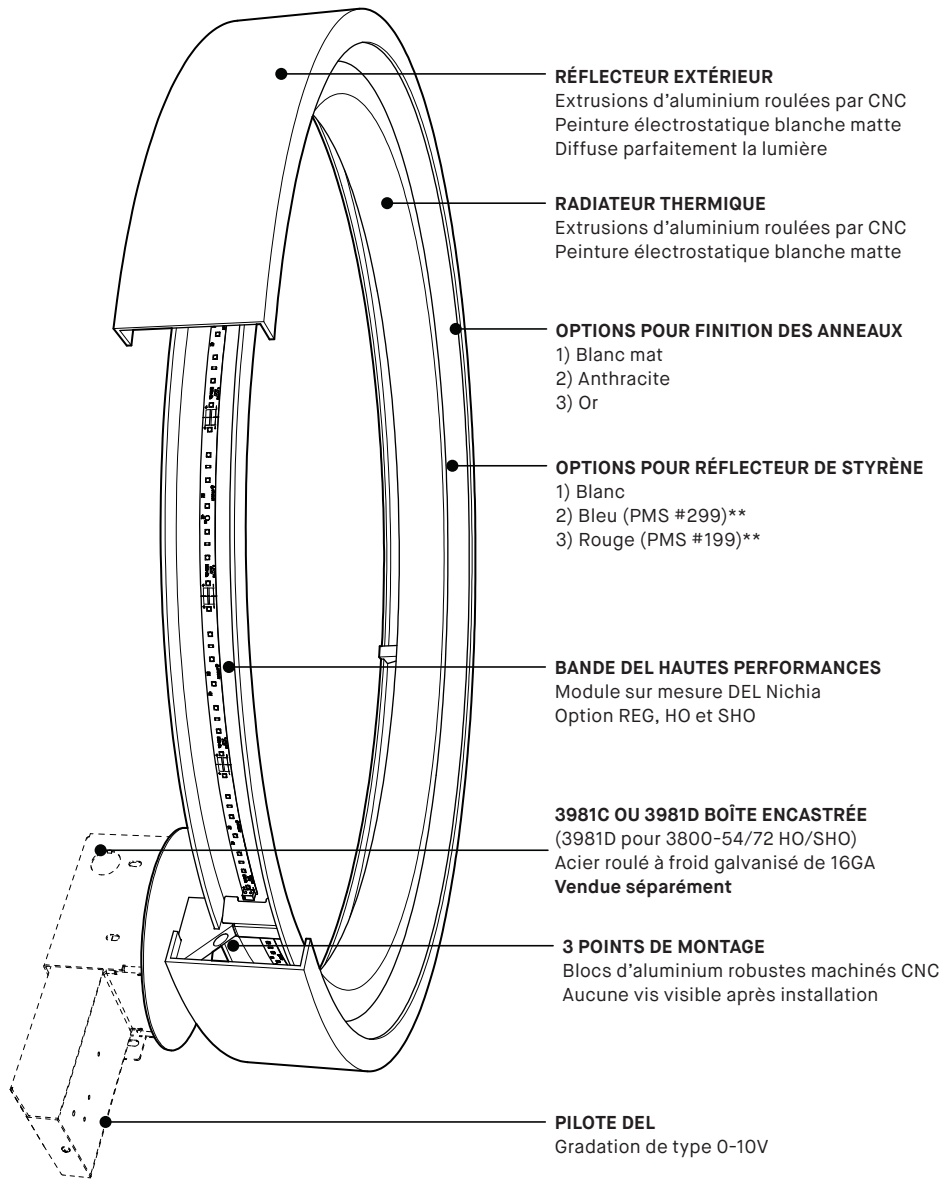
**EFFICACY MULTIPLIERS**

CRI	CCT	FACTOR
80+	4000K	1.00
80+	3500K	0.98
80+	3000K	0.94
80+	2700K	0.91
90+	4000K	0.88
90+	3500K	0.85
90+	3000K	0.81
90+	2700K	0.77

**LIGHT DISTRIBUTION**

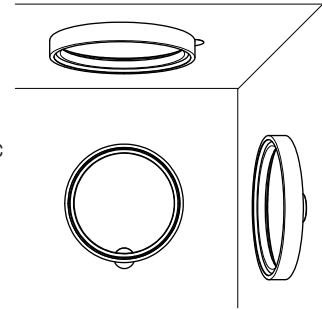


Visit our website for warranty terms and conditions.



#### 4 FORMATS POLYVALENTS

Une infinité de combinaisons possibles  
Pour les petits aux plus grands espaces



#### INSTALLATION MURALE OU EN PLAFONNIER

#### SPÉCIFICATION PRODUIT

**3800-24**  
REG/HO/SO

**3800-36**  
REG/HO/SO

**3800-54**  
REG/HO/SO

**3800-72**  
REG/HO/SO

#### PERFORMANCE

<b>PUISSANCE TOTALE</b>	19.2W / 40.7W / 62.4W	30.5W / 76.8W / 62.4W	48.3W / 108W / 165.3W	48.3W / 108W / 165.3W
<b>LUMENS RÉELS (4000K) WHM</b>	1526 / 3094 / 3896	2586 / 5932 / 7484	4162 / 8480 / 12041	5749 / 11277 / 16768
<b>LUMENS RÉELS (4000K) ANTE OU GOL</b>	1092 / 2209 / 2783	1725 / 3952 / 4979	2891 / 5888 / 8376	4103 / 8073 / 12000

#### AUTRES INFORMATION

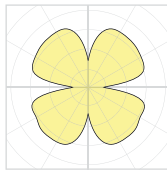
<b>POIDS</b>	15LBS / 7KG	21LBS / 10KG	33LBS / 15KG	45LBS / 20KG
--------------	-------------	--------------	--------------	--------------

**L70 (MAINTENANCE DE LA LUMIÈRE) :** 60 000

#### FACTEUR D'EFFICACITÉ

IRC	CCT	FACTEUR
80+	4000K	1.00
80+	3500K	0.98
80+	3000K	0.94
80+	2700K	0.91
90+	4000K	0.88
90+	3500K	0.85
90+	3000K	0.81
90+	2700K	0.77

#### DISTRIBUTION LUMINEUSE



Visitez notre site Web pour les termes et conditions.