

PICO 4021

PROJECT PROJÉT
SPEC TYPE
NOTES



OVERALL HEIGHT HAUTEUR HORS TOUT

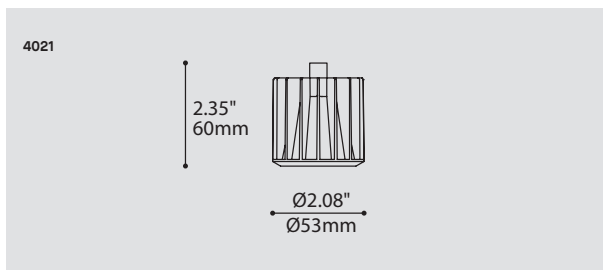
LIGHT SOURCE	LED TRACK 1 CIRCUIT	LED *	LED DIM * -8W 277V *
MOUNTING	2734E	2401C	2403G
STEM 4021	42.70"	40.20"	41.20"
STEM 4033	45.96"	43.46"	44.46"
FOR 2021/2033 ADD 1.60" FOR SWIVEL			
*FOR NO STEM / STEM ≤ 12IN -CANOPY 2401C + ACCESSORY 3983			

MOUNTING OPTIONS OPTIONS DE MONTAGE

2734E	2401C	2403G
6.15" x 2.00" 156 x 51mm	Ø4.50" x 0.50" Ø114 x 13mm	Ø4.50" x 1.75" Ø114 x 44mm
* OVERALL HEIGHT DOES NOT INCLUDE TRACK THICKNESS		

STEM OR CABLE OPTIONS OPTIONS DE TIGE OU CABLE

STEM	STD 36"	914mm



ORDERING SPECIFICATION	SPECIFICATION DE COMMANDE	CODE
MODEL MODÈLE		4021
4021	PICO (PENDANT)	
LIGHT SOURCE SOURCE LUMINEUSE		
(WATTAGE, LAMP TYPE, OTHER INFO)		
LED.4	4W, LED	
LED.8	8W, LED	
COLOR TEMPERATURE TEMPÉRATURE DE COULEUR		
30	3000K	
35	3500K	
40	4000K	
ANGLE BEAM ANGLE DE FAISCEAU		
17	17°	
48	48°	
VOLTAGE VOLTAGE		
120V	120 VOLT	
277V*	277 VOLT	
	*NOT AVAILABLE WITH A TRACK ADAPTOR	
DIMMING OPTION OPTION DE GRADATION		
DV*	0-10V DIMMING (120-277V)	
DP	PHASE DIMMING (120V ONLY)	
	*NOT AVAILABLE WITH A TRACK ADAPTOR	
STEM TIGE		
S6	1/4" (6MM) STEM, FIELD ADJUSTABLE	
STEM LENGTH LONGUEUR DE TIGE		
36	36" STEM (STD LENGTH)	
**	CUSTOM STEM LENGTH (PLEASE SPECIFY)*	
	FOR OVERALL LENGTH PLEASE CONTACT YOUR EUREKA REPRESENTATIVE.	
	*3983 ACCESSORY PROVIDED FOR STEM ≤ 12", EXCEPT LED 8W 120V NON-DIMMING	
MOUNTING MONTAGE		
RC*	ROUND CANOPY / PAVILLON ROND FOR LED NON-DIMMING & STEM ≤ 12": 0.50" CANOPY (2401C) FOR DIMMING LED & 8W 277V: 1.75" CANOPY (2403G) *CANOPY FINISH ALWAYS CHROME	
TA1	TRACK ADAPTOR / ADAPTATEUR DE RAIL* 1 CIRCUIT LED DIMMING & NON-DIMMING 120V ADAPTOR (2734E)	
MOUNTING OPTION OPTION DE MONTAGE		
SCA*	SLOPE CEILING ADAPTOR / ADAPTATEUR DE PLAFOND EN PENTE (ROTATION: 350°, PIVOT: 90°) *ONLY AVAILABLE WITH A STEM	
TRACK ADAPTOR FINISH FINI ADAPTATEUR DE RAIL ^(A)		
WH	WHITE	
BLK	BLACK	
	^(A) FILL IN IF A TRACK ADAPTOR IS SELECTED, OTHERWISE LEAVE EMPTY	
STRUCTURE FINISH FINI STRUCTURE		CHR
CHR	CHROME	
HEATSINK FINISH FINI RADIATEUR		BLKA
BLKA	BLACK ANODIZED	
ACCESSORY ACCESSOIRE		
3983	DEEP JUNCTION BOX (PROVIDED FOR STEM ≤ 12" AS PER ABOVE)	

PRODUCT CHARACTERISTICS CARACTÉRISTIQUES DU PRODUIT



DESIGN:	Nano and his little brother, Pico, pack a big punch in tiny formats. Their industrial look with visible heat sink allows for an impressive LED performance.
LIGHT SOURCE:	4W and 8W LED with 0-10V (DV) or phase (DP) dimming versions available.
STRUCTURE:	Die-cast aluminum heat sink with black satin anodized finish and inner die-formed steel parts with black polyester powder finish.
CERTIFIED:	c-CSA-us, c-UL-us

ANATOMY

BIM

DIM

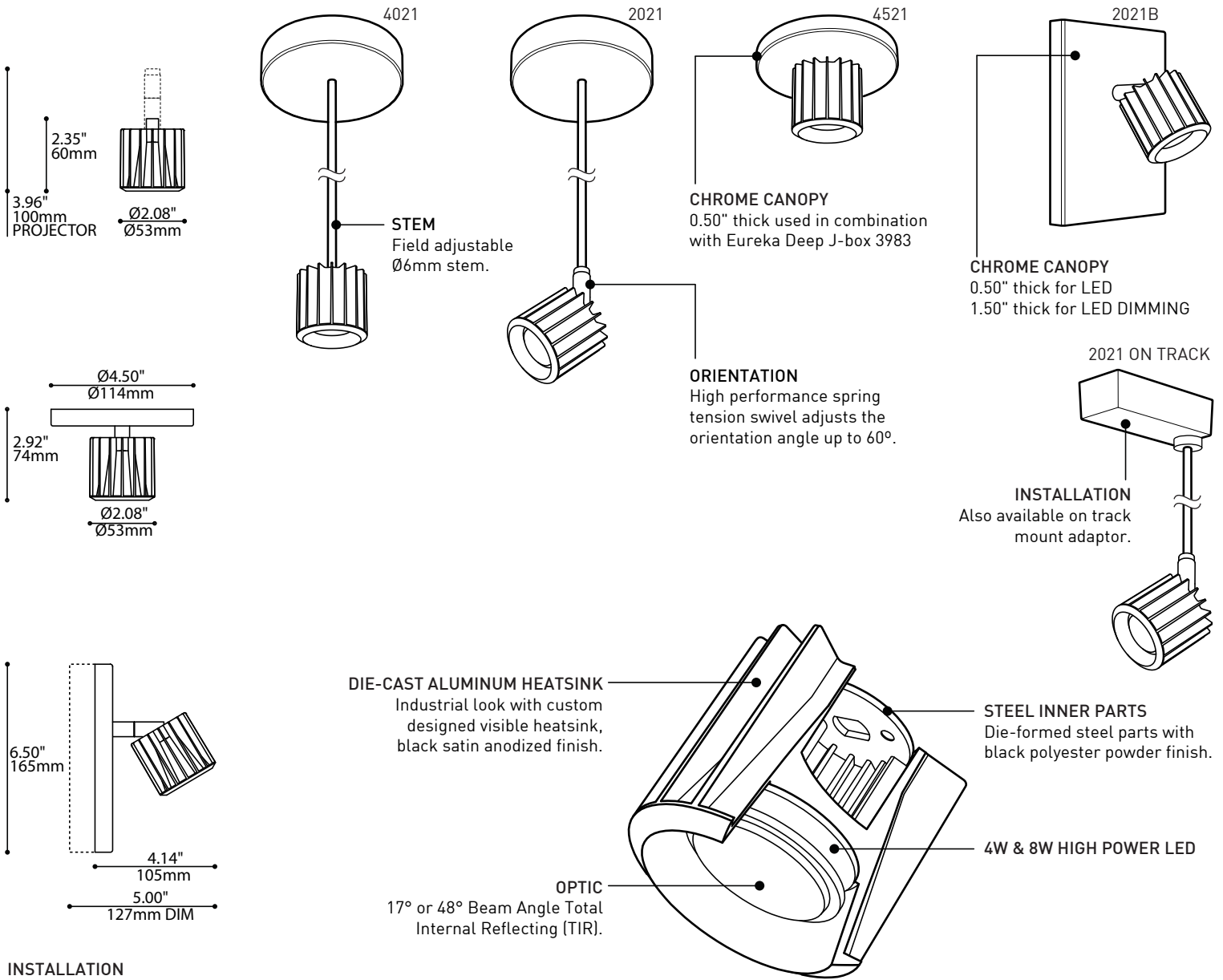
IES

LED

2021
2021B
350°

2021
2021B
60°

PICO



SPECIFICATIONS

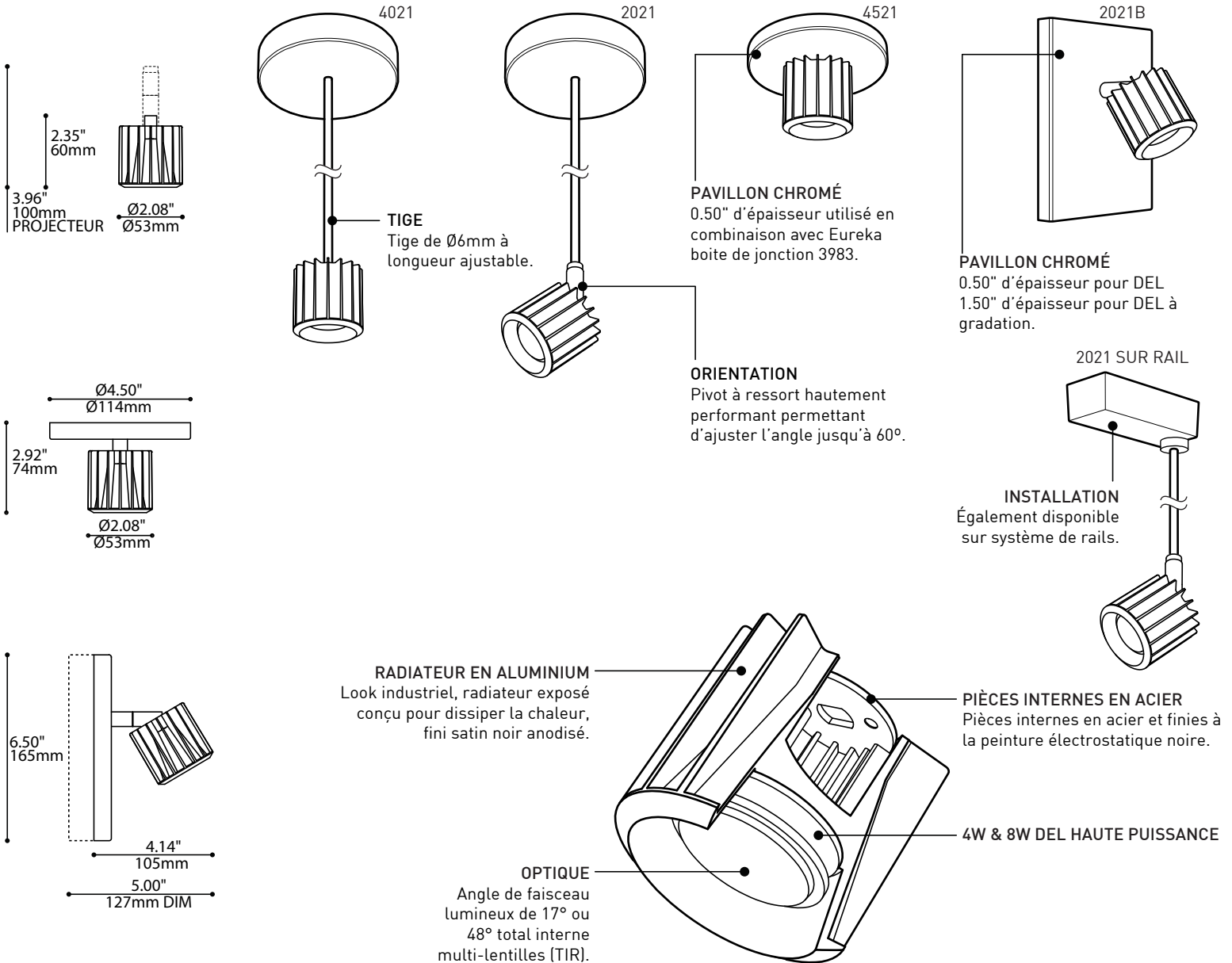
	4W LED	8W LED
LIGHT SOURCE	4x1W High Power LED on MCPCB - System Wattage 4.8W Total	4x2W High Power LED on MCPCB - System Wattage 9.9W Total
DELIVERED LUMENS	541 lm	1003 lm
CRI	80 CRI (typical)	
CCT	3-step MacAdam Ellipse binning	
HEATSINK	Black anodized aluminum	
LIGHT DISTRIBUTION	Directional projector (2021/2021B) or Direct (4021/4521)	
OPTICS	Total Internal Reflection (TIR) of 17° & 48° beam angle	
VOLTAGE	120V (DP) and 120-277V (DV)	
DRIVER	Constant Current driver 350mA, UL Recognized	Constant Current driver 700mA, UL Recognized
DIMMING	Phase Dimming (DP) and 0-10V Dimming (DV)	
LM-79	On request	On request
WARRANTY	5 years	



225 de Liège Ouest, Suite #200
Montréal (QC), Canada H2P 1H4
Tel : 514.385.3515 Fax : 514.385.4169
www.eurekalighting.com



2021 4021
2021B 4521



SPECIFICATIONS

	4W DEL	8W DEL
SOURCE LUMINEUSE	4 DEL 1W haute puissance - Puissance totale de 4.8W	4 DEL 2W haute puissance - Puissance totale de 9.9W
LUMENS RÉELS	541 lm	1003 lm
IRC	80 CRI (typical)	
CCT	3-step MacAdam Ellipse binning	
RADIATEUR	Aluminium anodisé noir	
DISTRIBUTION LUMINEUSE	Projecteur directionnel (2021/2021B) ou Direct (4021/4521)	
OPTIQUES	Angle de faisceau de 17° & 48° Réflexion totale interne (TIR)	
VOLTAGE	120V (DP) et 120-277V (DV)	
PILOTE	Courant Constant 350mA, Reconnu UL	Courant Constant 700mA, Reconnu UL
GRADATION	DP "phase dimming" et DV "0-10V dimming"	
LM-79	Sur demande	Sur demande
GARANTIE	5 ans	