

SAZ 2022B / 4022B

PROJECT PROJET

SPEC TYPE

NOTES



359°



180°

OVERALL HEIGHT HAUTEUR HORS TOUT

| LIGHT SOURCE | HAL TRACK 1 CIRCUIT | INCTRACK 1 CIRCUIT | INCTRACK 2 CIRCUIT | INC-HAL |
|--------------|------------------------|-----------------------|-----------------------|---------|
| MOUNTING | 2734 | 2734B | 2764B | 2401E |
| CABLE | 67.60" | 66.90" | 67.50" | 66.55" |
| STEM | 43.20" | 42.50" | 43.10" | 42.15" |

FOR 2022B, ADD 1.50" (FOR SWIVEL)

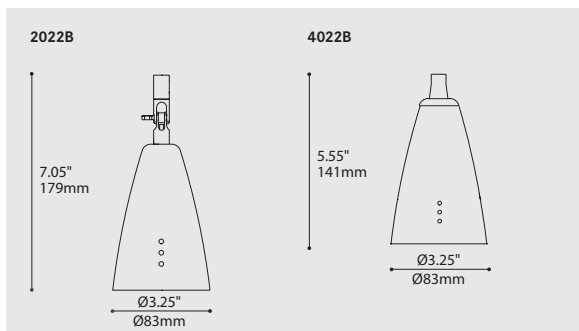
MOUNTING OPTIONS OPTIONS DE MONTAGE

| 2734 | 2734B | 2764B | 2401E |
|----------------------------|----------------------------|----------------------------|---------------------------|
| 3.85" x 2.03" 98 x 52mm | 1.46" x 1.36" 37 x 35mm | 3.29" x 1.96" 84 x 48mm | 04.5" x 1" 0114 x 25mm |

* OVERALL HEIGHT DOES NOT INCLUDE TRACK THICKNESS

STEM OR CABLE OPTIONS OPTIONS DE TIGE OU CABLE

| | |
|--------------------------|----------------------------|
| STEM STD 36" 914mm | CABLE STD 60" 1523mm |
|--------------------------|----------------------------|



ORDERING SPECIFICATION SPÉCIFICATION DE COMMANDE

CODE

MODEL MODÈLE

| | |
|-------|----------------------|
| 2022B | SAZ (PROJECTOR HEAD) |
| 4022B | SAZ (PENDANT) |

LIGHT SOURCE SOURCE LUMINEUSE

(WATTAGE, LAMP TYPE, LAMP FORM, BASE TYPE, OTHER INFO)

| | | |
|----------|--|--|
| MR16C.50 | | 50W, HAL, MR16C, GU5.3 BASE |
| PAR20.50 | | 50W, INC, PAR20, MEDIUM BASE (120V ONLY) |

VOLTAGE VOLTAGE

| | |
|-------|----------|
| 120V | 120 VOLT |
| 277V* | 277 VOLT |

*NOT AVAILABLE WITH A TRACK ADAPTOR

STEM OR CABLE TIGE OU CABLE

| | |
|----|---|
| S6 | 1/4" (6MM) STEM, FIELD ADJUSTABLE |
| C | CLEAR CABLE FIELD ADJUSTABLE (FOR 4022B ONLY) |
| - | NO STEM / CABLE |

STEM OR CABLE LENGTH LONGUEUR DE TIGE OU CABLE

| | |
|----|--|
| 36 | 36" STEM (STD LENGTH) |
| 60 | 60" CABLE (STD LENGTH) |
| ** | CUSTOM STEM LENGTH (MAX 96") (PLEASE SPECIFY) |
| ** | CUSTOM CABLE LENGTH (MAX 180" FOR INC, 96" FOR HAL) (PLEASE SPECIFY) |

FOR OVERALL LENGTH PLEASE CONTACT YOUR EUREKA REPRESENTATIVE

MOUNTING MONTAGE

| | | |
|-----|--|--|
| RC | | ROUND CANOPY / PAVILLON ROND 1" CANOPY (2401E) |
| TA1 | | TRACK ADAPTOR / ADAPTATEUR DE RAIL* 1 CIRCUIT HAL 120/12V ADAPTOR (2734) |
| TA2 | | INC 120V ADAPTOR (2734B) 2 CIRCUITS INC 120V ADAPTOR (2764B) |

*SEE TRACKS & ACCESSORIES PAGE 505

MOUNTING OPTION OPTION DE MONTAGE

| | |
|-----|--|
| SCA | SLOPE CEILING ADAPTOR / ADAPTATEUR DE PLAFOND EN PENTE (ROTATION: 350°, PIVOT: 90°) |
|-----|--|

TRACK ADAPTOR FINISH FINI ADAPTATEUR DE RAIL^(A)

| | |
|-----|--------------------------------|
| WH | WHITE |
| BLK | BLACK |
| M G | METALLIC GRAY (1 CIRCUIT ONLY) |

^(A) FILL IN IF A TRACK ADAPTOR IS SELECTED, OTHERWISE LEAVE EMPTY

STRUCTURE FINISH FINI STRUCTURE^(B)

| | |
|-----|--------------|
| BLK | BLACK |
| CHR | CHROME |
| S C | SATIN CHROME |
| WH | WHITE |

^(B) INCLUDING CANOPY FINISH IF A CANOPY IS SELECTED

PRODUCT CHARACTERISTICS CARACTÉRISTIQUES DU PRODUIT

| | |
|--------------------------|---|
| Design: | Pendant or projector with three distinctive dots |
| Mounting: | Canopy, track adaptor or sloped ceiling adaptor. Stem and cable length is adjustable on site |
| Light Source: | PAR20 or MR16 halogen with electronic transformer |
| Structure: | Die-formed steel shade with chrome plated or polyester powder finish |
| Certified: | c-CSA-us |
| Conception: | Suspension ou projecteur avec trois points distincts |
| Installation: | Sur pavillon, système de rails ou adaptateur pour plafond en pente. Tige et câble ajustable sur le chantier |
| Source lumineuse: | PAR20 ou halogène MR16 avec transformateur électronique |
| Structure: | Abat-jour en acier embouti avec fini chromé ou peinture électrostatique à base de polyester |
| Certifié: | c-CSA-us |