

PIXEL 4026

PROJECT PROJÉT
SPEC TYPE
NOTES



OVERALL HEIGHT HAUTEUR HORS TOUT

LIGHT SOURCE	LED TRACK 1 CIRCUIT	LED *	LED DIM * -8W 277V *
MOUNTING	2734E	2401C	2403G
STEM 4026	41.05"	38.55"	39.55"
STEM 4064	44.30"	41.80"	42.80"

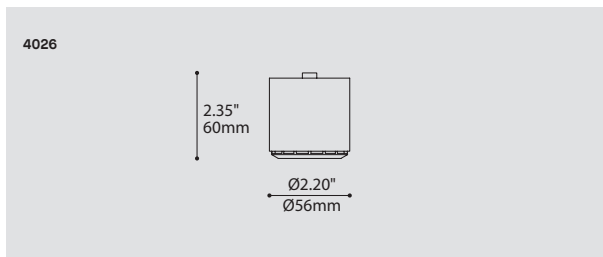
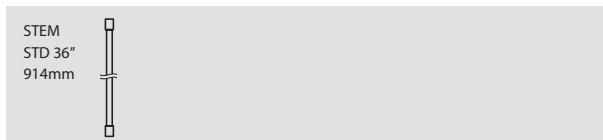
FOR 2026 / 2064 ADD 1.60" FOR SWIVEL
*FOR NO STEM / STEM ≤ 12IN - CANOPY 2401C + ACCESSORY 3983

MOUNTING OPTIONS OPTIONS DE MONTAGE

2734E	2401C	2403G
6.15" x 2.00" 156 x 51mm	Ø4.50" x 0.50" Ø114 x 13mm	Ø4.50" x 1.75" Ø114 x 44mm

* OVERALL HEIGHT DOES NOT INCLUDE TRACK THICKNESS

STEM OR CABLE OPTIONS OPTIONS DE TIGE OU CABLE



ORDERING SPECIFICATION SPÉCIFICATION DE COMMANDE	CODE
MODEL MODÈLE	4026
4026 PIXEL (PENDANT)	
LIGHT SOURCE SOURCE LUMINEUSE	
(WATTAGE, LAMP TYPE, OTHER INFO)	
LED.4 4W, LED	
LED.8 8W, LED	
COLOR TEMPERATURE TEMPÉRATURE DE COULEUR	
30 3000K	
35 3500K	
40 4000K	
ANGLE BEAM ANGLE DE FAISCEAU	
17 17°	
48 48°	
VOLTAGE VOLTAGE	
120V 120 VOLT	
277V* 277 VOLT	
*NOT AVAILABLE WITH A TRACK ADAPTOR	
DIMMING OPTION OPTION DE GRADATION	
DV* 0-10V DIMMING (120-277V)**	
DP PHASE DIMMING (120V ONLY)**	
*NOT AVAILABLE WITH A TRACK ADAPTOR	
STEM TIGE	S6
S6 1/4" (6MM) STEM, FIELD ADJUSTABLE	
STEM LENGTH LONGUEUR DE TIGE	
36 36" STEM (STD LENGTH)	
** CUSTOM STEM LENGTH (PLEASE SPECIFY)*	
FOR OVERALL LENGTH PLEASE CONTACT YOUR EUREKA REPRESENTATIVE.	
*3983 ACCESSORY PROVIDED FOR STEM/CABLE ≤ 12", EXCEPT LED 8W 120 NON-DIMMING	
MOUNTING MONTAGE	
RC*	ROUND CANOPY / PAVILLON ROND FOR LED NON-DIMMING & STEM ≤ 12": 0.50" CANOPY (2401C) FOR DIMMING LED & 8W 277V: 1.75" CANOPY (2403G) *CANOPY FINISH ALWAYS CHROME
TA1	TRACK ADAPTOR / ADAPTATEUR DE RAIL 1 CIRCUIT LED DIMMING & NON-DIMMING 120V ADAPTOR (2734E)
MOUNTING OPTION OPTION DE MONTAGE	
SCA*	SLOPE CEILING ADAPTOR / ADAPTATEUR DE PLAFOND EN PENTE (ROTATION: 350°, PIVOT: 90°) *ONLY AVAILABLE WITH A STEM
TRACK ADAPTOR FINISH FINI ADAPTATEUR DE RAIL^(A)	
WH WHITE	
BLK BLACK	
^(A) FILL IN IF A TRACK ADAPTOR IS SELECTED, OTHERWISE LEAVE EMPTY	
STRUCTURE FINISH FINI STRUCTURE	CHR
CHR CHROME	
CYLINDER FINISH FINI CYLINDRE	
BLKA BLACK ANODIZED	
SA SATIN ALUMINUM	
WHE WHITE FINE TEXTURE	
HEATSINK FINISH FINI RADIATEUR	BLKA
BLKA BLACK ANODIZED	
ACCESSORY ACCESSOIRE	
3983 DEEP JUNCTION BOX (PROVIDED FOR STEM ≤ 12" AS PER ABOVE)	

PRODUCT CHARACTERISTICS CARACTÉRISTIQUES DU PRODUIT



DESIGN: Same beautiful proportions and clean look of the Point, Voxel and Pixel are smaller sized minimalist projectors. Cleverly integrated heat sink with beautiful front edge detail and incredible LED performance in a mini-projector.

OPTIC: 17° or 48° beam angle total internal reflecting (TIR) multi-lens.

STRUCTURE: Black anodized die-cast aluminum heat sink with CNC machined aluminum housing available in satin aluminum finish, black or white polyester powder finish.

CERTIFIED: c-CSA-us, c-UL-us

ANATOMY

BIM

DIM

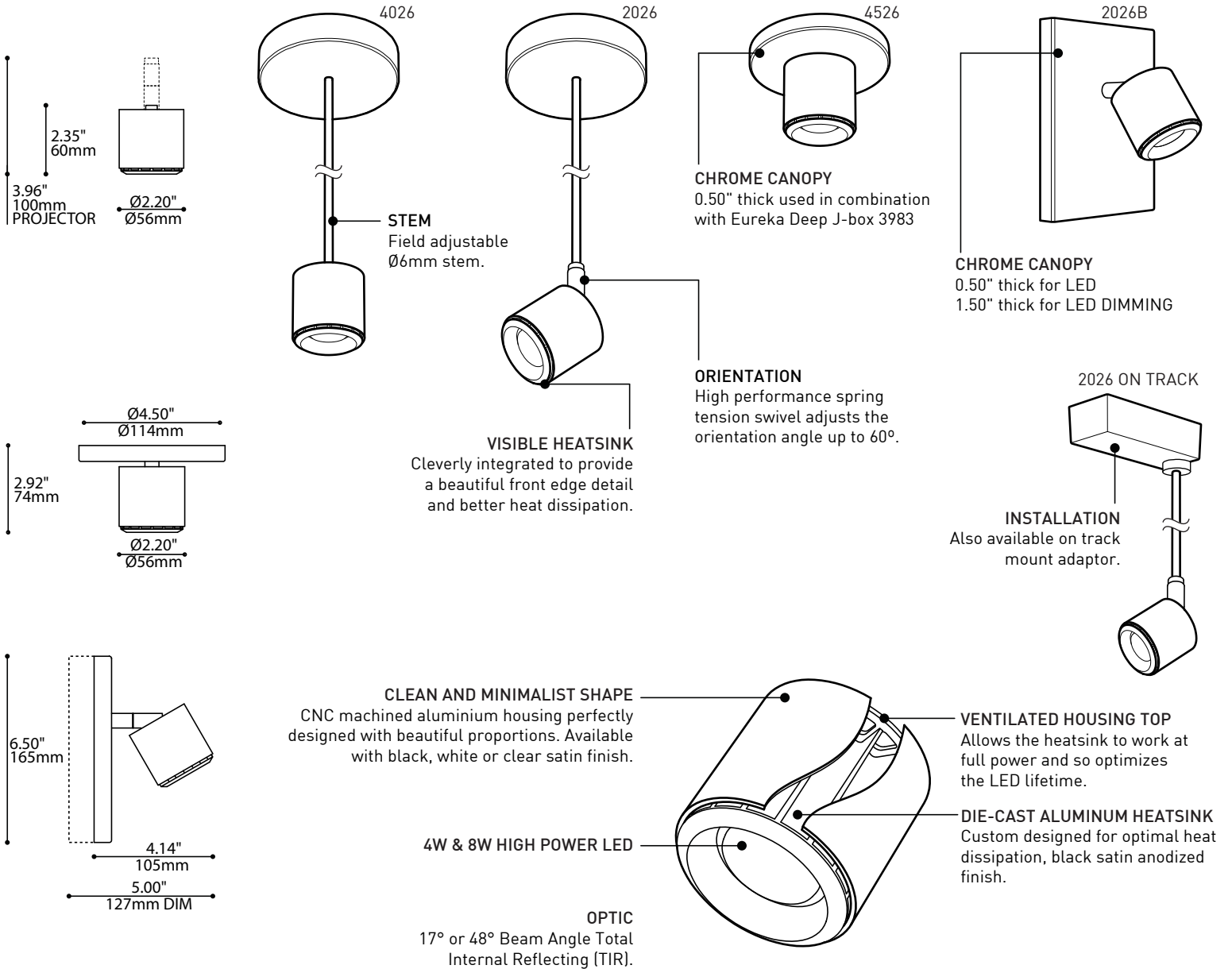
IES

LED

2026
2026B
350°

2026
2026B
60°

PIXEL



SPECIFICATIONS

4W LED

8W LED

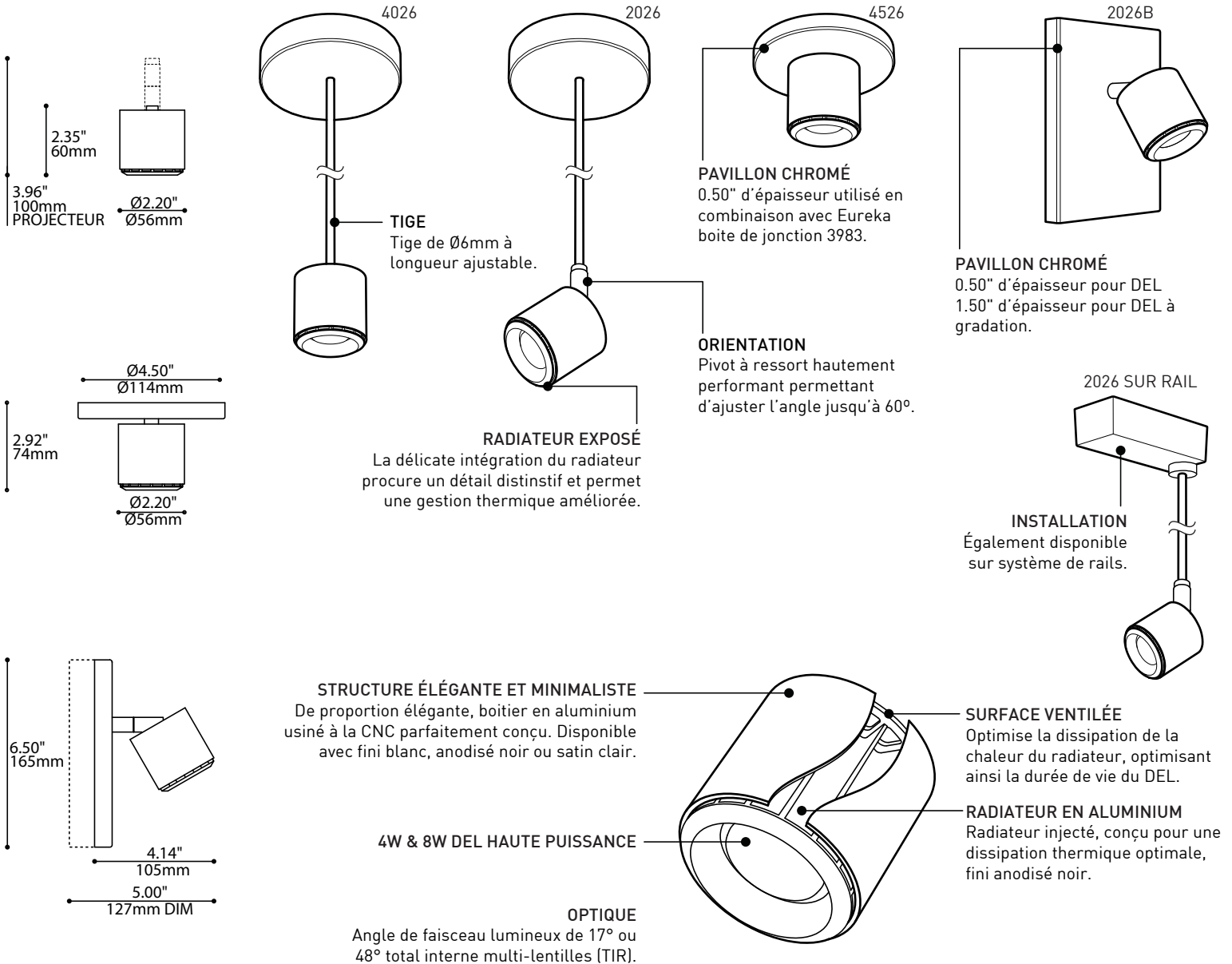
LIGHT SOURCE	4x1W High Power LED on MCPCB - System Wattage 4.8W Total	4x2W High Power LED on MCPCB - System Wattage 9.9W Total
DELIVERED LUMENS	541 lm	1003 lm
CRI	80 CRI (typical)	
CCT	3-step MacAdam Ellipse binning	
HOUSING	Machined aluminium cylinder	
HEATSINK	Black anodized aluminum	
LIGHT DISTRIBUTION	Directional projector (2026/2026B) or Direct (4026/4526)	
OPTICS	Total Internal Reflection (TIR) of 17° & 48° beam angle	
VOLTAGE	120V (DP) and 120-277V (DV)	
DRIVER	Constant Current driver 350mA, UL Recognized	Constant Current driver 700mA, UL Recognized
DIMMING	Phase Dimming (DP) and 0-10V Dimming (DV)	
LM-79	On request	On request
WARRANTY	5 years	



225 de Liège Ouest, Suite #200
 Montréal (QC), Canada H2P 1H4
 Tel : 514.385.3515 Fax : 514.385.4169
 www.eurekalighting.com



2026 4026
 2026B 4526



SPECIFICATIONS

SOURCE LUMINEUSE
LUMENS RÉELS

IRC

CCT

BOÎTIER

RADIATEUR

DISTRIBUTION LUMINEUSE

OPTIQUES

VOLTAGE

PILOTE

GRADATION

LM-79

GARANTIE

DEL 4W

4 DEL 1W haute puissance - Puissance totale de 4.8W

541 lm

80 CRI (typique)

3-step MacAdam Ellipse binning

Cylindre en aluminium usiné

Aluminium anodisé noir

Projecteur directionnel (2026/2026B) ou Direct (4026/4526)

Angle de faisceau de 17° & 48° Réflexion totale interne (TIR)

120V (DP) et 120-277V (DV)

Courant Constant 350mA, Reconnu UL

DP "phase dimming" et DV "0-10V dimming"

Sur demande

5 ans

DEL 8W

4 DEL 2W haute puissance - Puissance totale de 9.9W

1003 lm

80 CRI (typique)

3-step MacAdam Ellipse binning

Cylindre en aluminium usiné

Aluminium anodisé noir

Projecteur directionnel (2026/2026B) ou Direct (4026/4526)

Angle de faisceau de 17° & 48° Réflexion totale interne (TIR)

120V (DP) et 120-277V (DV)

Courant Constant 700mA, Reconnu UL

DP "phase dimming" et DV "0-10V dimming"

Sur demande

5 ans