

SILENE SLIM 4035-WMQ

PROJECT PROJET
SPEC TYPE
NOTES



OVERALL HEIGHT HAUTEUR HORS TOUT

LIGHT SOURCE	HAL TRACK 1 CIRCUIT	INC TRACK 1 CIRCUIT	INC TRACK 2 CIRCUIT	INC HAL	CFL-CMH	CFL DIM
MOUNTING	2734	2734B	2764B	2401E	2402G	2402J
CABLE	76.65"	78.00"	76.60"	75.65"	76.40"	52.90"
STEM	52.15"	52.50"	52.10"	51.15"	51.90"	52.40"

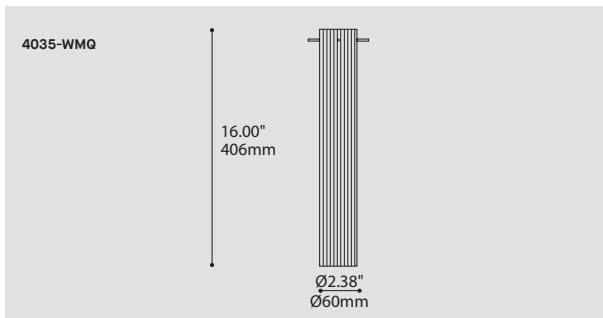
MOUNTING OPTIONS OPTIONS DE MONTAGE

2734	2734B	2764B	2401E	2402G	2402J
3.85" x 2.03" 98 x 52mm	1.46" x 1.36" 37 x 35mm	3.29" x 1.96" 84 x 48mm	Ø4.5" x 1" Ø114 x 25mm	Ø5.25" x 1.75" Ø133 x 44mm	Ø5.25" x 2.25" Ø133 x 57mm

* OVERALL HEIGHT DOES NOT INCLUDE TRACK THICKNESS

STEM OR CABLE OPTIONS OPTIONS DE TIGE OU CABLE

STEM STD 36" 914mm	CABLE STD 60" 1523mm



ORDERING SPECIFICATION SPÉCIFICATION DE COMMANDE

MODEL MODÈLE	4035-WMQ
4035-WMQ	SILENE SLIM
LIGHT SOURCE SOURCE LUMINEUSE	
(WATTAGE, LAMP TYPE, LAMP FORM, BASE TYPE, OTHER INFO)	
CF.D.13*	13W, CFL, DOUBLE TWIN TUBE, G24Q1 BASE
CF.D.18*	18W, CFL, DOUBLE TWIN TUBE, G24Q2 BASE
CF.D.26*	26W, CFL, DOUBLE TWIN TUBE, G24Q3 BASE
CF.S.13*	13W, CFL, TWIN TUBE, GX23 BASE (MAGNETIC) (120V ONLY)
CMH.MR16.20*	20W, CMH, MR16, GX10 BASE (120V OR 277V ONLY) (ANSI M156)
MR16C.50	50W, HAL, MR16C, GU5.3 BASE
BIPIN.50	50W, HAL, BIPIN, GY6.35 BASE
INC.100	100W, INC, B10 / HAL T10, MEDIUM BASE (120V ONLY)
	*NOT AVAILABLE WITH A TRACK ADAPTOR

VOLTAGE VOLTAGE	
120V	120 VOLT
277V*	277 VOLT
347V**	347 VOLT
	*NOT AVAILABLE WITH A TRACK ADAPTOR
	**ONLY AVAILABLE WITH CF.D.13, CF.D.18 AND CF.D.26 (NON-DIMMING BALLAST)

DIMMING OPTION OPTION DE GRADATION	
AVAILABLE WITH CF.D.18 AND CF.D.26 ONLY, MAXIMUM 36" STEM / CABLE LENGTH	
DED	LUTRON ECOSYSTEM ELECTRONIC DIMMING BALLAST (ECOSYSTEM DIGITAL LINK WIRING)
DE3	LUTRON ECOSYSTEM ELECTRONIC DIMMING BALLAST (3-WIRE WIRING)

STEM OR CABLE TIGE OU CABLE	
S6	1/4" (6MM) STEM, FIELD ADJUSTABLE (NOT AVAILABLE WITH CFL AND CMH LAMPS)
S10	3/8" (10MM) STEM, NOT FIELD ADJUSTABLE (FOR CFL AND CMH LAMPS ONLY)
C	CABLE, FIELD ADJUSTABLE

STEM OR CABLE LENGTH LONGUEUR DE TIGE OU CABLE	
36	36" STEM (STD LENGTH)
60	60" CABLE (STD LENGTH)
**	CUSTOM STEM LENGTH (PLEASE SPECIFY)
**	CUSTOM CABLE LENGTH (PLEASE SPECIFY)
	FOR OVERALL LENGTH PLEASE CONTACT YOUR EUREKA REPRESENTATIVE

MOUNTING MONTAGE	
RC	ROUND CANOPY / PAVILLON ROND FOR INC & HAL: 1" CANOPY (2401E) FOR CFL & CMH: 1.75" CANOPY (2402G) FOR DIMMING CFL: 2.25" CANOPY (2402J)
TA1	TRACK ADAPTOR / ADAPTATEUR DE RAIL 1 CIRCUIT HAL 120/12V ADAPTOR (2734) INC 120V ADAPTOR (2734B)
TA2	2 CIRCUITS INC 120V ADAPTOR (2764B)

MOUNTING OPTION OPTION DE MONTAGE	
SCA*	SLOPE CEILING ADAPTOR / ADAPTATEUR DE PLAFOND EN PENTE (ROTATION: 350°, PIVOT: 90°)
	*ONLY AVAILABLE WITH A STEM

TRACK ADAPTOR FINISH FINI ADAPTATEUR DE RAIL ^(A)	
WH	WHITE
BLK	BLACK
M G	METALLIC GRAY (1 CIRCUIT ONLY)
	^(A) FILL IN IF A TRACK ADAPTOR IS SELECTED, OTHERWISE LEAVE EMPTY

STRUCTURE FINISH FINI STRUCTURE ^(B)			
BLK	BLACK	S C	SATIN CHROME
CHR	CHROME	ACB	ANTIQUÉ COPPER BLACKENED
	^(B) INCLUDE CANOPY FINISH IF A CANOPY IS SELECTED		

DIFFUSER FINISH FINI DIFFUSEUR	
CLR	CLEAR

PRODUCT CHARACTERISTICS CARACTÉRISTIQUES DU PRODUIT

BIM **DIM** **IES**

DESIGN: Contemporary classic glass pendant may be mounted on track or canopy.
INSTALLATION: Cable or 6mm stem (2801) field adjustable; 10mm stem (2805) (not field adjustable).
STRUCTURE: Die-stamped steel and tubular steel structure with plated finish.
DIFFUSER: Extruded clear ribbed glass.
CERTIFIED: c-CSA-us