

MINI BEATBOX 4037-XLH

PROJECT PROJÉT
SPEC TYPE
NOTES



OVERALL HEIGHT HAUTEUR HORS TOUT

LIGHT SOURCE	HAL TRACK 1 CIRCUIT	LED TRACK 1 CIRCUIT	HAL-LED	LED DIM
MOUNTING	2734	2734E	2431E	2436G
CABLE	71.00"	71.40"	70.00"	70.50"
STEM	46.45"	46.85"	45.45"	40.50"

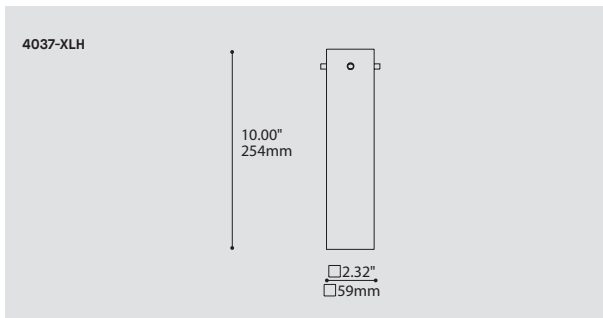
MOUNTING OPTIONS OPTIONS DE MONTAGE

2734	2734E	2431E	2436G
3.85" x 2.03" 98 x 52mm	6.15" x 2.00" 156 x 51mm	5.00" x 5.00" x 1.00" 127 x 127 x 25mm	6.25" x 6.25" x 1.50" 159 x 159 x 38mm

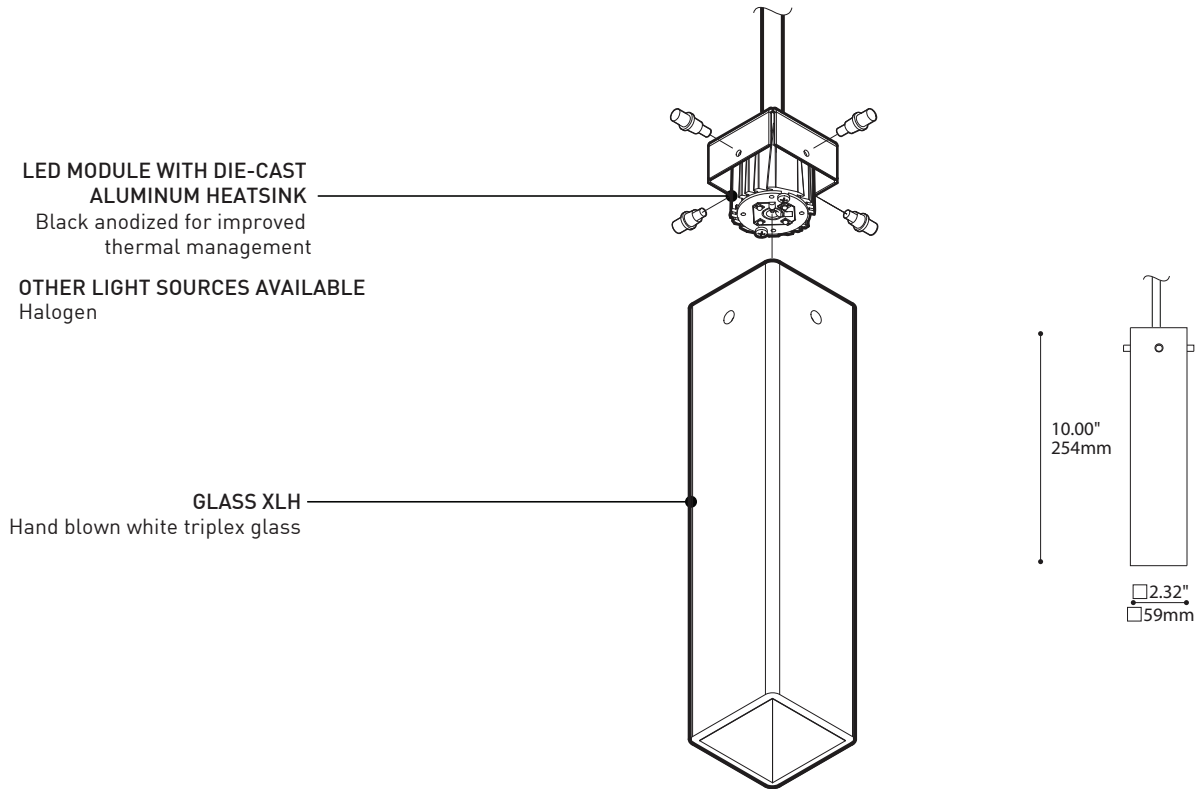
* OVERALL HEIGHT DOES NOT INCLUDE TRACK THICKNESS

STEM OR CABLE OPTIONS OPTIONS DE TIGE OU CABLE

STEM STD 36" 914mm	CABLE STD 60" 1523mm

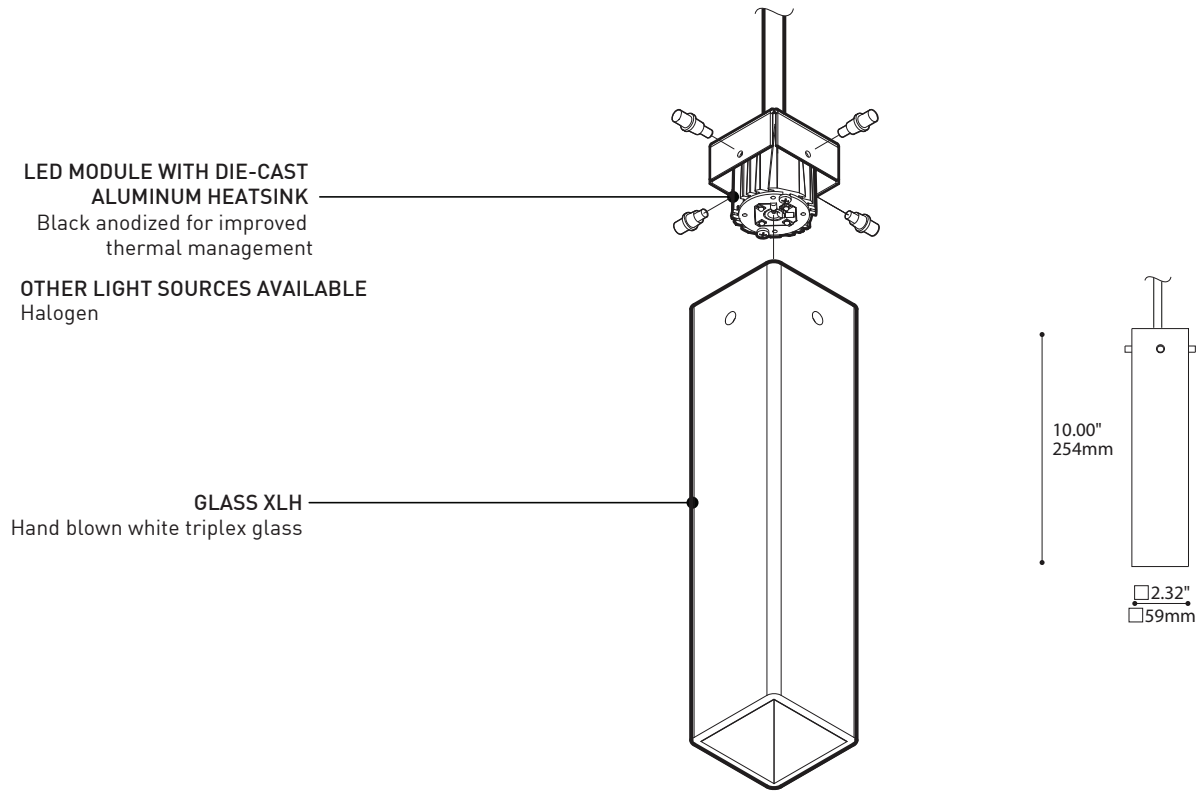


ORDERING SPECIFICATION	SPÉCIFICATION DE COMMANDE	CODE
MODEL MODÈLE		4037-XLH
4037-XLH	MINI BEATBOX	
LIGHT SOURCE SOURCE LUMINEUSE		
(WATTAGE, LAMP TYPE, LAMP FORM, BASE TYPE, OTHER INFO)		
BIPIN.50	50W, HAL, BIPIN, GY6.35 BASE	
LED.4	4W, LED	
*NOT AVAILABLE WITH A TRACK ADAPTOR		
COLOR TEMPERATURE TEMPÉRATURE DE COULEUR		
FOR LED ONLY		
30	3000K	
35	3500K	
40	4000K	
VOLTAGE VOLTAGE		
120V	120 VOLT	
277V*	277 VOLT	
DIMMING OPTION OPTION DE GRADATION		
FOR LED ONLY		
DV*	0-10V DIMMING (120-277V)	
DP	PHASE DIMMING (120V ONLY)	
*NOT AVAILABLE WITH A TRACK ADAPTOR		
STEM OR CABLE TIGE OU CABLE		
S6	1/4" (6MM) STEM, FIELD ADJUSTABLE	
C	CABLE, FIELD ADJUSTABLE	
STEM OR CABLE LENGTH LONGUEUR DE TIGE OU CABLE		
36	36" STEM (STD LENGTH)	
60	60" CABLE (STD LENGTH)	
**	CUSTOM STEM LENGTH (PLEASE SPECIFY)	
**	CUSTOM CABLE LENGTH (PLEASE SPECIFY)	
FOR OVERALL LENGTH PLEASE CONTACT YOUR EUREKA REPRESENTATIVE.		
MOUNTING MONTAGE		
SQC	SQUARE CANOPY / PAVILLON CARRÉ FOR HAL & LED: 1.00" CANOPY (2431E) FOR DIMMING LED: 1.50" CANOPY (2436G)	
TA1	TRACK ADAPTOR / ADAPTATEUR DE RAIL 1 CIRCUIT HAL 120/12V ADAPTOR (2734) LED DIMMING & NON-DIMMING 120V ADAPTOR (2734E)	
MOUNTING OPTION OPTION DE MONTAGE		
SCA*	SLOPE CEILING ADAPTOR / ADAPTATEUR DE PLAFOND EN PENTE (ROTATION: 350°, PIVOT: 90°) *ONLY AVAILABLE WITH A STEM	
TRACK ADAPTOR FINISH FINI ADAPTATEUR DE RAIL ^(A)		
WH	WHITE	
BLK	BLACK	
M G	METALLIC GRAY (2734 ONLY)	
^(A) FILL IN IF A TRACK ADAPTOR IS SELECTED, OTHERWISE LEAVE EMPTY		
STRUCTURE FINISH FINI STRUCTURE ^(B)		
CHR	CHROME	
S C	SATIN CHROME	
^(B) INCLUDE CANOPY FINISH IF A CANOPY IS SELECTED		
DIFFUSER FINISH FINI DIFFUSEUR		WH
WH	WHITE	



SPECIFICATIONS

	LED	Halogen
LIGHT SOURCE	4 x Nichia - total ± 4w	Bipin 50w, G9 60 w
MODULE	UL recognized - made in USA	N/A
LUMENS (ESTIMATED)	376 lm - 468 lm (4000K)	N/A
CRI	85 CRI (typical)	N/A
ROHS	Compliant	
VOLTAGE	120V ou 277V	120V or 277V
DRIVER	350 mA	Electronic low voltage transformer
DIMMING	Phase dimming (DP) or 0-10V Dimming (DV)	Dimmable
LM-79	On request	
WARRANTY	5 years (on electronic components)	
CERTIFICATION	CSA recognized	



SPÉCIFICATIONS

	DEL	Halogène
SOURCE LUMINEUSE	4 x Nichia - total ± 4w	Bipin 50w, G9 60 w
MODULE	Reconnu par UL - Fabriqué aux États-Unis	N/A
LUMENS (ESTIMÉ)	376 lm - 468 lm (4000K)	N/A
IRC	85 IRC (typique)	N/A
ROHS	Conforme	
VOLTAGE	120V ou 277V	120V ou 277V
PILOTE	350 mA	Transformateur électronique à bas voltage
GRADATION	Gradation phase (DP) ou Gradation 0-10V (DP)	Disponible
LM-79	Sur demande	
GARANTIE	5 ans (sur les composantes électroniques)	
CERTIFICATION	Reconnu par CSA	