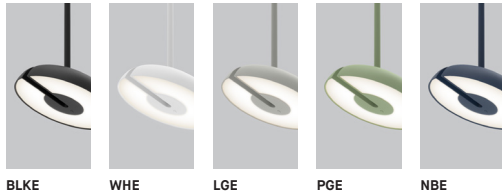


LILY 4040

PROJECT PROJÉT
SPEC TYPE
NOTES



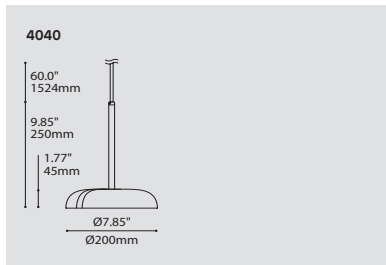
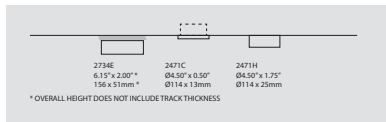
FINISHES FINIS



OVERALL HEIGHT HAUTEUR HORS TOUT

	LED TRACK 1 CIRCUIT	LED 0.50" CANOPY	LED 1.75" CANOPY
MOUNTING	2734E	2471C	2471H
CABLE	71.85"	70.35"	71.60"

MOUNTING OPTIONS OPTIONS DE MONTAGE

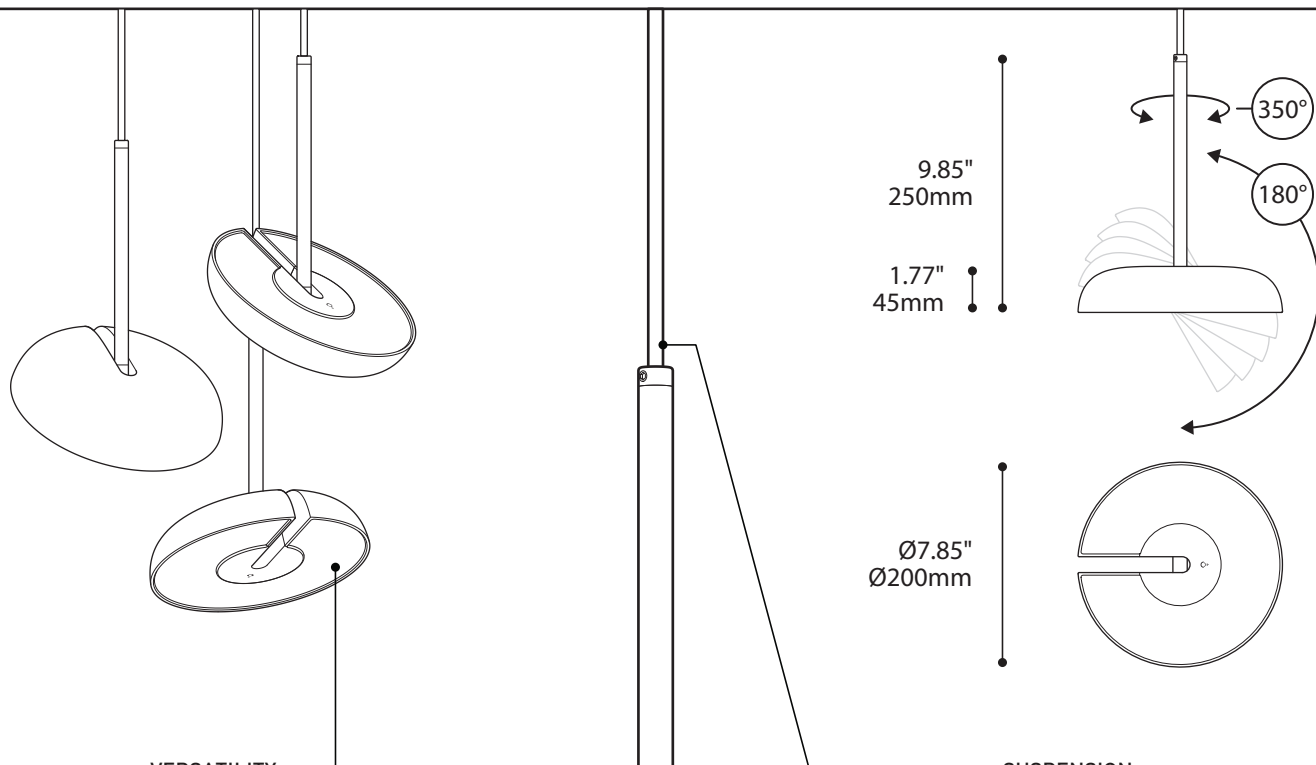


ORDERING SPECIFICATION	SPÉCIFICATION DE COMMANDE	CODE
MODEL MODÈLE		4040
4040	LILY	
LIGHT SOURCE SOURCE LUMINEUSE		
LED	REGULAR OUTPUT	
LED.HO	HIGH OUTPUT	
COLOR TEMPERATURE TEMPÉRATURE DE COULEUR		
27*	2700K	
30	3000K	
35	3500K	
40	4000K	
	* LONGER LEAD TIME MAY APPLY, PLEASE CONTACT YOUR EUREKA REPRESENTATIVE	
COLOR RENDERING INDEX (CRI) INDICE DE RENDU DE COULEUR (IRC)		
80	80+ CRI	
90*	90+ CRI	
	* LONGER LEAD TIME MAY APPLY, PLEASE CONTACT YOUR EUREKA REPRESENTATIVE	
VOLTAGE VOLTAGE		
120V	120 VOLT	
277V*	277 VOLT	
	* NOT AVAILABLE FOR TRACK ADAPTOR	
DIMMING OPTION OPTION DE GRADATION		
DV*	0-10V DIMMING (120V-277V)	
DP	PHASE DIMMING (120V ONLY)	
	LED DIMMING DRIVER IS STANDARD IN THIS PRODUCT, PLEASE SPECIFY YOUR DIMMING TYPE	
	* NOT AVAILABLE FOR TRACK ADAPTOR	
CABLE CABLE		C
C*	BLACK OR WHITE CABLE, FIELD ADJUSTABLE	
	* FOR WHITE HEAD FINISH: WHITE CABLE, FOR OTHER HEAD FINISH: BLACK CABLE	
CABLE LENGTH LONGUEUR DE CABLE		
60	60" CABLE (STD LENGTH)	
**	CUSTOM CABLE LENGTH (PLEASE SPECIFY)	
	FOR OVERALL LENGTH, PLEASE CONTACT YOUR EUREKA REPRESENTATIVE	
MOUNTING MONTAGE		
RC1	ROUND CANOPY / PAVILLON ROND	
RC2*	SCREWLESS 1.75" CANOPY (2471H)	
	SCREWLESS 0.5" CANOPY (2471C)	
TA1	TRACK ADAPTOR / ADAPTEUR DE RAIL	
	1 CIRCUIT	
	LED DIMMING 120V ADAPTOR (2734E)	
	* 3983 ACCESSORY IS NECESSARY FOR 2471C	
TRACK ADAPTOR FINISH FINI ADAPTEUR DE RAIL (A)		
BLK	BLACK	
WH	WHITE	
	(A) FILL IN IF A TRACK ADAPTOR IS SELECTED, OTHERWISE LEAVE EMPTY	
CANOPY FINISH FINI PAVILLON (B)		
BLKE	BLACK FINE TEXTURE	
WHE	WHITE FINE TEXTURE	
	(B) FILL IN IF A CANOPY IS SELECTED, OTHERWISE LEAVE EMPTY.	
HEAD FINISH FINI TÊTE (C)		
BLKE	BLACK FINE TEXTURE	
WHE	WHITE FINE TEXTURE	
LGE	LIGHT GREY FINE TEXTURE	
PGE	PALE GREEN FINE TEXTURE	
NBE	NAVY BLUE FINE TEXTURE	
RAL*	PLEASE SPECIFY RAL CODE	
	(C) STEM FINISH IS COLOR MATCHING HEAD FINISH	
	* LONGER LEAD TIME MAY APPLY, PLEASE CONTACT YOUR EUREKA REPRESENTATIVE	
DIFFUSER FINISH FINI DIFFUSEUR		WH
WH	WHITE	
ACCESSORY ACCESSOIRE		
3983	DEEP JUNCTION BOX (REQUIRED FOR SCREWLESS 0.5" CANOPY 2471C OPTION)	

PRODUCT CHARACTERISTICS CARACTÉRISTIQUES DU PRODUIT



CERTIFIED: c-CSA-us, c-UL-us



VERSATILITY

Adjustable fixture, light can be aimed in the direction of your choice

EFFICIENT DESIGN

Custom die-casted aluminum head, finished with an architectural grade matte fine textured paint

LUMINOUS DIFFUSION

Optical grade translucent acrylic lens with an internal reflector, for an efficient Lambertian type distribution

SUSPENSION

Single cable pendant, adjustable at will. Available with canopy mounting or track system options

TECHNICAL HINGE

Internal friction hinge, allows a 350° rotation and a 180° pivot orientation of the fixture

HIGH PERFORMANCE LIGHT SOURCE

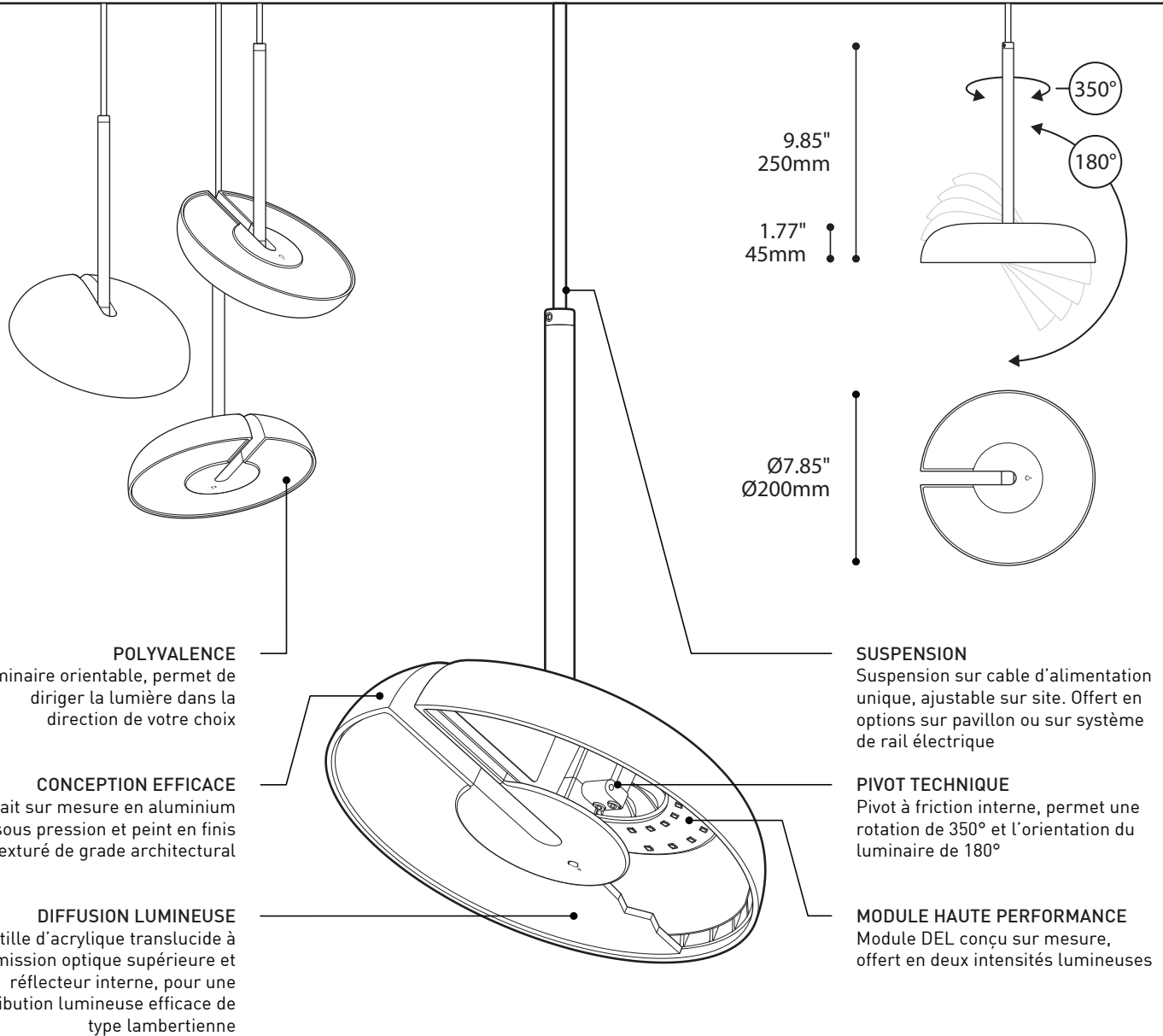
Custom LED module offered in two light outputs

SPECIFICATIONS

4040 REG

4040 HO

LIGHT SOURCE	48 x Mid power LED on MCPCB	48 x Mid power LED on MCPCB
SYSTEM WATTAGE	14W Total	21W Total
DELIVERED LUMENS	900 lm (4000K)	1200 lm (4000K)
CRI	80+ CRI	
LIGHT DISTRIBUTION	Direct or indirect, adjustable	
MODULE	UL Recognized, Proprietary design LED board - Made in USA	
SHADE	Diecasted aluminum head, offered in pale green, navy blue, black, light grey or white fine textured paint	
STRUCTURE	Machined aluminum stem and swivel; swivel allows for a 350° rotation and a 180° pivot	
VOLTAGE	120V or 277V	
DRIVER	Constant current	
DIMMING	Phase dimming (DP) or 0-10V dimming (DV); track mounting is only available with phase dimming	
LM-79	Available on request	
WARRANTY	5 years	



POLYVALENCE

Luminaire orientable, permet de diriger la lumière dans la direction de votre choix

CONCEPTION EFFICACE

Tête fait sur mesure en aluminium moulé sous pression et peint en finis mat texturé de grade architectural

DIFFUSION LUMINEUSE

Lentille d'acrylique translucide à transmission optique supérieure et réflecteur interne, pour une distribution lumineuse efficace de type lambertienne

SUSPENSION

Suspension sur câble d'alimentation unique, ajustable sur site. Offert en options sur pavillon ou sur système de rail électrique

PIVOT TECHNIQUE

Pivot à friction interne, permet une rotation de 350° et l'orientation du luminaire de 180°

MODULE HAUTE PERFORMANCE

Module DEL conçu sur mesure, offert en deux intensités lumineuses

SPÉCIFICATIONS

4040 REG

4040 REG

SOURCE LUMINEUSE	48 x DEL puissance moyenne sur MCPCB	48 x DEL puissance moyenne sur MCPCB
PUISSANCE TOTALE	14W Total	21W Total
LUMENS RÉELS	900 lm (4000K)	1200 lm (4000K)
IRC	80+ IRC	
DISTRIBUTION LUMINEUSE	Directe ou indirecte, orientable	
MODULE	Module DEL design propriétaire reconnu par UL- Fait aux É-U	
ABAT-JOUR	Tête en aluminium coulé sous pression, offert en finis mat texturé vert pâle, bleu marine, noir, gris pâle ou blanc	
STRUCTURE	Tige et pivot en aluminium machiné, le pivot permet une rotation horizontal de 350° et un pivot de 180°	
VOLTAGE	120V ou 277V	
UNITÉ D'ALIMENTATION	Courant constant	
GRADATION	Gradation phase [DP] ou gradation 0-10V [DV]; la configuration sur rail n'est offerte qu'en gradation phase	
LM-79	Disponible sur demande	
GARANTIE	5 ans	