

TURBINE 4045

PROJECT PROJÉT
SPEC TYPE
NOTES



OVERALL HEIGHT HAUTEUR HORS TOUT

LIGHT SOURCE	LED TRACK 1 CIRCUIT	LED DIM	LED DIM*
MOUNTING	2734E	2403G	2401C
CABLE	68.30"	68.10"	67.10"
STEM	44.30"	43.10"	42.10"

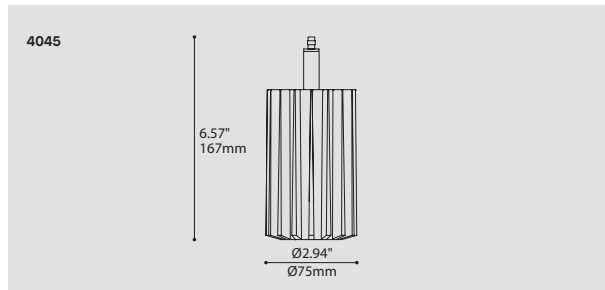
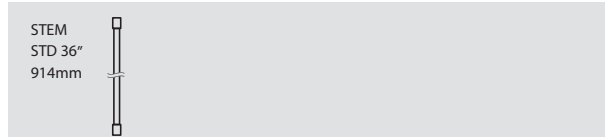
FOR 2045 ADD 1.85" FOR SWIVEL
*FOR NO STEM / STEM ≤ 12IN - CANOPY 2401C + ACCESSORY 3983

MOUNTING OPTIONS OPTIONS DE MONTAGE

2734E	2401C	2403G
6.15" x 2.00" 156 x 51mm	Ø4.50" x 0.50" Ø114 x 13mm	Ø4.50" x 1.50" Ø114 x 38mm

* OVERALL HEIGHT DOES NOT INCLUDE TRACK THICKNESS

STEM OR CABLE OPTIONS OPTIONS DE TIGE OU CABLE



ORDERING SPECIFICATION SPÉCIFICATION DE COMMANDE	CODE
MODEL MODÈLE	4045
4045 TURBINE (PENDANT)	
LIGHT SOURCE SOURCE LUMINEUSE	
(WATTAGE, LAMP TYPE, OTHER INFO)	
LED.11	11W, LED
LED.18	18W, LED
COLOR TEMPERATURE TEMPÉRATURE DE COULEUR	
30	3000K
35	3500K
40	4000K
ANGLE BEAM ANGLE DE FAISCEAU	
20	20°
40	40°
VOLTAGE VOLTAGE	
120V	120 VOLT
277V*	277 VOLT
	*NOT AVAILABLE WITH A TRACK ADAPTOR
DIMMING OPTION OPTION DE GRADATION	
DV*	0-10V DIMMING (120-277V)
DP	PHASE DIMMING (120V ONLY)
	LED DIMMING DRIVER IS STANDARD IN THIS PRODUCT, PLEASE SPECIFY YOUR DIMMING TYPE. *NOT AVAILABLE WITH A TRACK ADAPTOR
STEM TIGE	
S10	3/8" (10MM) STEM, NOT FIELD ADJUSTABLE
AC	AIRCRAFT MOUNTING & CLEAR CABLE, FIELD ADJUSTABLE
STEM LENGTH LONGUEUR DE TIGE	
36	36" STEM (STD LENGTH)
60	60" AIRCRAFT CABLE (STD LENGTH)
**	CUSTOM STEM LENGTH (PLEASE SPECIFY)*
**	CUSTOM AIRCRAFT CABLE LENGTH (PLEASE SPECIFY)*
	FOR OVERALL LENGTH PLEASE CONTACT YOUR EUREKA REPRESENTATIVE. *3983 ACCESSORY PROVIDED FOR STEM/CABLE ≤ 12"
MOUNTING MONTAGE	
RC*	ROUND CANOPY / PAVILLON ROND
	FOR LED & STEM/CABLE ≤ 12": 0.50" CANOPY (2401C) FOR LED: 1.75" CANOPY (2403G) *CANOPY FINISH ALWAYS CHROME
TA1	TRACK ADAPTOR / ADAPTATEUR DE RAIL
	1 CIRCUIT LED DIMMING 120V ADAPTOR (2734E)
MOUNTING OPTION OPTION DE MONTAGE	
SCA*	SLOPE CEILING ADAPTOR / ADAPTATEUR DE PLAFOND EN PENTE (ROTATION: 350°, PIVOT: 90°)
	*ONLY AVAILABLE WITH A STEM
TRACK ADAPTOR FINISH FINI ADAPTATEUR DE RAIL (A)	
WH	WHITE
BLK	BLACK
	(A) FILL IN IF A TRACK ADAPTOR IS SELECTED, OTHERWISE LEAVE EMPTY
STRUCTURE FINISH FINI STRUCTURE	CHR
CHR	CHROME
HEATSINK FINISH FINI RADIATEUR	BLKA
BLKA	BLACK ANODIZED
ACCESSORY ACCESSOIRE	
3983	DEEP JUNCTION BOX (PROVIDED FOR STEM/CABLE ≤ 12" AS PER ABOVE)

PRODUCT CHARACTERISTICS CARACTÉRISTIQUES DU PRODUIT



DESIGN: The largest and most powerful in our black technical projectors, Turbine really grinds out the lumens. The exposed heat sink is designed to look cool and keep cool while generating up to 1615 delivered lumens (18W - 40° optic).

STRUCTURE: Die-cast aluminum heat sink with black satin anodized finish and inner die-formed steel parts with black polyester powder finish.

OPTIC: 20° or 40° beam angles total internal reflexion (TIR).

CERTIFIED: c-CSA-us, c-UL-us

ANATOMY

BIM

DIM

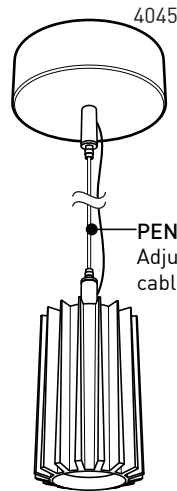
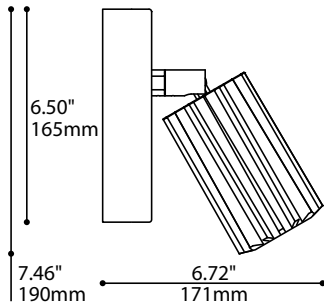
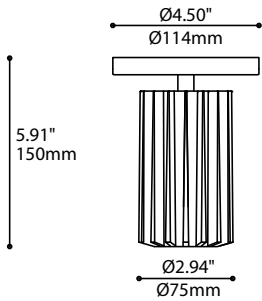
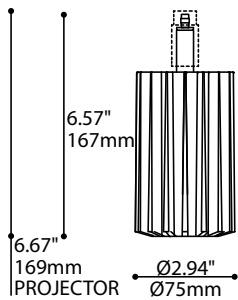
IES

LED

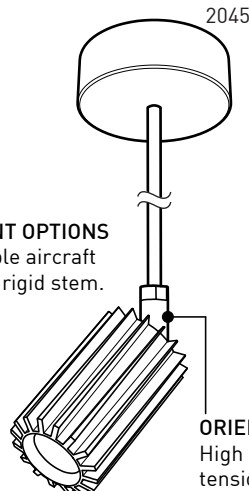
2045
2045B
350°

2045
2045B
60°

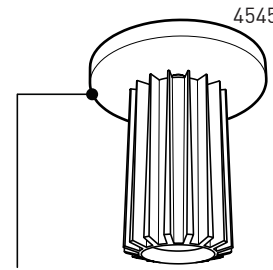
TURBINE



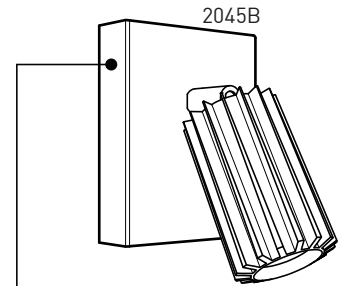
PENDANT OPTIONS
Adjustable aircraft cable or rigid stem.



ORIENTATION
High performance spring tension swivel adjusts the orientation angle up to 60°, on a Ø10mm stem.



CHROME CANOPY
0.50" thick used in combination with Eureka Deep J-box 3983



CHROME CANOPY
0.50" thick for LED
1.50" thick for LED DIMMING

2045 ON TRACK

INSTALLATION
Also available on track mount adaptor.

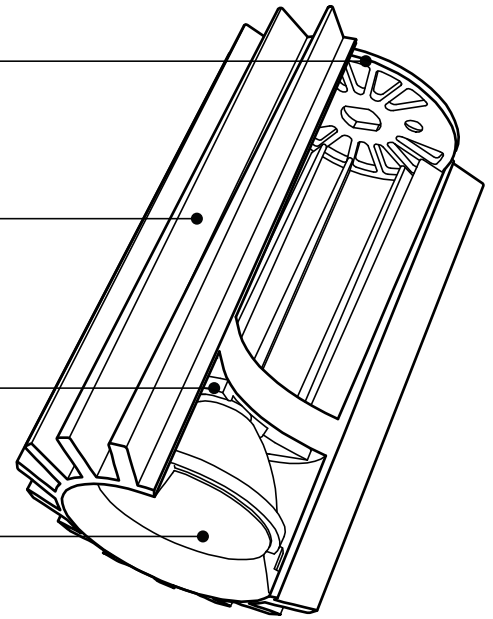


VENTILATED HEATSINK TOP
Die-formed steel parts with black polyester powder finish, chimney effect optimizes heat dissipation.

DIE-CAST ALUMINUM HEATSINK
Exposed heatsink designed to cool the powerful LED lightsource, black satin anodized finish.

1615 LUMENS LED
Only 22W generating up to 1615 delivered lumens (18W - 40° optic).

OPTIC
20° or 40° Beam Angle Total Internal Reflecting (TIR).



INSTALLATION
Also available on track mount adaptor.

SPECIFICATIONS

11W LED

18W LED

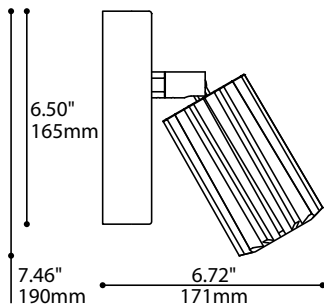
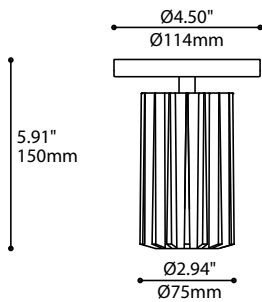
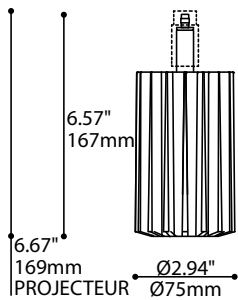
LIGHT SOURCE	1 x COB LED - System wattage 15W Total	1 x COB LED - System wattage 22W Total
DELIVERED LUMENS	1438 lm (40° optic) or 1457 lm (20° optic)	1858 lm (40° optic) or 1882 lm (20° optic)
CRI	80 CRI (typical)	
CCT	3-step MacAdam Ellipse binning	
HEATSINK	Black anodized aluminum	
LIGHT DISTRIBUTION	Directional projector (2045/2045B) or Direct (4045/4545)	
OPTICS	Total Internal Reflection (TIR) - 20° & 40° total beam angle	
VOLTAGE	120V (DP) and 120-277V (DV)	
DRIVER	Constant Current driver 350mA, UL Recognized	Constant Current driver 500mA, UL Recognized
DIMMING	Phase Dimming (DP) and 0-10V Dimming (DV)	
LM-79	On request	On request
WARRANTY	5 years	



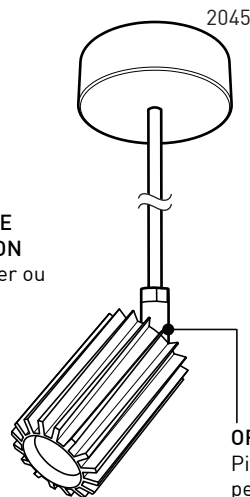
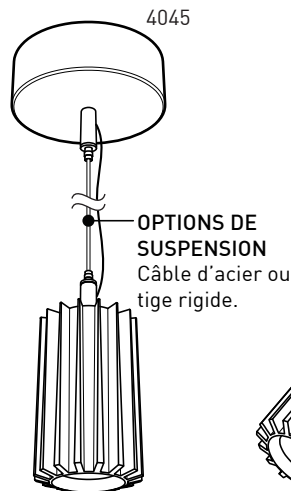
225 de Liège Ouest, Suite #200
Montréal (QC), Canada H2P 1H4
Tel : 514.385.3515 Fax : 514.385.4169
www.eurekalighting.com



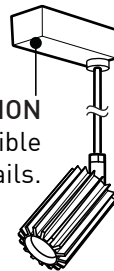
2045 4045
2045B 4545



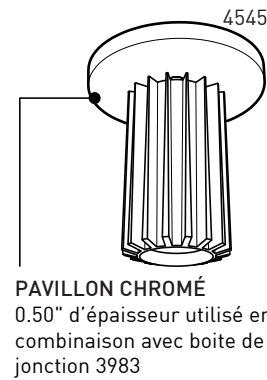
INSTALLATION
Également disponible sur système de rails.



2045 SUR RAIL

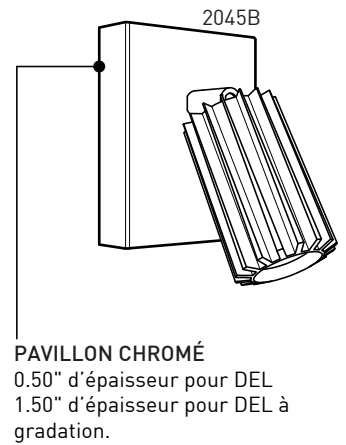


INSTALLATION
Également disponible sur système de rails.



PAVILLON CHROMÉ
0.50" d'épaisseur utilisé en combinaison avec boîte de jonction 3983

ORIENTATION
Pivot à ressort hautement performant permettant d'ajuster l'angle jusqu'à 60°. Monté sur une tige de Ø10mm.



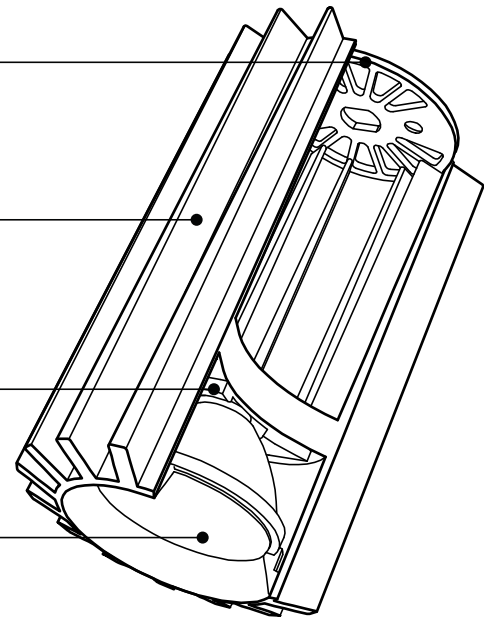
PAVILLON CHROMÉ
0.50" d'épaisseur pour DEL 1.50" d'épaisseur pour DEL à gradation.

SURFACE VENTILÉE
Acier fini à la peinture électrostatique noire conçu pour dissiper la chaleur grâce à un effet cheminée, optimisant ainsi la durée de vie du DEL.

RADIATEUR EN ALUMINIUM
Radiateur exposé conçu pour dissiper la chaleur de la puissante source lumineuse DEL, fini anodisé noir.

DEL DE 1615 LUMENS
DEL produisant jusqu'à 1615 lumens réels (18W - optique 40°), pour seulement 22W.

OPTIQUE
Angle de faisceau lumineux de 20° ou 40° total interne multi-lentilles (TIR).



SPECIFICATIONS

SOURCE LUMINEUSE

LUMENS RÉELS

IRC

CCT

RADIATEUR

DISTRIBUTION LUMINEUSE

OPTIQUES

VOLTAGE

PILOTE

GRADATION

LM-79

GARANTIE

DEL 11W

1 DEL "COB" - Puissance totale de 15W

1438lm (optique 40°) ou 1457 lm (20°)

80 CRI (typique)

3-step MacAdam Ellipse binning

Aluminium anodisé noir

Projecteur directionnel (2045/2045B) ou Direct (4045/4545)

Angle de faisceau de 20° & 40° Réflexion totale interne (TIR)

120V (DP) et 120-277V (DV)

Courant Constant 350mA, Reconnu UL

DP "phase dimming" et DV "0-10V dimming"

Sur demande

5 ans

DEL 18W

1 DEL "COB" - Puissance totale de 22W

1858 lm (optique 40°) ou 1882 lm (20°)

80 CRI (typique)

3-step MacAdam Ellipse binning

Aluminium anodisé noir

Projecteur directionnel (2045/2045B) ou Direct (4045/4545)

Angle de faisceau de 20° & 40° Réflexion totale interne (TIR)

120V (DP) et 120-277V (DV)

Courant Constant 500mA, Reconnu UL

DP "phase dimming" et DV "0-10V dimming"

Sur demande

5 ans