

# VOXEL 4064

PROJECT PROJÉT
SPEC TYPE
NOTES



## OVERALL HEIGHT HAUTEUR HORS TOUT

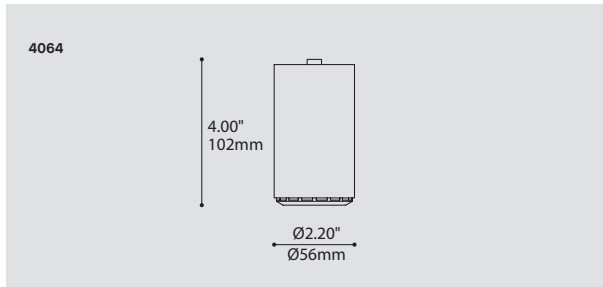
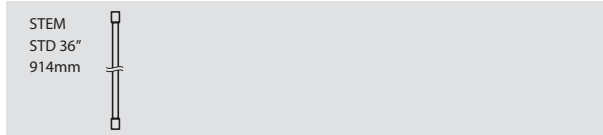
LIGHT SOURCE	LED *	LED DIM * -8W 277V *
MOUNTING	2401C	2403G
STEM 4026	38.55"	39.55"
STEM 4064	41.80"	42.80"
FOR 2026 /2064 ADD 1.60" FOR SWIVEL		
*FOR NO STEM / STEM ≤12IN -CANOPY 2401C + ACCESSORY 3983		

## MOUNTING OPTIONS OPTIONS DE MONTAGE

2401C	2403G
Ø4.50" x 0.50"	Ø4.50" x 1.75"
Ø114 x 13mm	Ø114 x 44mm

\* OVERALL HEIGHT DOES NOT INCLUDE TRACK THICKNESS

## STEM OR CABLE OPTIONS OPTIONS DE TIGE OU CABLE



ORDERING SPECIFICATION SPÉCIFICATION DE COMMANDE	CODE
<b>MODEL MODÈLE</b>	
4064 VOXEL (PENDANT)	
<b>LIGHT SOURCE SOURCE LUMINEUSE</b>	
(WATTAGE, LAMP TYPE, OTHER INFO)	
LED.4	4W, LED
LED.8	8W, LED
<b>COLOR TEMPERATURE TEMPÉRATURE DE COULEUR</b>	
27	2700K
30	3000K
35	3500K
40*	4000K
*LONGER LEAD TIME MAY APPLY, PLEASE CONTACT YOUR EUREKA REPRESENTATIVE	
<b>COLOR RENDERING INDEX (CRI) INDICE DE RENDU DE COULEUR (IRC)</b>	90
90	90+ CRI
<b>ANGLE BEAM ANGLE DE FAISCEAU</b>	
17	17°
48	48°
<b>VOLTAGE VOLTAGE</b>	
120V	120 VOLT
277V	277 VOLT
<b>DIMMING OPTION OPTION DE GRADATION</b>	
DV	0-10V DIMMING (120-277V)
DP	PHASE DIMMING (120V ONLY)
<b>STEM TIGE</b>	S6
S6	1/4" (6MM) STEM, FIELD ADJUSTABLE
<b>STEM LENGTH LONGUEUR DE TIGE</b>	
36	36" STEM (STD LENGTH)
**	CUSTOM STEM LENGTH (PLEASE SPECIFY)*
FOR OVERALL LENGTH PLEASE CONTACT YOUR EUREKA REPRESENTATIVE.	
*3983 ACCESSORY PROVIDED FOR STEM/CABLE ≤ 12", EXCEPT LED 8W 120 NON-DIMMING	
<b>MOUNTING MONTAGE</b>	
RC*	ROUND CANOPY / PAVILLON ROND
	FOR LED NON-DIMMING & STEM ≤ 12": 0.50" CANOPY (2401C)
	FOR DIMMING LED & 8W 277V: 1.75" CANOPY (2403G)
	*CANOPY FINISH ALWAYS CHROME
<b>MOUNTING OPTION OPTION DE MONTAGE</b>	
SCA*	SLOPE CEILING ADAPTOR / ADAPTATEUR DE PLAFOND EN PENTE (ROTATION: 350°, PIVOT: 90°)
	*ONLY AVAILABLE WITH A STEM
<b>STRUCTURE FINISH FINI STRUCTURE</b>	CHR
CHR	CHROME
<b>CYLINDER FINISH FINI CYLINDRE</b>	
BLKA	BLACK ANODIZED
SA	SATIN ALUMINUM
WHE	WHITE FINE TEXTURE
<b>HEATSINK FINISH FINI RADIATEUR</b>	BLKA
BLKA	BLACK ANODIZED
<b>ACCESSORY ACCESSOIRE</b>	
3983	DEEP JUNCTION BOX (PROVIDED FOR STEM ≤ 12" AS PER ABOVE)

## PRODUCT CHARACTERISTICS CARACTÉRISTIQUES DU PRODUIT

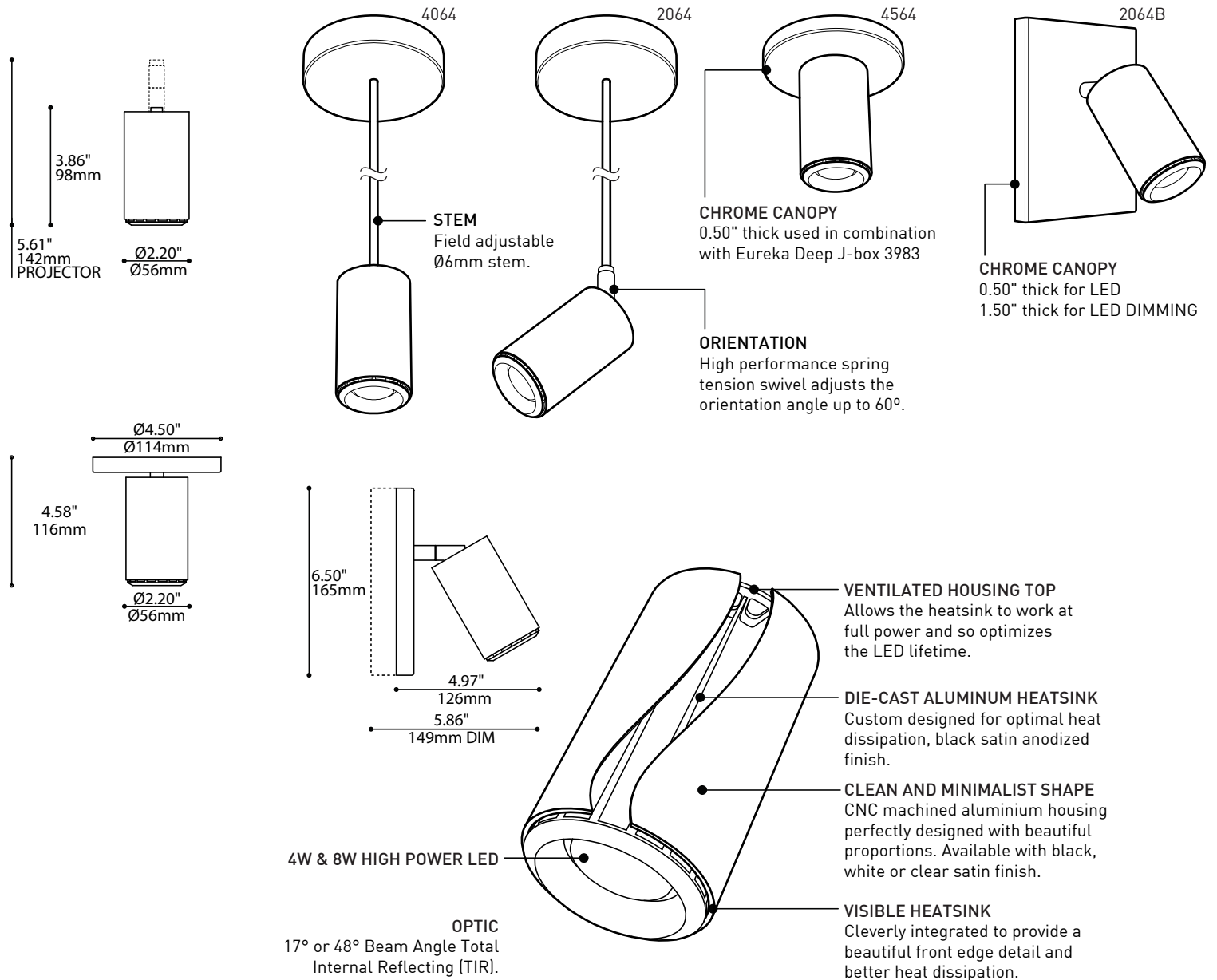


**DESIGN:** Same beautiful proportions and clean look of the Point, Voxel and Pixel are smaller sized minimalist projectors. Cleverly integrated heat sink with beautiful front edge detail and incredible LED performance in a mini-projector.

**OPTIC:** 17° or 48° beam angle total internal reflecting (TIR) multi-lens.

**STRUCTURE:** Black anodized die-cast aluminum heat sink with CNC machined aluminum housing available in satin aluminum finish, black or white polyester powder finish.

**CERTIFIED:** c-CSA-us, c-UL-us

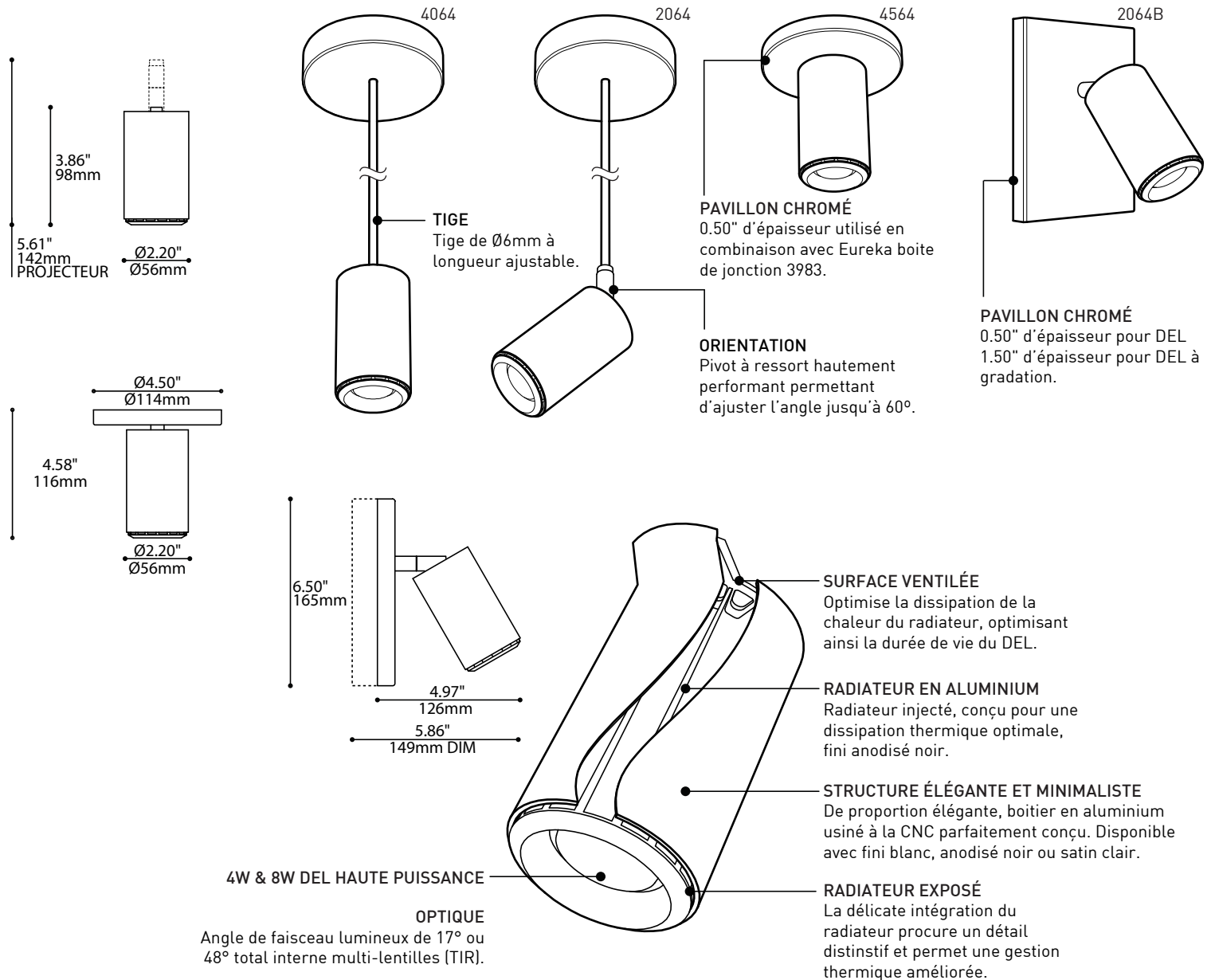


## SPECIFICATIONS

### 4W LED

### 8W LED

LIGHT SOURCE	4x1W High Power LED on MCPCB - System Wattage 4.9W Total	4x2W High Power LED on MCPCB - System Wattage 9.9W Total
DELIVERED LUMENS	541 lm	1003 lm
CRI	80 CRI (typical)	
CCT	3-step MacAdam Ellipse binning	
HOUSING	Machined aluminium cylinder	
HEATSINK	Black anodized aluminum	
LIGHT DISTRIBUTION	Directional projector [2064/2064B] or Direct [4064/4564]	
OPTICS	Total Internal Reflection (TIR) of 17° & 48° beam angle	
VOLTAGE	120V (DP) and 120-277V (DV)	
DRIVER	Constant Current driver 350mA, UL Recognized	Constant Current driver 700mA, UL Recognized
DIMMING	Phase Dimming (DP) and 0-10V Dimming (DV)	
LM-79	On request	On request
WARRANTY	5 years	



## SPECIFICATIONS

SOURCE LUMINEUSE  
LUMENS RÉELS

IRC

CCT

BOÎTIER

RADIATEUR

DISTRIBUTION LUMINEUSE

OPTIQUES

VOLTAGE

PILOTE

GRADATION

LM-79

GARANTIE

## 4W DEL

4 DEL 1W haute puissance - Puissance totale de 4.8W

541 lm

80 CRI (typique)

3-step MacAdam Ellipse binning

Cylindre en aluminium usiné

Aluminium anodisé noir

Projecteur directionnel (2064/2064B) ou Direct (4064/4564)

Angle de faisceau de 17° & 48° Réflexion totale interne (TIR)

120V (DP) et 120-277V (DV)

Courant Constant 350mA, Reconnu UL

DP "phase dimming" et DV "0-10V dimming"

Sur demande

5 ans

## 8W DEL

4 DEL 2W haute puissance - Puissance totale de 9.9W

1003 lm

1003 lm

80 CRI (typique)

3-step MacAdam Ellipse binning

Cylindre en aluminium usiné

Aluminium anodisé noir

Projecteur directionnel (2064/2064B) ou Direct (4064/4564)

Angle de faisceau de 17° & 48° Réflexion totale interne (TIR)

120V (DP) et 120-277V (DV)

Courant Constant 700mA, Reconnu UL

DP "phase dimming" et DV "0-10V dimming"

Sur demande

5 ans



EUREKA

225 de Liège Ouest, Suite #200  
Montréal (QC), Canada H2P 1H4  
Tel : 514.385.3515 Fax : 514.385.4169  
www.eurekalighting.com



2064 4064  
2064B 4564