

SILENE CLASSIC 4156B-JDJA

PROJECT PROJET

SPEC TYPE

NOTES



OVERALL HEIGHT HAUTEUR HORS TOUT

| LIGHT SOURCE | HAL TRACK 1 CIRCUIT | INC TRACK 1 CIRCUIT | LED TRACK 1 CIRCUIT | INC TRACK 2 CIRCUIT | INC-HAL -LED | LED DIM | CFL-CMH | CFL DIM |
|--------------|------------------------|------------------------|------------------------|------------------------|-----------------|---------|---------|---------|
| MOUNTING | 2734 | 2734B | 2734F | 2764B | 2401E | 2403G | 2402G | 2402J |
| CABLE | 73.20" | 72.55" | 74.05" | 73.15" | 73.20" | 73.70" | 72.95" | 49.45" |
| STEM | 48.60" | 47.95" | 49.45" | 48.55" | 47.60" | 48.10" | 48.75" | 49.25" |

MOUNTING OPTIONS OPTIONS DE MONTAGE

| 2734 | 2734B | 2734F | 2764B | 2401E | 2403G | 2402G | 2402J |
|---------------|---------------|---------------|---------------|----------------|----------------|----------------|----------------|
| 3.85" x 2.03" | 1.46" x 1.36" | 7.25" x 1.70" | 3.29" x 1.96" | Ø4.50" x 1.00" | Ø4.50" x 1.50" | Ø5.25" x 1.75" | Ø5.25" x 2.25" |
| 98 x 52mm | 37 x 35mm | 37 x 35mm | 84 x 48mm | Ø114 x 25mm | Ø114 x 38mm | Ø133 x 44mm | Ø133 x 57mm |

* OVERALL HEIGHT DOES NOT INCLUDE TRACK THICKNESS

STEM OR CABLE OPTIONS OPTIONS DE TIGE OU CABLE

| | |
|--------------------------|----------------------------|
| STEM STD 36" 914mm | CABLE STD 60" 1523mm |
|--------------------------|----------------------------|

4156B-JDJ/4156B-JDJA



ORDERING SPECIFICATION SPÉCIFICATION DE COMMANDE

CODE

MODEL MODÈLE

4156B-JDJA

4156B-JDJA SILENE CLASSIC (CLOSED BOTTOM ACRYLIC DIFFUSER)

LIGHT SOURCE SOURCE LUMINEUSE

(WATTAGE, LAMP TYPE, LAMP FORM, BASE TYPE, OTHER INFO)

CF.D.13*  13W, CFL, DOUBLE TWIN TUBE, G24Q1 BASE

CF.D.18*  18W, CFL, DOUBLE TWIN TUBE, G24Q2 BASE

LED.4  4W, LED

*NOT AVAILABLE WITH A TRACK ADAPTOR

COLOR TEMPERATURE TEMPÉRATURE DE COULEUR

FOR LED ONLY

30 3000K

35 3500K

40 4000K

VOLTAGE VOLTAGE

120V 120 VOLT

277V* 277 VOLT

347V** 347 VOLT

*NOT AVAILABLE WITH A TRACK ADAPTOR

**ONLY AVAILABLE WITH CF.D.13, CF.D.18 AND CF.D.26 (NON-DIMMING BALLAST)

DIMMING OPTION OPTION DE GRADATION

AVAILABLE WITH CF.D.18 AND CF.D.26 ONLY, MAXIMUM 36" STEM / CABLE LENGTH

DED LUTRON ECOSYSTEM ELECTRONIC DIMMING BALLAST (ECOSYSTEM DIGITAL LINK WIRING)**

DE3 LUTRON ECOSYSTEM ELECTRONIC DIMMING BALLAST (3-WIRE WIRING)**

FOR LED ONLY

DV* 0-10V DIMMING (120-277V)

DP PHASE DIMMING (120V ONLY)

*NOT AVAILABLE WITH A TRACK ADAPTOR

STEM OR CABLE TIGE OU CABLE

S6 1/4" (6MM) STEM, FIELD ADJUSTABLE (NOT AVAILABLE WITH CFL LAMPS)

S10 3/8" (10MM) STEM, NOT FIELD ADJUSTABLE (FOR CFL LAMPS ONLY)

C CLEAR CABLE, FIELD ADJUSTABLE

STEM OR CABLE LENGTH LONGUEUR DE TIGE OU CABLE

36 36" STEM (STD LENGTH)

60 60" CABLE (STD LENGTH)

** CUSTOM STEM LENGTH (PLEASE SPECIFY)

** CUSTOM CABLE LENGTH (PLEASE SPECIFY)

FOR OVERALL LENGTH PLEASE CONTACT YOUR EUREKA REPRESENTATIVE.

MOUNTING MONTAGE

RC



ROUND CANOPY / PAVILLON ROND

FOR HAL & LED: 1.00" CANOPY (2401E)

FOR DIMMING LED: 1.75" CANOPY (2403G)

FOR CFL: 1.75" CANOPY (2402G)

FOR DIMMING CFL: 2.25" CANOPY (2402J)

TA1



TRACK ADAPTOR / ADAPTATEUR DE RAIL

1 CIRCUIT

HAL 120/12V ADAPTOR (2734)

LED DIMMING & NON-DIMMING 120V ADAPTOR (2734F)

MOUNTING OPTION OPTION DE MONTAGE

SCA* SLOPE CEILING ADAPTOR / ADAPTATEUR DE PLAFOND EN PENTE (ROTATION: 350°, PIVOT: 90°)

*ONLY AVAILABLE WITH A STEM

TRACK ADAPTOR FINISH FINI ADAPTATEUR DE RAIL^(A)

WH WHITE

BLK BLACK

M G METALLIC GRAY

^(A) FILL IN IF A TRACK ADAPTOR IS SELECTED, OTHERWISE LEAVE EMPTY

STRUCTURE FINISH FINI STRUCTURE

CHR CHROME

S C SATIN CHROME

CANOPY FINISH FINI PAVILLON^(B)

WH WHITE

^(B) IF NO FINISH IS SELECTED, CANOPY FINISH WILL BE THE SAME AS STRUCTURE FINISH

DIFFUSER FINISH FINI DIFFUSEUR

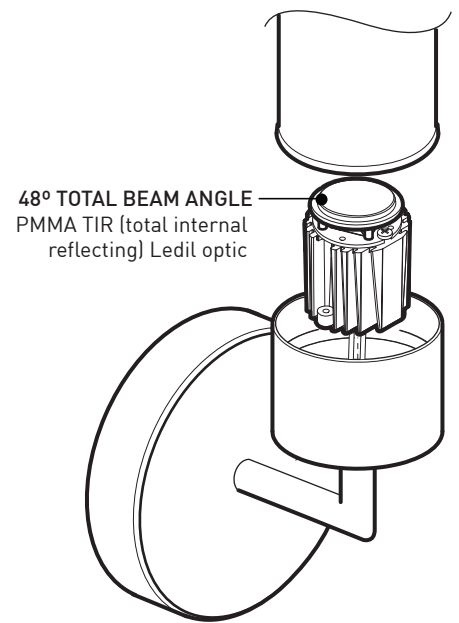
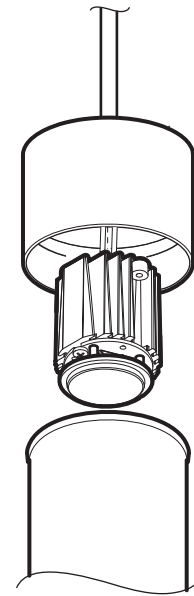
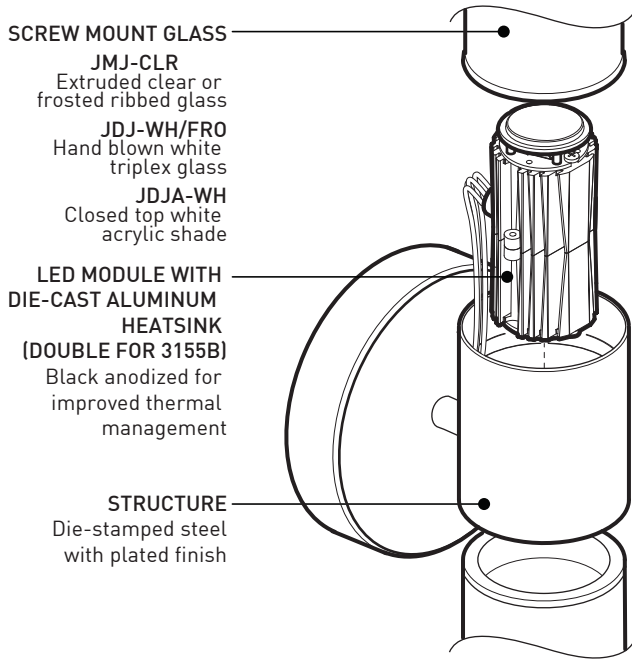
WH

WH WHITE

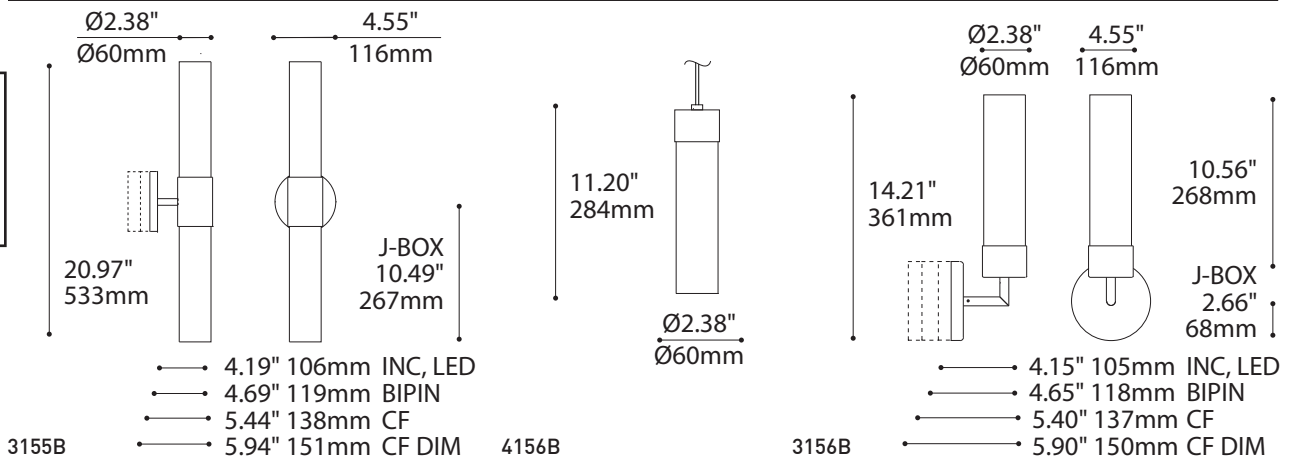
WALL MOUNT 3155B-JMJ/JDJ/JDJA

SUSPENSION 4156B-JMJ/JDJ/JDJA

WALL MOUNT 3156B-JMJ/JDJ/JDJA



OTHER LIGHT SOURCES AVAILABLE
Fluorescent
Halogen (for JDJ/JMJ)
Incandescent (for JDJ/JMJ)



SPECIFICATIONS

LIGHT SOURCE MODULE
LUMENS (ESTIMATED)
CRI
ROHS
VOLTAGE
DRIVER
DIMMING
WARRANTY
LM-79 & CERTIFICATION

3155B LED

2 x Nichia - total ±8 w
UL recognized - made in USA
752 lm - 936 lm (4000K)
85 CRI (typical)
Compliant
120V - 240V
350 mA
Phase dimming (DP) & 0-10V Dimming (DV)
5 years (on electronic components)
On request & CSA recognized

4156B /3156B LED

1 x Luxeon Rebel ES on MCPCB - total ±4 w
376 lm - 468 lm (4000K)

SPECIFICATIONS

LIGHT SOURCE
VOLTAGE

Fluorescent

CFL 13/18/26 w (x 2 for 3155B)
120V-277V-347V, 120V for GX23
(dimming option available)

Halogen (for JDJ/JMJ)

Bipin 50 w (x 2 for 3155B)
120V-277V

Incandescent (for JDJ/JMJ)

B10/T10 100 w (x 2 for 3155B)
120V

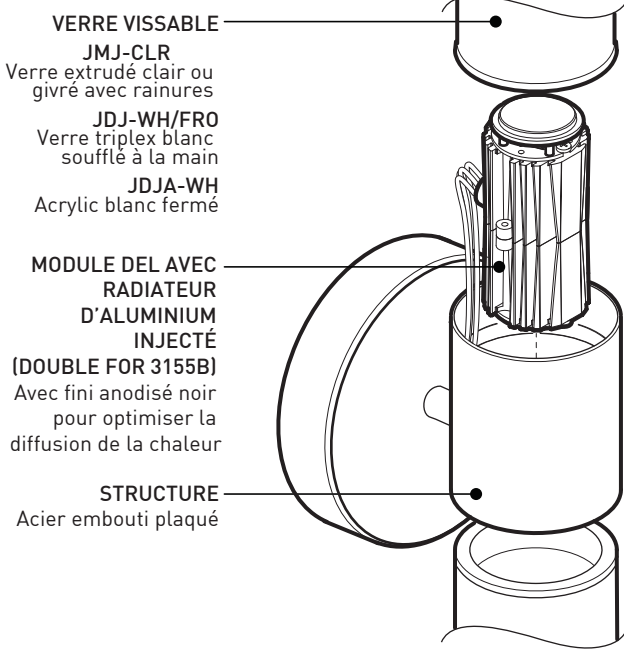


225 de Liège Ouest, Suite #200
Montréal (QC), Canada H2P 1H4
Tel : 514.385.3515 Fax : 514.385.4169
www.eurekalighting.com

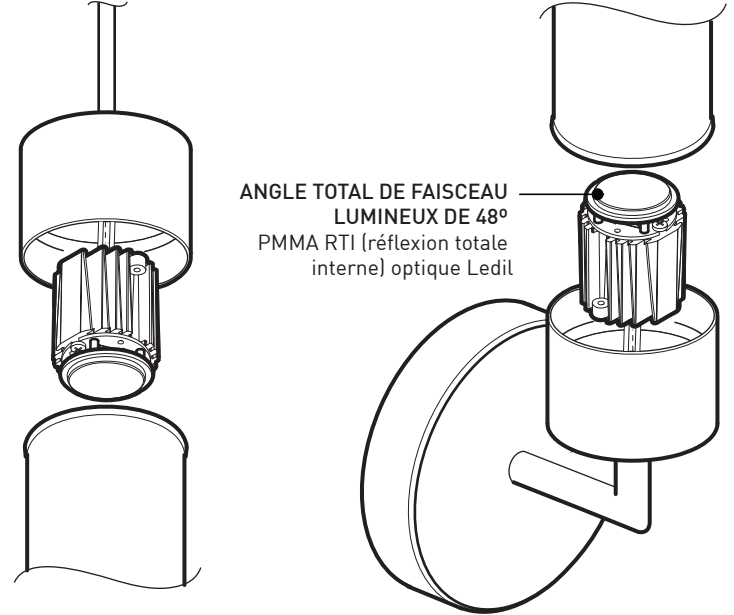


3155B 4156B
3156B

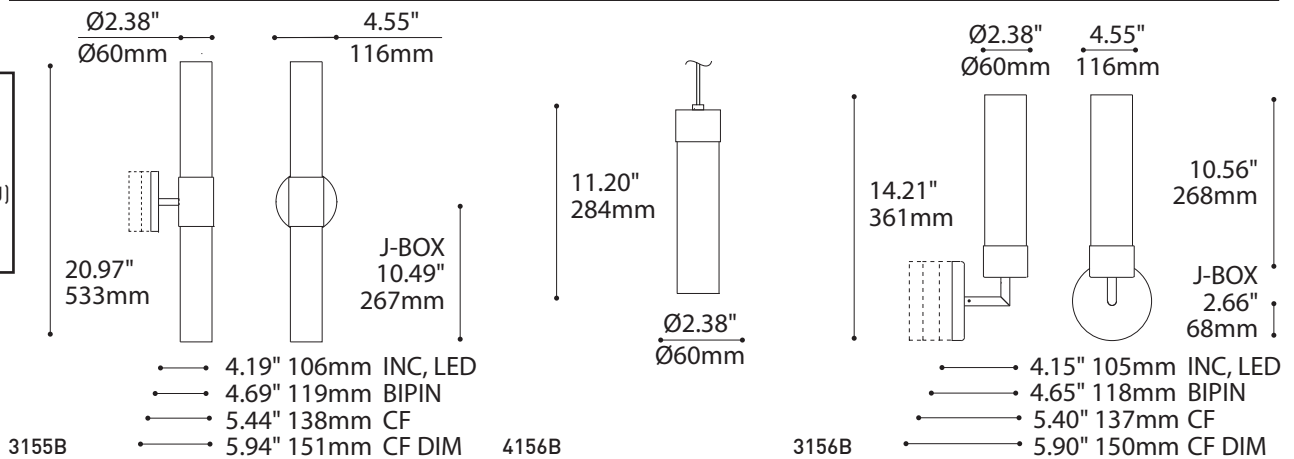
APPLIQUE MURALE 3155B-JMJ/JDJ/JDJA



SUSPENSION 4156B-JMJ/JDJ/JDJA APPLIQUE MURALE 3156B-JMJ/JDJ/JDJA



AUTRES SOURCES LUMINEUSES DISPONIBLES
Fluorescent
Halogène (pour JDJ/JMJ)
Incandescent (pour JDJ/JMJ)



SPECIFICATIONS

SOURCE LUMINEUSE
MODULE
LUMENS (ESTIMÉ)
IRC
ROHS
VOLTAGE
PILOTE
GRADATION
GARANTIE
LM-79 & CERTIFICATION

3155B DEL

2 x Nichia - total ±8 w
Reconnu par UL - fabriqué aux États-Unis
752 lm - 936 lm (4000K)
85 CRI [typique]
Conforme
120V - 240V
350 mA
Gradation phase [DP] & Gradation 0-10V [DV]
5 ans (sur les composantes électroniques)
Sur demande & reconnu par CSA

4156B /3156B DEL

1 x Nichia - total ±4 w
376 lm - 468 lm (4000K)
120V ou 277V
350 mA

SPECIFICATIONS

SOURCE LUMINEUSE
VOLTAGE

Fluorescent

CFL 13/18/26 w (x 2 pour 3155B)
120V-277V-347V, 120V pour GX23
(option de gradation disponible)

Halogène (for JDJ/JMJ)

Bipin 50 w (x 2 pour 3155B)
120V-277V

Incandescent (for JDJ/JMJ)

B10/T10 100 w (x 2 pour 3155B)
120V



225 de Liège Ouest, Suite #200
Montréal (QC), Canada H2P 1H4
Tel : 514.385.3515 Fax : 514.385.4169
www.eurekalighting.com



3155B 4156B
3156B