

MINI SQUARE SILENE 4157-XLH

PROJECT PROJÉT
SPEC TYPE
NOTES



OVERALL HEIGHT HAUTEUR HORS TOUT

LIGHT SOURCE	HAL TRACK 1 CIRCUIT	LED TRACK 1 CIRCUIT	HAL-LED	LED DIM	CFL	CFL DIM
MOUNTING	2734	2734E	2431E	2436G	2431G	2431J
STEM	47.35"	47.75"	46.35"	46.85"	47.10"	47.60"

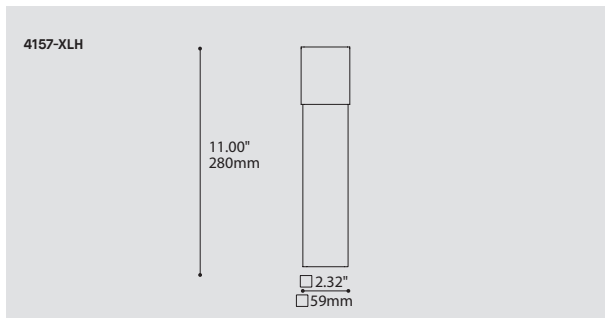
MOUNTING OPTIONS OPTIONS DE MONTAGE

	2734	2734E	2431E	2436G	2431G	2431J
2734	3.85" x 2.03"	6.15" x 2.00"	5.00" x 5.00" x 1.00"	6.25" x 6.25" x 1.50"	5.25" x 5.25" x 1.75"	5.75" x 5.75" x 2.25"
	98 x 52mm	156 x 51mm	127 x 127 x 25mm	159 x 159 x 38mm	133 x 133 x 44mm	146 x 146 x 57mm

* OVERALL HEIGHT DOES NOT INCLUDE TRACK THICKNESS

STEM OR CABLE OPTIONS OPTIONS DE TIGE OU CABLE

STEM STD 36" 914mm	
--------------------------	--



ORDERING SPECIFICATION SPÉCIFICATION DE COMMANDE

MODEL MODÈLE	4157-XLH	MINI SQUARE SILENE	CODE	4157-XLH
--------------	----------	--------------------	------	----------

LIGHT SOURCE SOURCE LUMINEUSE

(WATTAGE, LAMP TYPE, LAMP FORM, BASE TYPE, OTHER INFO)	
CF.D.13*	13W, CFL, DOUBLE TWIN TUBE, G24Q1 BASE
CF.D.18*	18W, CFL, DOUBLE TWIN TUBE, G24Q2 BASE
CF.D.26*	26W, CFL, DOUBLE TWIN TUBE, G24Q3 BASE
BIPIN.50	50W, HAL, BIPIN, GY6.35 BASE
LED.4	4W, LED

*NOT AVAILABLE WITH A TRACK ADAPTOR
**ONLY AVAILABLE WITH CF.D.13, CF.D.18 AND CF.D.26 (NON-DIMMING BALLAST)

COLOR TEMPERATURE TEMPÉRATURE DE COULEUR

FOR LED ONLY	
30	3000K
35	3500K
40	4000K

VOLTAGE VOLTAGE

120V	120 VOLT
277V*	277 VOLT
347V**	347 VOLT

*NOT AVAILABLE WITH A TRACK ADAPTOR
**ONLY AVAILABLE WITH CF.D.13, CF.D.18 AND CF.D.26 (NON-DIMMING BALLAST)

DIMMING OPTION OPTION DE GRADATION

AVAILABLE WITH CF.D.18 AND CF.D.26 ONLY, MAXIMUM 36" STEM LENGTH	
DED	LUTRON ECOSYSTEM ELECTRONIC DIMMING BALLAST (ECOSYSTEM DIGITAL LINK WIRING)
DE3	LUTRON ECOSYSTEM ELECTRONIC DIMMING BALLAST (3-WIRE WIRING)
FOR LED ONLY	
DV*	0-10V DIMMING (120-277V)
DP	PHASE DIMMING (120V ONLY)

*NOT AVAILABLE WITH A TRACK ADAPTOR

EMERGENCY BATTERY BATTERIE D'URGENCE

AVAILABLE WITH CF.D.13, CF.D.18 AND CF.D.26, 120V OR 277V ONLY. NOT AVAILABLE WITH A DIMMING BALLAST, MAXIMUM 60" STEM LENGTH	
REM ⁽¹⁾	REMOTE EMERGENCY BATTERY

⁽¹⁾ 3981 ACCESSORY IS REQUIRED FOR THIS OPTION

STEM OR CABLE TIGE OU CABLE

S6	1/4" (6MM) STEM, FIELD ADJUSTABLE (NOT AVAILABLE WITH CFL LAMPS)
S10	3/8" (10MM) STEM, NOT FIELD ADJUSTABLE (FOR CFL LAMPS ONLY)

STEM OR CABLE LENGTH LONGUEUR DE TIGE OU CABLE

36	36" STEM (STD LENGTH)
**	CUSTOM STEM LENGTH (PLEASE SPECIFY)

FOR OVERALL LENGTH PLEASE CONTACT YOUR EUREKA REPRESENTATIVE.

MOUNTING MONTAGE

SQC	SQUARE CANOPY / PAVILLON CARRÉ FOR LED & HAL: 1.00" CANOPY (2431E) FOR CFL: 1.75" CANOPY (2431G) FOR DIMMING CFL: 2.25" CANOPY (2431J) FOR DIMMING LED: 1.50" CANOPY (2436G)
TA1	TRACK ADAPTOR / ADAPTATEUR DE RAIL 1 CIRCUIT HAL 120/12V ADAPTOR (2734) LED DIMMING & NON-DIMMING 120V ADAPTOR (2734E)

MOUNTING OPTION OPTION DE MONTAGE

SCA	SLOPE CEILING ADAPTOR / ADAPTATEUR DE PLAFOND EN PENTE (ROTATION: 350°, PIVOT: 90°)
-----	---

TRACK ADAPTOR FINISH FINI ADAPTATEUR DE RAIL^(A)

WH	WHITE
BLK	BLACK
M G	METALLIC GRAY (2734 ONLY)

^(A) FILL IN IF A TRACK ADAPTOR IS SELECTED, OTHERWISE LEAVE EMPTY

STRUCTURE FINISH FINI STRUCTURE^(B)

CHR	CHROME
S C	SATIN CHROME

^(B) INCLUDE CANOPY FINISH IF A CANOPY IS SELECTED

DIFFUSER FINISH FINI DIFFUSEUR

WH	WHITE	WH
----	-------	----

ACCESSORY ACCESSOIRE

3981	JUNCTION BOX FOR CFL REMOTE EMERGENCY BATTERY
------	---

WALL MOUNT 3157

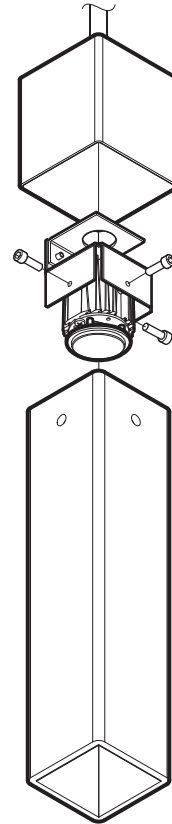
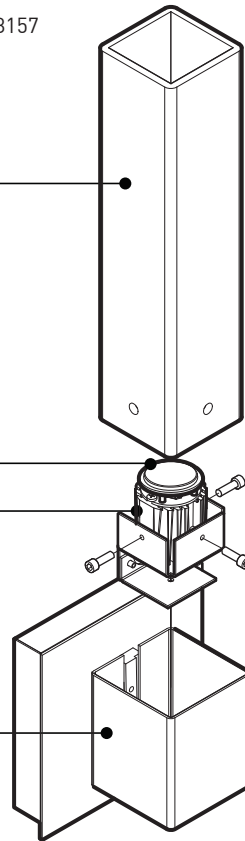
SUSPENSION 4157

GLASS XLH
Hand blown white triplex glass

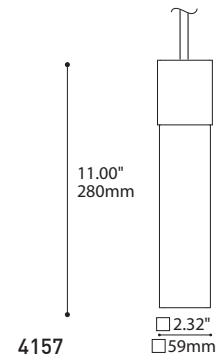
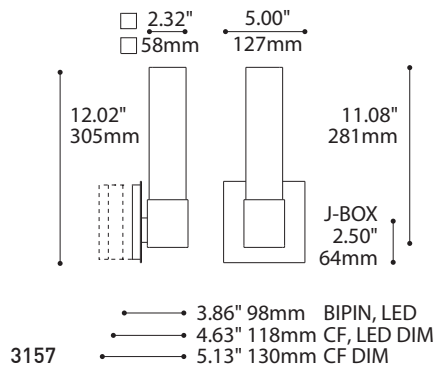
48° TOTAL BEAM ANGLE
PMMA TIR (total internal reflecting) Ledil optic

LED MODULE WITH DIE-CAST ALUMINUM HEATSINK
Black anodized for improved thermal management

STRUCTURE
Die-stamped steel with plated finish

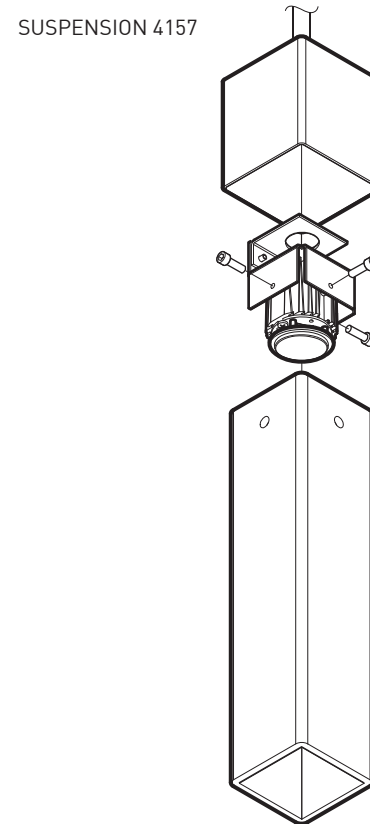
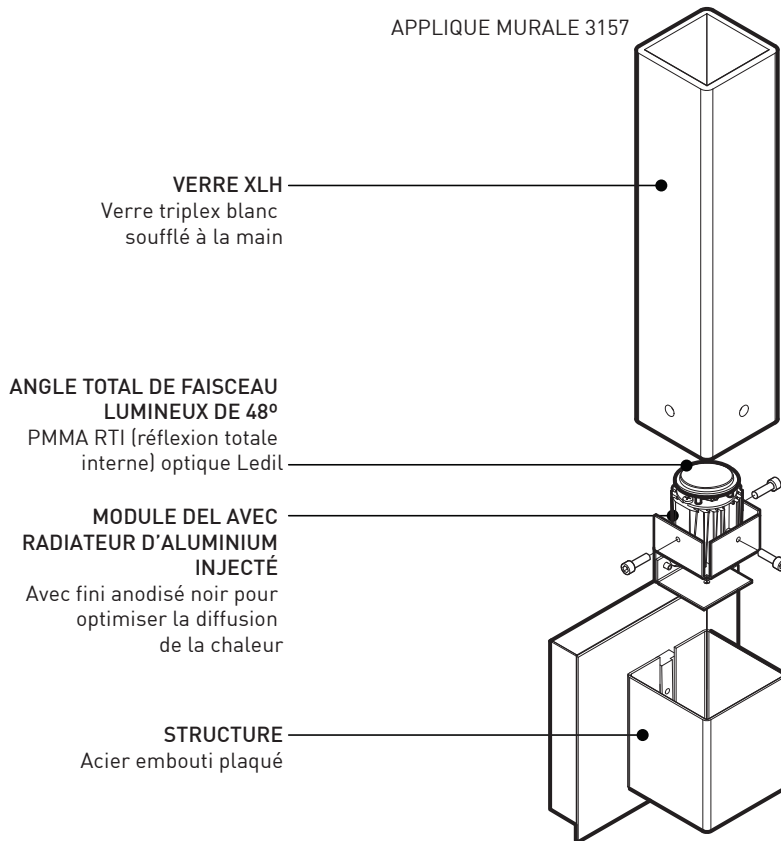


OTHER LIGHT SOURCES AVAILABLE
Fluorescent
Halogen

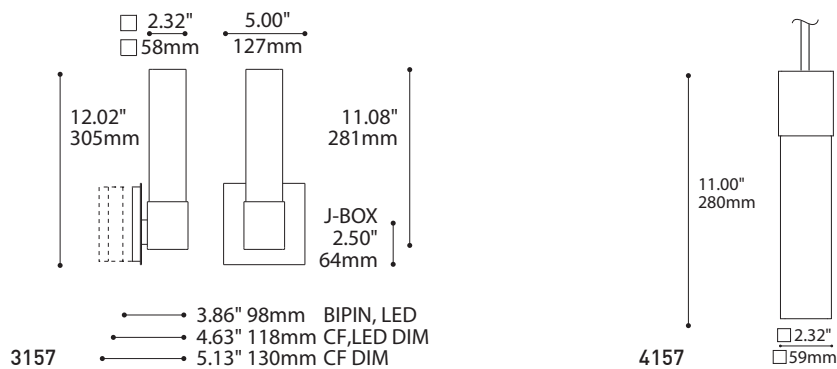


SPECIFICATIONS

	LED	Fluorescent	Halogen
LIGHT SOURCE	4 x Luxeon Rebel ES on MCPCB - total ±4 w	CFL 13/18/26 w	Bipin 50w
MODULE	UL recognized - made in USA	N/A	N/A
LUMENS (ESTIMATED)	376 lm - 468 lm (4000K)	1800 lm	N/A
CRI	85 CRI (typical)	N/A	N/A
ROHS	Compliant		
VOLTAGE	120V ou 277V	120V, 277V or 347V (non-dimming)	120V or 277V
DRIVER	350 mA	Smartmate Advance or equivalent	Electronic low voltage transformer
DIMMING	Phase dimming (DP) or 0-10V dimming (DV)	Advance Mark 7 or 10, Lutron Ecosystem	Dimmable
LM-79	On request		
WARRANTY	5 years (on electronic components)	3-5 years (on converter, depending of the converter)	
CERTIFICATION	CSA recognized		



AUTRES SOURCES LUMINEUSES DISPONIBLES
Fluorescent
Halogène



SPÉCIFICATIONS

	DEL	Fluorescent	Halogène
SOURCE LUMINEUSE	4 x Luxeon Rebel ES sur MCPCB - total ±4 w	CFL 13/18/26 w	Bipin 50w
MODULE	Reconnu par UL - Fabriqué aux États-Unis	N/A	N/A
LUMENS (ESTIMÉ)	376 lm - 468 lm (4000K)	1800 lm	N/A
IRC	85 IRC (typique)	N/A	N/A
ROHS	Conforme		
VOLTAGE	120V ou 277V	120V, 277V ou 347V (sans gradation)	120V ou 277V
PILOTE	350 mA	Smartmate Advance ou équivalent	Transformateur électronique à bas voltage
GRADATION LM-79	Gradation phase (DP) ou Gradation 0-10V (DV) Sur demande	Advance Mark 7 or 10, Lutron Ecosystem	Disponible
GARANTIE	5 ans (sur les composantes électroniques)	3-5 ans (sur le convertisseur, selon le convertisseur)	
CERTIFICATION	Reconnu par CSA		