

GALLERY 4162-NAH

| |
|----------------|
| PROJECT PROJÉT |
| SPEC TYPE |
| NOTES |



OVERALL HEIGHT HAUTEUR HORS TOUT

| LIGHT SOURCE | HAL TRACK 1 CIRCUIT | INC TRACK 1 CIRCUIT | INC TRACK 2 CIRCUIT | INC-HAL |
|--------------|------------------------|------------------------|------------------------|---------|
| MOUNTING | 2734 | 2734B | 2764B | 2401E |
| CABLE | 72.10" | 70.45" | 71.05" | 70.10" |
| STEM | 46.70" | 46.05" | 46.65" | 45.70" |

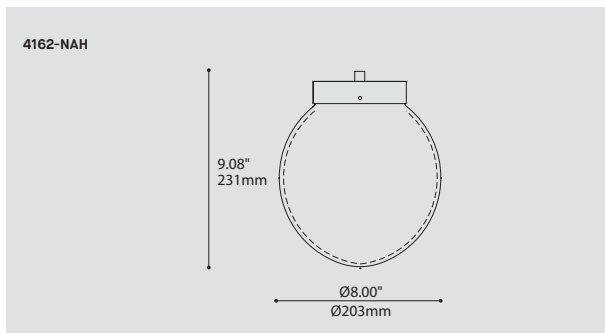
MOUNTING OPTIONS OPTIONS DE MONTAGE

| 2734 | 2734B | 2764B | 2401E |
|----------------------------|----------------------------|----------------------------|---------------------------|
| 3.85" x 2.03" 98 x 52mm | 1.46" x 1.36" 37 x 35mm | 3.29" x 1.96" 84 x 48mm | Ø4.5" x 1" Ø114 x 25mm |

* OVERALL HEIGHT DOES NOT INCLUDE TRACK THICKNESS

STEM OR CABLE OPTIONS OPTIONS DE TIGE OU CABLE

| | |
|--------------------------|-------------------------------|
| STEM STD 36" 914mm | AC CABLE STD 60" 1523mm |
|--------------------------|-------------------------------|



ORDERING SPECIFICATION SPÉCIFICATION DE COMMANDE

MODEL MODÈLE **4162-NAH** GALLERY **4162-NAH**

LIGHT SOURCE SOURCE LUMINEUSE

(WATTAGE, LAMP TYPE, LAMP FORM, BASE TYPE, OTHER INFO)
MR16.50 50W, HAL, MR16, GU5.3 BASE
INC.100 100W, INC, A19 / HAL T10, MEDIUM BASE (120V ONLY)

VOLTAGE VOLTAGE

120V 120 VOLT
277V* 277 VOLT
 *NOT AVAILABLE WITH A TRACK ADAPTOR

STEM OR CABLE TIGE OU CABLE

S6 1/4" (6MM) STEM, FIELD ADJUSTABLE
AC AIRCRAFT MOUNTING & CLEAR CABLE, FIELD ADJUSTABLE

STEM OR CABLE LENGTH LONGUEUR DE TIGE OU CABLE

36 36" STEM (STD LENGTH)
60 60" AIRCRAFT CABLE (STD LENGTH)
****** CUSTOM STEM LENGTH (PLEASE SPECIFY)
****** CUSTOM AIRCRAFT CABLE LENGTH (PLEASE SPECIFY)
 FOR OVERALL LENGTH PLEASE CONTACT YOUR EUREKA REPRESENTATIVE.

MOUNTING MONTAGE

RC ROUND CANOPY / PAVILLON ROND
 1.00" CANOPY (2401E)
TA1 TRACK ADAPTOR / ADAPTATEUR DE RAIL
 1 CIRCUIT
 HAL 120/12V ADAPTOR (2734)
 INC 120V ADAPTOR (2734B)

MOUNTING OPTION OPTION DE MONTAGE

SCA* SLOPE CEILING ADAPTOR / ADAPTATEUR DE PLAFOND EN PENTE
 (ROTATION: 350°, PIVOT: 90°)
 *ONLY AVAILABLE WITH A STEM

TRACK ADAPTOR FINISH FINI ADAPTATEUR DE RAIL^(A)

WH WHITE
BLK BLACK
M G METALLIC GRAY
^(A)FILL IN IF A TRACK ADAPTOR IS SELECTED, OTHERWISE LEAVE EMPTY

STRUCTURE FINISH FINI STRUCTURE^(B)

CHR CHROME
S C SATIN CHROME
^(B)INCLUDE CANOPY FINISH IF A CANOPY IS SELECTED

DIFFUSER FINISH FINI DIFFUSEUR

CLR CLEAR

PRODUCT CHARACTERISTICS CARACTÉRISTIQUES DU PRODUIT

DESIGN: Spherical glass pendant.
INSTALLATION: Track, canopy or sloped ceiling adaptor.
LIGHT SOURCE: Dimmable MR16 or incandescent light sources available.
STRUCTURE: Die-formed steel canopy with machined fittings. Available in chrome and satin chrome finishes.
DIFFUSER: Clear glass diffuser (4162-NAH) or with ribbed interior diffuser (4163-NAH).
CERTIFIED: c-CSA-us

CONCEPTION: Suspension de verre sphérique.
INSTALLATION: Sur pavillon, système de rails ou adaptateur pour plafond en pente.
SOURCE LUMINEUSE: MR16 ou incandescent à intensité variable offert.
STRUCTURE: Pavillon d'acier embouti et usiné. Offert en fini chromé et chrome satiné.
DIFFUSEUR: Diffuseur en verre clair (4162-NAH) ou avec diffuseur intérieur en verre nervuré givré (4163-NAH).
CERTIFIÉ: c-CSA-us

FAMILY FAMILLE



4424D-NAH