

GALLERY 4163-NAH

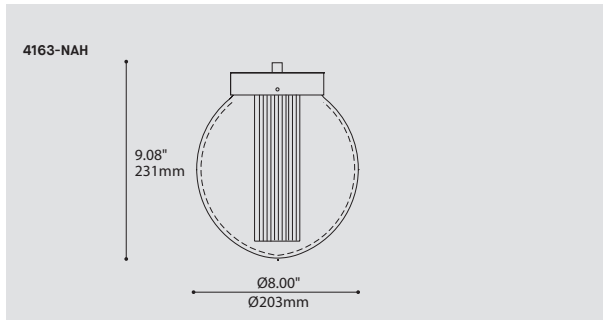
PROJECT PROJÉT
SPEC TYPE
NOTES



OVERALL HEIGHT	HAUTEUR HORS TOUT		
LIGHT SOURCE	HAL TRACK 1 CIRCUIT	INC TRACK 1 CIRCUIT	INC-HAL
MOUNTING	2734	2734B	2401E
CABLE	-	-	70.10"
STEM	46.70"	46.05"	45.70"

MOUNTING OPTIONS	OPTIONS DE MONTAGE		
2734 Ø3.85" x 2.03" Ø98 x 52mm	2734B Ø1.46" x 1.36" Ø37 x 35mm	2401E Ø4.5" x 1" Ø114 x 25mm	
* OVERALL HEIGHT DO NOT INCLUDE TRACK THICKNESS			

STEM OR CABLE OPTIONS	OPTIONS DE TIGE OU CABLE	
STEM STD 36" 914mm	AC CABLE STD 60" 1523mm	



ORDERING SPECIFICATION	SÉPÉCIFICATION DE COMMANDE	CODE
MODEL MODÈLE	4163-NAH GALLERY	4163-NAH
LIGHT SOURCE SOURCE LUMINEUSE	(WATTAGE, LAMP TYPE, LAMP FORM, BASE TYPE, OTHER INFO) BIPIN.50 50W, HAL, BIPIN, GY6.35 BASE	
VOLTAGE VOLTAGE	120V 120 VOLT 277V* 277 VOLT *NOT AVAILABLE WITH A TRACK ADAPTOR	
STEM OR CABLE TIGE OU CABLE	S6 1/4" (6MM) STEM, FIELD ADJUSTABLE AC AIRCRAFT MOUNTING & CLEAR CABLE, FIELD ADJUSTABLE	
STEM OR CABLE LENGTH LONGUEUR DE TIGE OU CABLE	36 36" STEM (STD LENGTH) 60 60" AIRCRAFT CABLE (STD LENGTH) ** CUSTOM STEM LENGTH (PLEASE SPECIFY) ** CUSTOM AIRCRAFT CABLE LENGTH (PLEASE SPECIFY) FOR OVERALL LENGTH PLEASE CONTACT YOUR EUREKA REPRESENTATIVE.	
MOUNTING MONTAGE	RC ROUND CANOPY / PAVILLON ROND 1.00" CANOPY (2401E) TA1 TRACK ADAPTOR / ADAPTATEUR DE RAIL 1 CIRCUIT HAL 120/12V ADAPTOR (2734) INC 120V ADAPTOR (2734B)	
MOUNTING OPTION OPTION DE MONTAGE	SCA* SLOPE CEILING ADAPTOR / ADAPTATEUR DE PLAFOND EN PENTE (ROTATION: 350°, PIVOT: 90°) *ONLY AVAILABLE WITH A STEM	
TRACK ADAPTOR FINISH FINI ADAPTATEUR DE RAIL ^(A)	WH WHITE BLK BLACK MG METALLIC GRAY ^(A) FILL IN IF A TRACK ADAPTOR IS SELECTED, OTHERWISE LEAVE EMPTY	
STRUCTURE FINISH FINI STRUCTURE ^(B)	CHR CHROME SC SATIN CHROME ^(B) INCLUDE CANOPY FINISH IF A CANOPY IS SELECTED	
DIFFUSER FINISH FINI DIFFUSEUR	CLR CLEAR	CLR

PRODUCT CHARACTERISTICS	CARACTÉRISTIQUES DU PRODUIT
DESIGN:	Spherical glass pendant.
INSTALLATION:	Track, canopy or sloped ceiling adaptor.
LIGHT SOURCE:	Dimmable MR16 or incandescent light sources available.
STRUCTURE:	Die-formed steel canopy with machined fittings. Available in chrome and satin chrome finishes.
DIFFUSER:	Clear glass diffuser (4162-NAH) or with ribbed interior diffuser (4163-NAH).
CERTIFIED:	c-CSA-us
CONCEPTION:	Suspension de verre sphérique.
INSTALLATION:	Sur pavillon, système de rails ou adaptateur pour plafond en pente.
SOURCE LUMINEUSE:	MR16 ou incandescent à intensité variable offert.
STRUCTURE:	Pavillon d'acier embouti et usiné. Offert en fini chromé et chrome satiné.
DIFFUSEUR:	Diffuseur en verre clair (4162-NAH) ou avec diffuseur intérieur en verre nervuré givré (4163-NAH).
CERTIFIÉ:	c-CSA-us