

# MIKA 4230-RAQ

|                |
|----------------|
| PROJECT PROJET |
| SPEC TYPE      |
| NOTES          |



## OVERALL HEIGHT HAUTEUR HORS TOUT

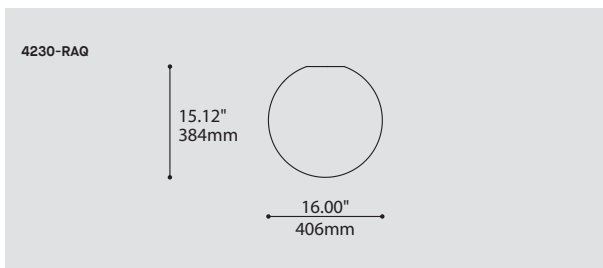
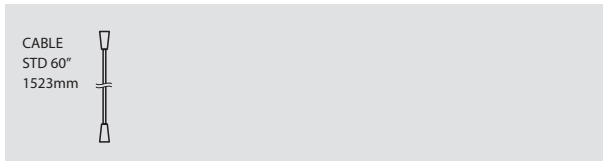
| LIGHT SOURCE | LED TRACK<br>1 CIRCUIT | LED DIM |
|--------------|------------------------|---------|
| MOUNTING     | 2734E                  | 2403G   |
| CABLE        | 77.87"                 | 76.87"  |

## MOUNTING OPTIONS OPTIONS DE MONTAGE



| 2734E                       | 2403G                         |
|-----------------------------|-------------------------------|
| 6.15" x 2.00"<br>156 x 51mm | Ø4.50" x 1.75"<br>Ø114 x 44mm |

\* OVERALL HEIGHT DOES NOT INCLUDE TRACK THICKNESS

## STEM OR CABLE OPTIONS OPTIONS DE TIGE OU CABLE



## ORDERING SPECIFICATION SPÉCIFICATION DE COMMANDE

| MODEL MODÈLE  | CODE     |
|---|----------|
| 4230-RAQ MIKA RAQ (Ø16")  | 4230-RAQ |
| LIGHT SOURCE SOURCE LUMINEUSE   | LED.13   |
| (WATTAGE, LAMP TYPE, OTHER INFO)  |          |
| LED.13 13W, LED   |          |
| COLOR TEMPERATURE TEMPÉRATURE DE COULEUR  |          |
| 30 3000K  |          |
| 35 3500K  |          |
| 40 4000K  |          |
| VOLTAGE VOLTAGE   |          |
| 120V 120 VOLT   |          |
| 277V* 277 VOLT  |          |
| *NOT AVAILABLE WITH A TRACK ADAPTOR   |          |
| DIMMING OPTION OPTION DE GRADATION  |          |
| DV* 0-10V DIMMING (120-277V)  |          |
| DP PHASE DIMMING (120V ONLY)  |          |
| LED DIMMING DRIVER IS STANDARD IN THIS PRODUCT. PLEASE SPECIFY YOUR DIMMING TYPE.   |          |
| *NOT AVAILABLE WITH A TRACK ADAPTOR   |          |
| CABLE CABLE   | C        |
| C CLEAR CABLE, FIELD ADJUSTABLE   |          |
| CABLE LENGTH LONGUEUR DE CABLE  |          |
| 60 60" CABLE (STD LENGTH)   |          |
| ** CUSTOM CABLE LENGTH (PLEASE SPECIFY)   |          |
| FOR OVERALL LENGTH PLEASE CONTACT YOUR EUREKA REPRESENTATIVE.   |          |
| MOUNTING MONTAGE  |          |
| RC  ROUND CANOPY / PAVILLON ROND<br>FOR DIMMING LED: 1.75" CANOPY (2403G)              |          |
| TA1  TRACK ADAPTOR / ADAPTEUR DE RAIL<br>1 CIRCUIT<br>LED DIMMING 120V ADAPTOR (2734E) |          |
| TRACK ADAPTOR FINISH FINI ADAPTEUR DE RAIL (A)  |          |
| BLK BLACK   |          |
| WH WHITE  |          |
| (A) FOR OVERALL LENGTH PLEASE CONTACT YOUR EUREKA REPRESENTATIVE.   |          |
| STRUCTURE FINISH FINI STRUCTURE   | WHE      |
| WHE WHITE FINE TEXTURE  |          |
| DIFFUSER FINISH FINI DIFFUSEUR  | WH       |
| WH WHITE  |          |

## PRODUCT CHARACTERISTICS CARACTÉRISTIQUES DU PRODUIT



**DESIGN:** Classic round globe with a high-tech frosted shade and LED light engine, Mika can be specified as a single pendant or create a bouquet to fill large spaces with a soft and diffused light.

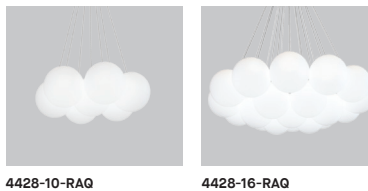
**LIGHT SOURCE:** High performance LED module with dimming options available.

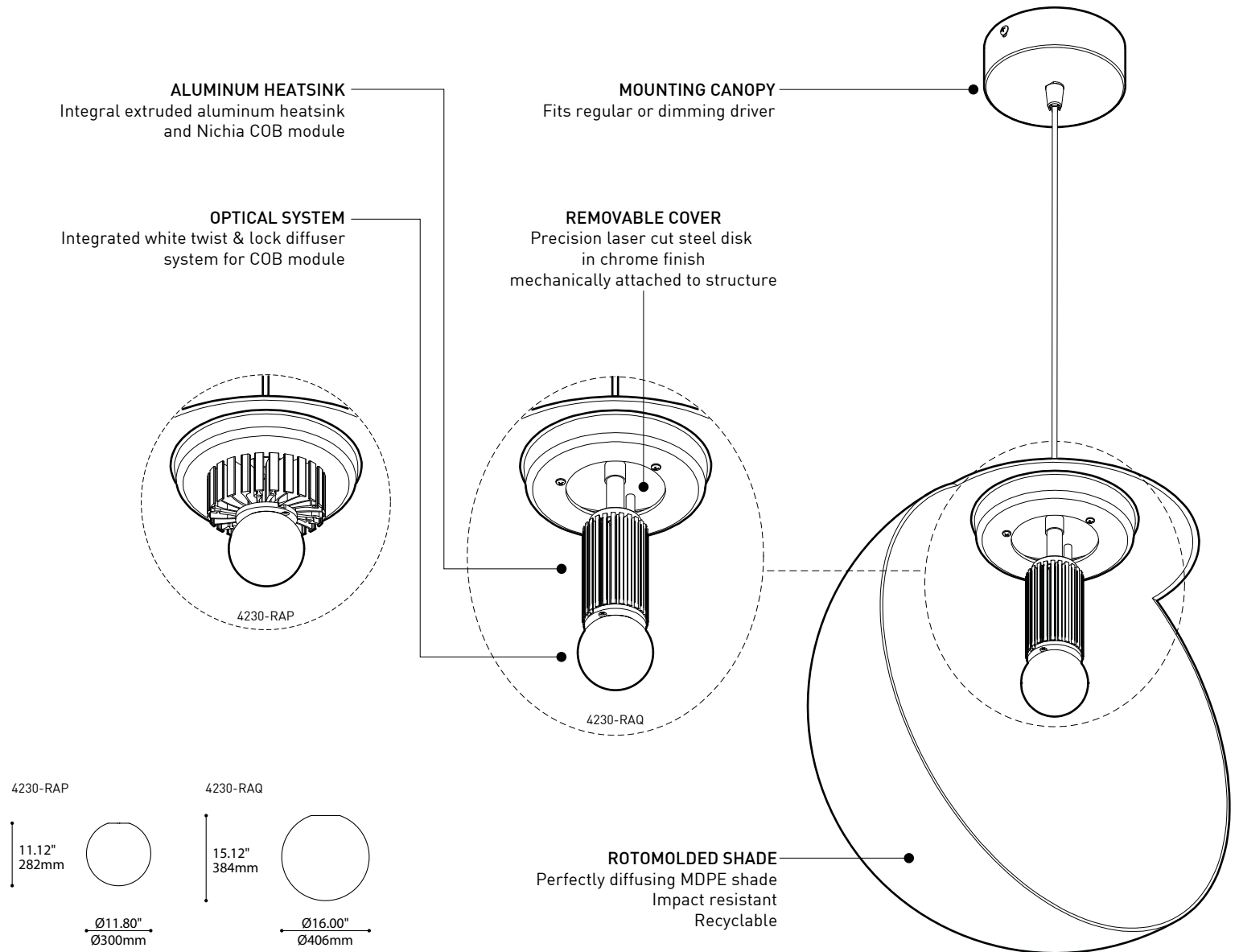
**STRUCTURE:** Die-cast aluminum with black satin anodized finish with a textured white finish top canopy.

**DIFFUSER:** Impact and graffiti resistant, translucent white rotomolded MDPE is the perfect material for this spherical design.

**CERTIFIED:** c-CSA-us

## FAMILY FAMILLE





## SPECIFICATIONS

### 4230-RAP

### 4230-RAQ

|                    |   |                              |
|--------------------|---|------------------------------|
| LIGHT SOURCE       | 1 x Nichia COB - total ± 9w                                       | 1 x Nichia COB - total ± 13w |
| DELIVERED LUMENS   | 836 lm (4000K)  | 1115 lm (4000K)              |
| MODULE             | UL Recognized - custom design                                     |                              |
| CRI                | 80 CRI (typical)  |                              |
| HEAT SINK          | Anodized extruded aluminum  |                              |
| LIGHT DISTRIBUTION | Twist & lock Ultra Wide Beam optical system white finish          |                              |
| DIFFUSER           | Translucent white rotomolded MDPE shade                           |                              |
| STRUCTURE          | Laser cut steel disk in chrome finish with chrome or white canopy |                              |
| VOLTAGE            | 120V or 277V  |                              |
| DIMMING (DP)       | Phase dimming (120V only)   |                              |
| DIMMING (DV)       | 0-10V dimming (120V or 277V)                                      |                              |
| TRACK ADAPTOR      | Available in DP Dimming only                                      |                              |
| WARRANTY           | 5 years   |                              |

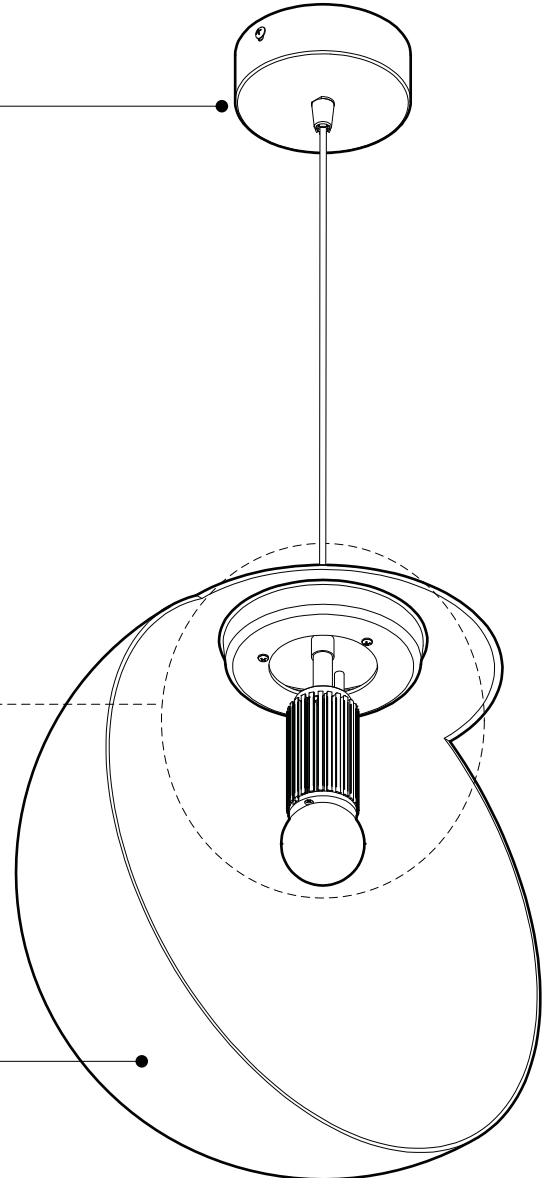
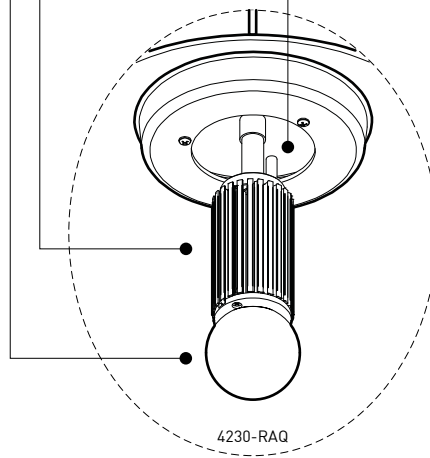
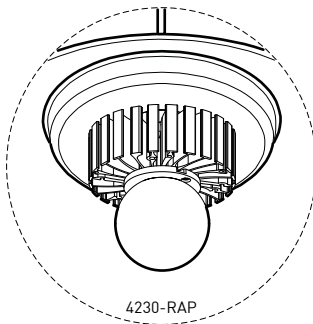
**RADIATEUR**  
Aluminium extrudé et intégré à l'intérieur de la structure avec module COB de Nichia

**SYSTÈME OPTIQUE**  
Système de diffuseur sphérique pour le module COB

**PAVILLON**  
Convient aux pilotes DEL

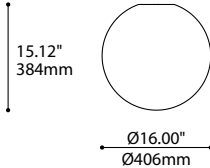
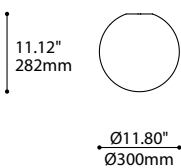
**COUVERCLE DÉCORATIF**  
Disque en acier découpé au laser, fini chromé attaché mécaniquement

**ABAT-JOUR ROTOMOULÉ**  
MDPE avec diffusion parfaite  
Résistant aux impacts  
Recyclable



4230-RAP

4230-RAQ



## SPÉCIFICATIONS

### 4230-RAP

### 4230-RAQ

|                        |   |                                 |
|------------------------|---|---------------------------------|
| SOURCE LUMINEUSE       | 1 x Nichia COB - au total ± 9w  | 1 x Nichia COB - au total ± 13w |
| LUMENS RÉELS           | 836 lm (4000K)  | 1115 lm (4000K)                 |
| MODULE                 | Reconnu par UL - design sur mesure  |                                 |
| IRC                    | 80 IRC (typique)  |                                 |
| RADIATEUR              | Aluminium extrudé & anodisé   |                                 |
| DISTRIBUTION LUMINEUSE | Système optique en blanc à faisceau large                                 |                                 |
| DIFFUSEUR              | Diffuseur de MDPE rotomoulé   |                                 |
| STRUCTURE              | Disque en acier découpé au laser, fini chromé et pavillon chromé ou blanc |                                 |
| VOLTAGE                | 120V ou 277V  |                                 |
| GRADATION (DP)         | Phase gradation (120V seulement)  |                                 |
| GRADATION (DV)         | 0-10V gradation (120V ou 277V)  |                                 |
| ADAPTEUR DE RAIL       | Disponible pour DP gradation seulement                                    |                                 |
| GARANTIE               | 5 ans   |                                 |