

MUTE 4258-16

PROJECT PROJÉT
SPEC TYPE
NOTES

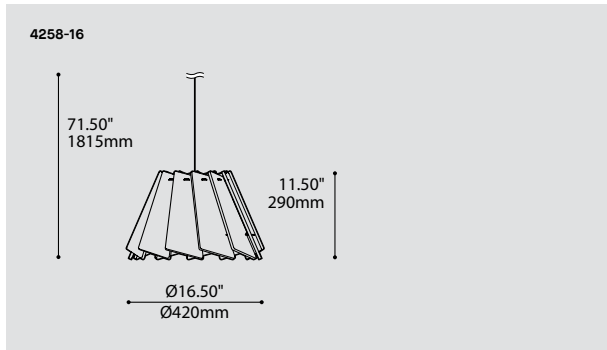
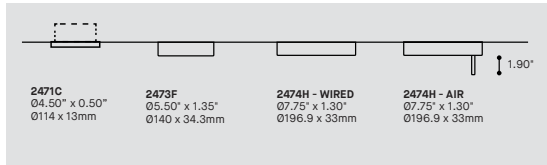


SHADE FINISH FINI ABAT-JOUR



ADDITIONAL PREMIUM COLORS AVAILABLE – SEE ACOUSTIC MATERIAL COLOR OPTIONS PAGE

MOUNTING OPTIONS OPTIONS DE MONTAGE



ORDERING SPECIFICATION SPÉCIFICATION DE COMMANDE

MODEL MODÈLE 4258-16

4258-16 MUTE 16"

LIGHT SOURCE SOURCE LUMINEUSE LED

LED REGULAR OUTPUT

COLOR TEMPERATURE TEMPÉRATURE DE COULEUR

27* 2700K
 30 3000K
 35 3500K
 40 4000K
 * LONGER LEAD TIME MAY APPLY, PLEASE CONTACT YOUR EUREKA REPRESENTATIVE

COLOR RENDERING INDEX (CRI) INDICE DE RENDU DE COULEUR (IRC)

80 80+ CRI
 90* 90+ CRI
 * LONGER LEAD TIME MAY APPLY, PLEASE CONTACT YOUR EUREKA REPRESENTATIVE

VOLTAGE VOLTAGE

120V 120 VOLT
 277V 277 VOLT

CONTROL OPTION OPTION DE CONTRÔLE

DV 0-10V DIMMING (120V-277V)
 DP PHASE DIMMING (120V ONLY)
 NLTAIR2* NLIGHT AIR CONTROL GEN 2
 NLIGHT* NLIGHT WIRED CONTROL
 * REQUIRES RC3 CANOPY.
 REFER TO NLIGHT GUIDE AND INSTALLATION SHEET FOR ALL REQUIREMENTS.
 * EMERGENCY BATTERY NOT AVAILABLE WITH NLIGHT OPTIONS

EMERGENCY BATTERY BATTERIE D'URGENCE

AVAILABLE WITH LED SOURCES 120-277V, EM DRIVER BOX INCLUDED, INSTALLED REMOTELY. SEE EM GUIDE FOR DETAILS.
 EMB* EMERGENCY BATTERY FOR REMOTE BOX
 * 3981EA ACCESSORY IS REQUIRED

CABLE CÂBLE

C CLEAR CABLE, FIELD ADJUSTABLE

CABLE LENGTH LONGUEUR DE CÂBLE

60 60" CABLE (STD LENGTH)
 ** CUSTOM CABLE LENGTH (PLEASE SPECIFY)
 FOR OVERALL LENGTH, PLEASE CONTACT YOUR EUREKA REPRESENTATIVE

MOUNTING MONTAGE

RC1 ROUND CANOPY / PAVILLON ROND
 RC2* SCREWLESS 1.35" CANOPY (2473F)
 RC3 SCREWLESS 0.5" CANOPY (2471C)
 RC3 NLIGHT SCREWLESS CANOPY 07.75" X 1.30" (2474H)
 * 3983 ACCESSORY PROVIDED FOR 2471C CANOPY

CANOPY FINISH FINI PAVILLON

WHE WHITE FINE TEXTURE
 BLKE BLACK FINE TEXTURE

SHADE FINISH FINI ABAT-JOUR

ABF AZURE BLUE FELT BYF BANANA YELLOW FELT REF RED FELT
 AWF ARCTIC WHITE FELT CHF CHARCOAL FELT SGF SILVER GRAY FELT
 BBF BASIC BLACK FELT NBF NAVY BLUE FELT TGF TITANIUM GRAY FELT
 BOF BLOOD ORANGE FELT OBF OCEAN BLUE FELT ZFF ZINFANDEL FELT
 BTF BATTLESHIP GRAY FELT PGF PEAR GREEN FELT
 PREMIUM* PLEASE SPECIFY PREMIUM COLOR CODE – SEE ACOUSTIC MATERIAL COLOR OPTIONS PAGE
 * LONGER LEAD TIME MAY APPLY, PLEASE CONTACT YOUR EUREKA REPRESENTATIVE

ACRYLIC FINISH FINI ACRYLIQUE

WH WHITE

ACCESSORY ACCESSOIRE

3938* DEEP JUNCTION BOX (PROVIDED FOR 2471C CANOPY)
 * JUNCTION BOX IS AVAILABLE FOR ADVANCE SHIPPING

EMERGENCY BATTERY ACCESSORY ACCESSOIRE BATTERIE D'URGENCE

3981EA ELECTRICAL BOX FOR EMB EMERGENCY BATTERY

PRODUCT CHARACTERISTICS CARACTÉRISTIQUES DU PRODUIT



MUTE 4258-16

QUICKSHIP

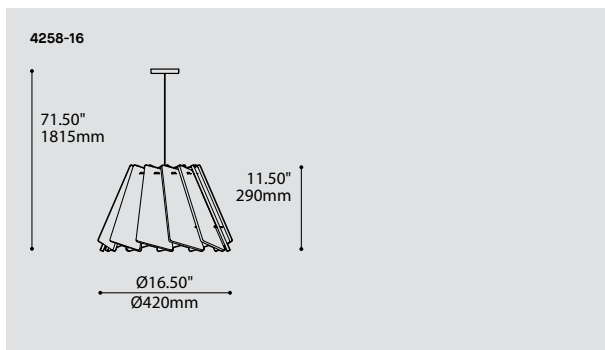
PROJECT PROJET

SPEC TYPE

NOTES



FELT FINISH FINI FEUTRE



ORDERING SPECIFICATION SPÉCIFICATION DE COMMANDE

CODE

QUICKSHIP

QS5 QUICKSHIP 5 DAYS - MAXIMUM 5 UNITS QUICKSHIP 5 JOURS - MAXIMUM 5 UNITÉS
 QS10 QUICKSHIP 10 DAYS - MAXIMUM 20 UNITS QUICKSHIP 10 JOURS - MAXIMUM 20 UNITÉS

MODEL MODÈLE

4258-16 MUTE 16"

4258-16

LIGHT SOURCE SOURCE LUMINEUSE

LED REGULAR OUTPUT

LED

COLOR TEMPERATURE TEMPÉRATURE DE COULEUR

30 3000K
 35 3500K

COLOR RENDERING INDEX (CRI) INDICE DE RENDU DE COULEUR (IRC)

80 80+ CRI

80

VOLTAGE VOLTAGE

120V 120 VOLT
 277V 277 VOLT

CONTROL OPTION OPTION DE CONTRÔLE

DV 0-10V DIMMING (120V-277V)
 DP PHASE DIMMING (120V ONLY)
 LED DIMMING DRIVER IS STANDARD IN THIS PRODUCT. PLEASE SPECIFY YOUR DIMMING TYPE

CABLE CÂBLE

C CLEAR CABLE, FIELD ADJUSTABLE

C

MOUNTING MONTAGE

RC2* ROUND CANOPY/PAVILLON ROND
 SCREWLESS 0.5" CANOPY (2471C)
 *3983 ACCESSORY PROVIDED FOR 2471C CANOPY

RC2

CABLE LENGTH LONGUEUR DE CÂBLE

60 60" CABLE (STD LENGTH)
 ** CUSTOM CABLE LENGTH (PLEASE SPECIFY)
 FOR OVERALL LENGTH, PLEASE CONTACT YOUR EUREKA REPRESENTATIVE

CANOPY FINISH FINI PAVILLON

BLKE BLACK FINE TEXTURE
 WHE WHITE FINE TEXTURE

SHADE FINISH FINI ABAT-JOUR

ABF AZURE BLUE FELT	BYF BANANA YELLOW FELT	REF RED FELT
AWF ARCTIC WHITE FELT	CHF CHARCOAL FELT	SGF SILVER GRAY FELT
BBF BASIC BLACK FELT	NBF NAVY BLUE FELT	TGF TITANIUM GRAY FELT
BOF BLOOD ORANGE FELT	OBF OCEAN BLUE FELT	ZFF ZINFANDEL FELT
BTF BATTLESHIP GRAY FELT	PGF PEAR GREEN FELT	

ACRYLIC FINISH FINI ACRYLIQUE

WH WHITE FINE TEXTURE

WH

ACCESSORY ACCESSOIRE

3983* DEEP JUNCTION BOX (PROVIDED FOR 2471C CANOPY)
 *JUNCTION BOX IS AVAILABLE FOR ADVANCE SHIPPING

PRODUCT CHARACTERISTICS CARACTÉRISTIQUES DU PRODUIT



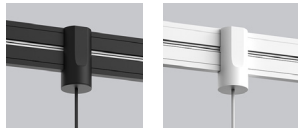
- DESIGN:** Now offered in two formats, this soft, colorful and sound absorbing large format downlight pendant is composed of twelve felt-like acoustic panels surrounding a custom LED light source distributing a uniform and direct light.
- INSTALLATION:** Easy to install, adjust single power cable mounting with clip-on acoustic panels.
- LIGHT SOURCE:** Mute features a custom LED light engine supplied with a standard dimming driver (0-10V or phase).
- STRUCTURE:** Precision cut chrome top cover plate and white or black canopy.
- SHADE:** The custom CNC cut panels are made from recycled PET bottles and are recyclable. Available in charcoal.
- CERTIFIED:** c-CSA-us

MUTE 4258-16 FOR ARENA 82X0

PROJECT PROJÉT
SPEC TYPE
NOTES



ADAPTER FINISH FINI DE L'ADAPTATEUR



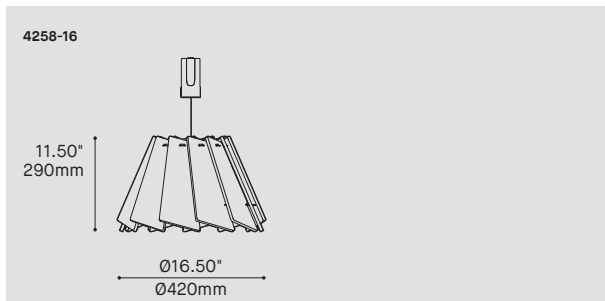
BLKE

WHE

SHADE FINISH FINI ABAT-JOUR



ADDITIONAL PREMIUM COLORS AVAILABLE - SEE ACOUSTIC MATERIAL COLOR OPTIONS PAGE



ORDERING SPECIFICATION	SPÉCIFICATION DE COMMANDE	CODE
MODEL MODÈLE	4258-16 MUTE 16"	4258-16
LIGHT SOURCE SOURCE LUMINEUSE	LEDA SPECIAL OUTPUT FOR ARENA, 11W * TOTAL DC LOAD OF INSTALLED LIGHT SOURCES MUST NOT EXCEED 90W OR 180W DEPENDING ON THE SELECTED OPTION	LEDA
COLOR TEMPERATURE TEMPÉRATURE DE COULEUR	27* 2700K 30 3000K 35 3500K 40 4000K *LONGER LEAD TIME MAY APPLY, PLEASE CONTACT YOUR EUREKA REPRESENTATIVE	
COLOR RENDERING INDEX INDICE DE RENDU DE COULEUR (IRC)	80 80+ CRI 90* 90+ CRI *LONGER LEAD TIME MAY APPLY, PLEASE CONTACT YOUR EUREKA REPRESENTATIVE	
CABLE LENGTH LONGUEUR DE CÂBLE	24 24" CABLE (STD LENGTH) ** CUSTOM CABLE LENGTH (PLEASE SPECIFY)	
MOUNTING MONTAGE	TAA ARENA ADAPTOR FOR ARENA SQUARE & RECTANGLE 8220 & ARENA STRAIGHT 8210 TAB ARENA ADAPTOR FOR ARENA RING 8200	
ADAPTER FINISH FINI ADAPTATEUR	BLKE BLACK FINE TEXTURED WHE WHITE FINE TEXTURED	
POWER CORD FINISH FINI ADAPTATEUR	BLK BLACK POWER CORD WH WHITE POWER CORD	
SHADE FINISH FINI ABAT-JOUR	ABF AZURE BLUE FELT BYF BANANA YELLOW FELT REF RED FELT AWF ARCTIC WHITE FELT CHF CHARCOAL FELT SGF SILVER GRAY FELT BBF BASIC BLACK FELT NBF NAVY BLUE FELT TGF TITANIUM GRAY FELT BOF BLOOD ORANGE FELT OBF OCEAN BLUE FELT ZFF ZINFANDEL FELT BTF BATTLESHIP GRAY FELT PGF PEAR GREEN FELT PREMIUM* PLEASE SPECIFY PREMIUM COLOR CODE - SEE ACOUSTIC MATERIAL COLOR OPTIONS PAGE *LONGER LEAD TIME MAY APPLY, PLEASE CONTACT YOUR EUREKA REPRESENTATIVE	
DIFFUSER FINISH FINI DIFFUSEUR	WH WHITE	WH

PRODUCT CHARACTERISTICS CARACTÉRISTIQUES DU PRODUIT



DESIGN: Mute is a soft, colorful and sound absorbing downlight pendant composed of twelve felt acoustic panels surrounding a custom LED light source. Precision cut chrome top cover plate. The custom CNC cut felt panels are made from recycled PET bottles and are recyclable. Available in 30 colors.

INSTALLATION: Magnetically positioned anywhere on the ARENA for easy on-site installation or reconfiguration of the lighting environment. The adapter has a hook for extra safety. Clip-on acoustic panels.

LIGHT SOURCE: Custom LED light source distributing a uniform and direct light.

ADAPTER: Custom designed aluminum base offered in white or black architectural grade finish.

CERTIFIED: c-CSA-us

CONCEPTION: Ce luminaire chaleureux et coloré est composé de douze panneaux acoustiques feutrés encerclant une source DEL. Plaque chromée découpée avec précision

INSTALLATION: Positionné magnétiquement n'importe où sur l'ARENA pour faciliter l'installation ou la reconfiguration de l'éclairage sur site. L'adaptateur est muni d'un crochet pour une double sécurité. Panneaux acoustiques se fixant rapidement et sans outils autour du noyau central.

SOURCE LUMINEUSE: Mute est composée d'un module lumineux DEL fait sur mesure.

ADAPTATEUR: Base en aluminium conçu sur mesure offert avec une finition noire ou blanche de grade architectural.

CERTIFIÉ: c-CSA-us

Acoustic Material Color Options for Mute



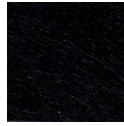
Standard colors



ABF
Azure Blue



AWF
Arctic White



BBF
Basic Black



BOF
Blood Orange



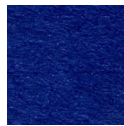
BTF
Battleship Gray



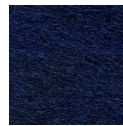
BYF
Banana Yellow



CHF
Charcoal



NBF
Navy Blue



OBF
Ocean Blue



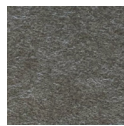
PGF
Pear Green



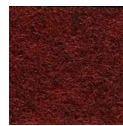
REF
Red



SGF
Silver Gray



TGF
Titanium Gray



ZFF
Zinfandel

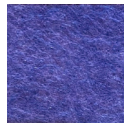
Premium colors



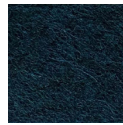
BGF
Bubble Gum



BKF
Bark Brown



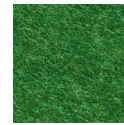
DBF
Denim Blue



DTF
Deep Teal Green



DYF
Daisy Yellow



GGF
Grass Green



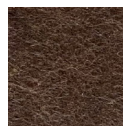
LBF
Light Beige



LGF
Lime Green



MGF
Moss Green



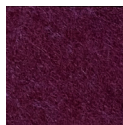
OAF
Oak Brown



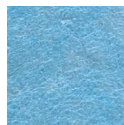
PBF
Peanut Brown



PNF
Pinot Noir



PPF
Plum Purple



SBF
Sky Blue



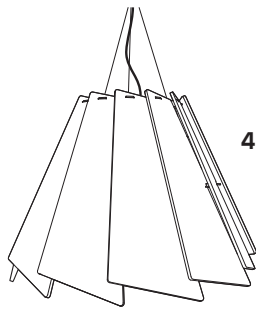
TOF
Tangerine Orange



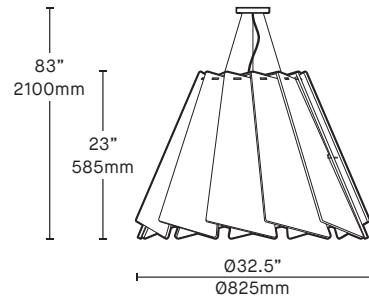
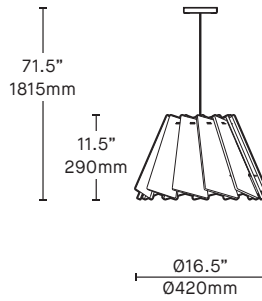
TPF
Tulip Purple

- Premium colors carry extended lead times. Additional fees may apply for expedited lead times. Please consult factory.
- Due to the dye process, colors may vary slightly from batch to batch.

MUTE 4258-XX



4258-32



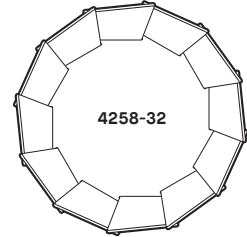
NOISE REDUCTION
The Mute is composed of 12 sound absorbing panels surrounding a custom design light engine.

CANOPY OPTIONS

- 2473F Standard Canopy** Ø5.50" x 1.35"
Mounting on a standard 4" J-Box
- 2471C Low Profile Canopy** Ø4.50" x 0.50"
Mounting on Eureka box 3983
Recessed driver for discreet installation.



4258-16



4258-32

SUSPENSION

1 single suspension cable on the smaller version, 3 easy-to-adjust aircraft cables on the larger version for extra support and stability

BOTTOM LENS

Frosted acrylic lens for superior light transmission. Easy installation & locks with acoustic panels

HIGH PERFORMANCE LED BOARD

Custom made LED module

COLORS

Available in 14 standard colors and 16 Premium colors, For all color options, refer to the Acoustic Material Color Options page.

RECYCLED PANELS

Custom CNC cut polyester panels made from recycled bottles (PET). Panels are recyclable

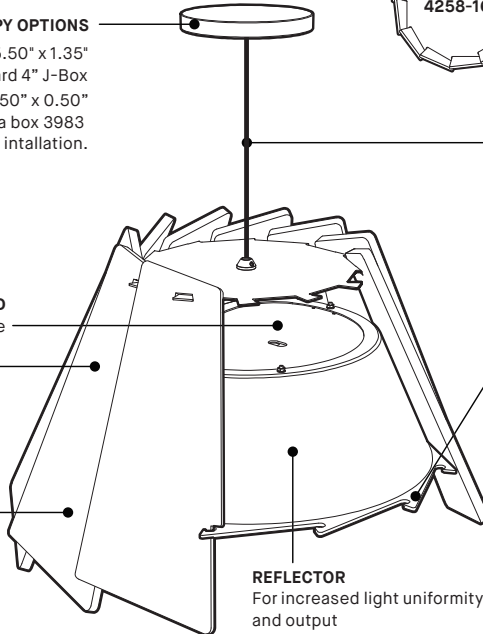


REFLECTOR

For increased light uniformity and output

CLEANING

A proper and regular cleaning will help extend the lifespan of acoustic products. Remove dust with a vacuum cleaner and light stains with a damp cloth. For greasy and deep stains, a professional dry clean is recommended. Do not use any abrasive, soap, or chemical cleaner.



4258-16



PRODUCT SPECIFICATION

4258-16

4258-32

PERFORMANCE

SYSTEM WATTAGE	17.3W	28.5W
DELIVERED LUMENS (4000K)	1379 LM	1799LM
EFFICACY	79.7LM/W	63.12LM/W

OTHER INFORMATIONS

LUMINAIRE'S WEIGHT	5.83 LBS / 2.65 KG	11.77 LBS / 5.35 KG
L70 (LUMEN MAINTENANCE)	60 000 HRS	60 000 HRS
FELT ACOUSTIC	HIGH DENSITY 9MM POLYESTER FELT	
FIRE RATING	ACOUSTIC MATERIAL RATED AT 0.75 N	
	ASTM E84-13 (FELT MATERIAL ONLY)	

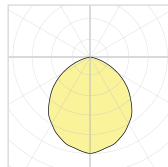
WELL & LEED STANDARD REQUIREMENTS

MAX. LUMINANCE 45°-90° OF NADIR	1453 CD/M ²	489 CD/M ²
LIGHT QUALITY	R9 > 50 (90 CRI OPTION)	
FLICKERING TOLERANCE	LOW FLICKER, COMPLIANT TO CALIFORNIA TITLE 24	

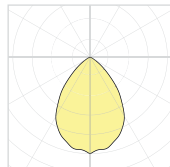
EFFICACY MULTIPLIERS

CRI	CCT	FACTOR
80+	4000K	1.00
80+	3500K	0.98
80+	3000K	0.94
80+	2700K	0.91
90+	4000K	0.88
90+	3500K	0.85
90+	3000K	0.81
90+	2700K	0.77

LIGHT DISTRIBUTION



4258-16



4258-32

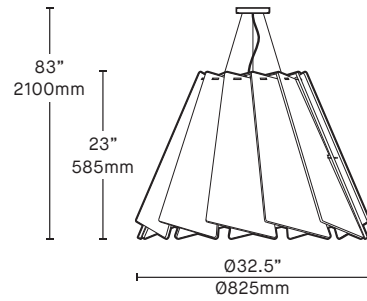
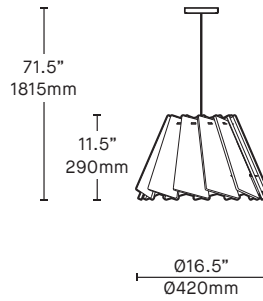
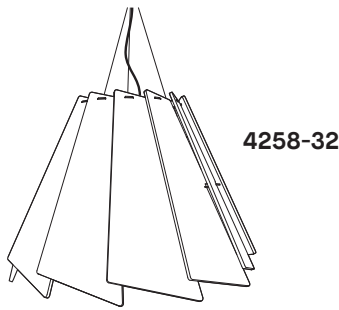


Visit our website for warranty terms and conditions.



TECHNICAL DATA

MUTE 4258-XX



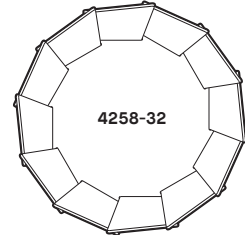
ATTÉNUATION DU BRUIT

Le Mute est composé de 12 panneaux acoustiques encerclant une source lumineuse DEL faite sur mesure.

OPTIONS DE PAVILLON

2473F Pavillon standard. Ø5.50" x 1.35"
Installation sur une boîte de jonction standard. 4"

2471C Pavillon mince et discret Ø4.50" x 0.50"
Installation sur une boîte de jonction profonde fournie.



SUSPENSION

1 seul câble de suspension sur la petite version, 3 câbles d'acier facile à ajuster pour un support et une stabilité additionnelle sur la grande version

LENTILLE

Lentille d'acrylique givré, transmission optique supérieure. Installation facile en bloquant les panneaux acoustiques

MODULE DEL HAUTE PERFORMANCE

Disque DEL de 24W conçu sur mesure

COULEURS

Disponible en 14 couleurs standards et 16 couleurs Premium. Pour la charte de couleurs consultez la fiche d'options de couleurs

PANNEAUX RECYCLÉS

Panneaux de polyester faits de bouteilles de plastique recyclées (PET) Les panneaux sont recyclables



RÉFLECTEUR

Augmente l'uniformité et le flux lumineux

NETTOYAGE

Un nettoyage approprié et régulier contribuera à prolonger la durée de vie des produits acoustiques. Enlever la poussière avec un aspirateur et les taches légères avec un linge humide. Pour les taches importantes ou grasses, un nettoyage à sec est recommandé. Ne pas utiliser de produits abrasifs, de savon ou de produits nettoyants chimiques.



SPÉCIFICATION PRODUIT

4258-16

4258-32

PERFORMANCE

PUISSANCE TOTALE	17.3W	28.5W
LUMENS RÉELS (4000K)	1379 LM	1799LM
EFFICACITÉ	79.7LM/W	63.12LM/W

AUTRES INFORMATIONS

POIDS DU LUMINAIRE	5.83 LBS / 2.65 KG	11.77 LBS / 5.35 KG
L70 (MAINTENANCE DE LA LUMIÈRE)	60 000 H	60 000 H
FEUTRE ACOUSTIQUE	FEUTRE DE POLYESTER HAUTE DENSITÉ 9MM	
RÉSISTANCE AU FEU	MATÉRIEL ACOUSTIQUE GRADÉ À 0.75 N	
	ASTM E84-13 (MATÉRIEL FEUTRE SEULEMENT)	

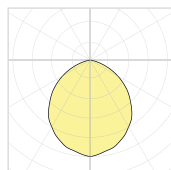
CRITÈRES DE CERTIFICATION WELL & LEED

MAX. LUMINANCE 45°-90° NADIR	1453 CD/M ²	489 CD/M ²
QUALITÉ DE LA LUMIÈRE	R9 > 50 (OPTION 90 IRC)	
TOLÉRANCE DE CLIGNEMENTS	PEU DE CLIGNOTEMENT (CONFORME À CALIFORNIA TITLE 24)	

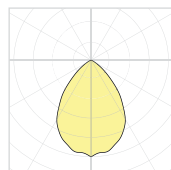
FACTEUR D'EFFICACITÉ

IRC	CCT	FACTEUR
80+	4000K	1.00
80+	3500K	0.98
80+	3000K	0.94
80+	2700K	0.91
90+	4000K	0.88
90+	3500K	0.85
90+	3000K	0.81
90+	2700K	0.77

DISTRIBUTION LUMINEUSE



4258-16



4258-32



Visitez notre site Web pour les termes et conditions.



DONNÉES TECHNIQUES

JUNCTION BOX 3981E

PROJECT PROJÉT
SPEC TYPE
NOTES



ORDERING SPECIFICATION SPÉCIFICATION DE COMMANDE

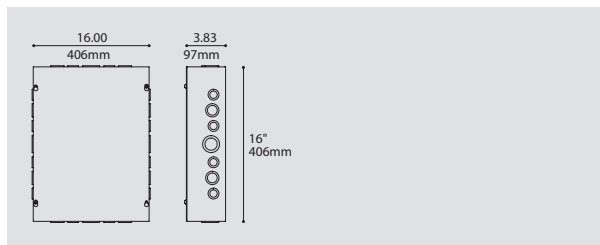
CODE

MODEL MODÈLE

3981EA	APPROX. 10W MAX EMERGENCY BACKUP POWER
3981EB	APPROX. 5W MAX EMERGENCY BACKUP POWER

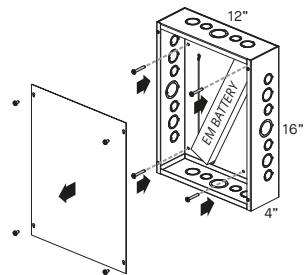
PRODUCT CHARACTERISTICS CARACTÉRISTIQUES DU PRODUIT

DESIGN:	Remote junction box and cover with an emergency backup driver. Features matching wires and labelling to simplify installation. Is required to complete luminaires ordered with EMB remote emergency box option (selected models, refer to specification sheets. Other models possible upon request). Available in several power outputs, selected according to the luminaire power.
STRUCTURE:	Die-stamped 16 gauge grey painted steel. Knockouts on all 4 sides from 1/2" to 1-1/4".
CERTIFIED:	c-CSA-us, UL, RoHS, NEMA Type 1, FCC
CONCEPTION:	Boîte de jonction à distance avec couvercle avec batterie d'urgence intégré. Contient des fils avec couleurs et étiquetage pour simplifier l'installation. Requis pour compléter un luminaire commandée avec l'option EMB (voir pages de spécification pour produits avec l'option EMB. Autres produits possibles sur demande). Disponible en plusieurs puissances, sélectionnées en fonction du luminaire.
STRUCTURE:	Acier plié de 16 jauge peinturé gris avec coins soudés. Débouchures sur 4 côtés 1/2" à 1-1/4".
CERTIFIÉ:	c-CSA-us, UL, RoHS, NEMA Type 1, FCC



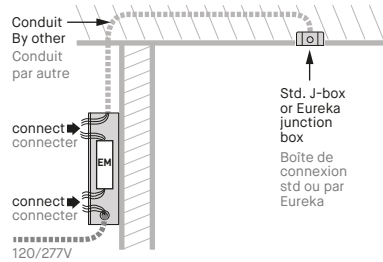
INSTALLATION SUMMARY SOMMAIRE D'INSTALLATION

STEP 1 ÉTAPE 1



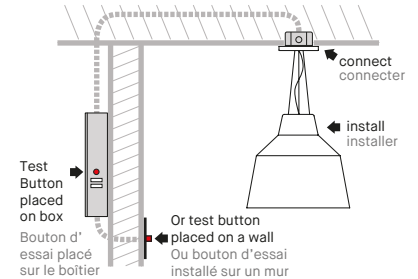
Remove cover and fasten box remotely to a wall or a ceiling.
Enlever le couvercle et fixer la boîte à distance sur un mur ou un plafond.

STEP 2 ÉTAPE 2



Run conduit from box to junction box of luminaire. Conduit must have a minimum of 5 wires with wire gauge and maximum distance as per EM driver distance chart. Connect EM driver to conduit wires and ac branch circuit. Faites passer le conduit de la boîte EM à la boîte de connexion du luminaire. Consulter le tableau de "distance maximale" disponible dans la feuille d'installation. Branchez la batterie EM avec les fils du conduit ainsi que la ligne 120V ou 277V.

STEP 3 ÉTAPE 3



Install luminaire & connect its wires to conduit. Install test button on wall or box (wall plate not supplied). Installer le luminaire & connecter les fils au conduit. Installer le bouton d'essai sur le mur ou boîtier (plaque murale non fournie).

REFER ALSO TO INSTALLATION DRAWING AND EM GUIDE FOR MORE INFORMATION.
CONSULTEZ LE DESSIN D'INSTALLATION ET LE GUIDE EM POUR PLUS D'INFORMATIONS.



SPECIFICATION

3981E REMOTE EMERGENCY BOX KIT - IOTA EM DRIVER

SAFETY GUIDELINES :

- > Follow safety instructions and guidelines of EM battery/driver manufacturer for the specific model.
- > Install by qualified personnel in accordance with the National Electrical Code and local regulations.
- > Turn off power supply before installation or servicing the fixture.

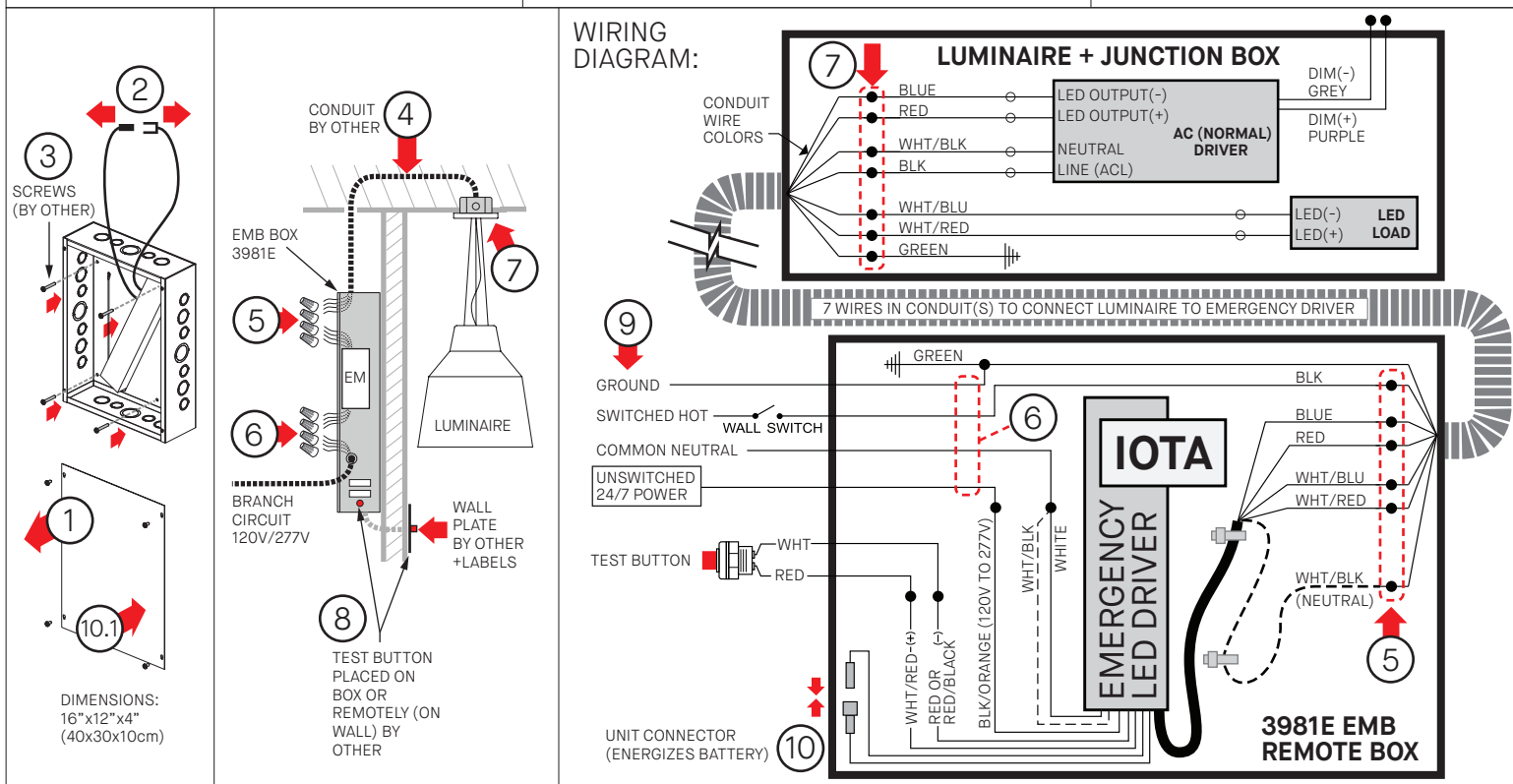
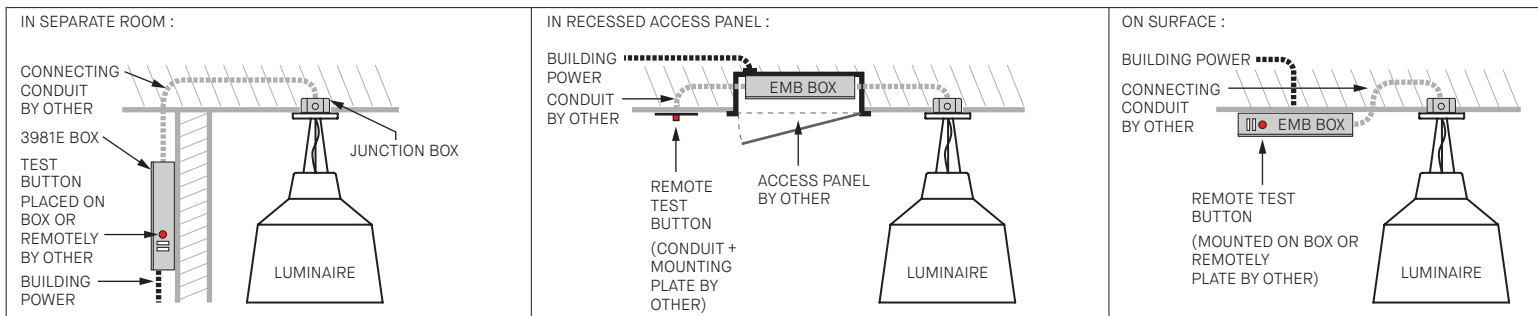
EMB LOCATION :

- > The 3981E box connects to a luminaire ordered with an EMB option (which has specific EM WIRING).
- > Consult our chart for maximum remote distance of EM battery to luminaire leds.
- > Establish desired location for EMB box & EM test button on box or on a wall.

EM Remote Distance Chart
Maximum distance EM battery to Luminaire LEDs (Ft)

MAX EM BOX DISTANCE (Ft)	CONDUIT WIRE GAUGE (AWG)							
	10	12	14	16	18	20	22	
LUMINAIRE	200mA	1043'	651'	413'	259'	163'	103'	65'
DRIVER	350mA	596'	372'	236'	148'	93'	59'	37'
OUTPUT	500mA	417'	261'	165'	104'	65'	41'	26'
CURRENT*	700mA	298'	186'	118'	74'	47'	29'	18'
(Amps)	1000mA	209'	130'	83'	52'	33'	21'	13'
*Contact Eureka	1400mA	149'	93'	59'	37'	23'	15'	9'
	2000mA	104'	65'	41'	26'	16'	10'	6'
	3000mA	70'	43'	28'	17'	11'	7'	4'

EMB PLACEMENT EXAMPLES :



INSTALLATION

- 1 - REMOVE BOX COVER.
- 2 - IF CONNECTED, DISCONNECT THE EM BATTERY 'UNIT CONNECTOR' (WHITE).
- 3 - SCREW BOX TO MOUNTING SURFACE (SCREWS NOT SUPPLIED)
- 4 - RUN CONDUIT FROM EMB BOX TO ELECTRICAL JUNCTION BOX OF LUMINAIRE. CONDUIT MUST HAVE MIN. 7 WIRES AND WIRE GAUGE AS PER DISTANCE CHART.
- 5 - CONNECT CONDUIT WIRES TO EM BATTERY AS PER WIRING DIAGRAM.
CAREFULLY NOTE WHICH WIRE COLORS ARE CONNECTED TOGETHER ON EACH END.
- 6 - CONNECT BATTERY TO AC BRANCH CIRCUIT : GROUND, NEUTRAL, 24/7 UNSWITCHED LINE (HOT) AND SWITCHED LINE (ON SAME CIRCUIT AS LUMINAIRE ON/OFF CONTROL).
- 7 - INSTALL SPECIFIC EM LUMINAIRE, CONNECT WIRES TO CONDUIT USING THE SAME CORRESPONDING COLORS NOTED AT THE EM BATTERY-CONDUIT CONNECTION.
- 8 - INSTALL EM BATTERY TEST BUTTON IN DESIRED LOCATION. WALL PLATE BY OTHER. ADD LABELS "PUSH TO TEST" & CHARGING INDICATOR LIGHT".

- 9 - SWITCH ON AC POWER.
- 10 - JOIN THE EM BATTERY CONVERTOR CONNECTOR. 10.1 - INSTALL BOX COVER.
- 11 - IF EMB IS FAR FROM THE LUMINAIRE, IDENTIFY TO WHICH LUMINAIRE IT IS CONNECTED.

AT THIS POINT POWER SHOULD BE CONNECTED TO BOTH THE AC DRIVER AND THE EMERGENCY DRIVER & TEST/CHARGE LIGHT SHOULD ILLUMINATE, INDICATING BATTERY IS CHARGING.

TESTING & EM DRIVER/BATTERY MAINTENANCE:

CONDUCT A SHORT-TERM DISCHARGE TEST AFTER THE EMERGENCY DRIVER HAS BEEN CHARGED FOR MINIMUM ONE HOUR. CHARGE FOR 24 HOURS BEFORE CONDUCTING A LONG-TERM DISCHARGE TEST.

FOLLOW GUIDELINES FROM THE EM DRIVER/BATTERY MANUFACTURER INSTRUCTIONS FOR THE REQUIRED PERIODIC TESTING AND MAINTENANCE GUIDELINES.

3981E BOÎTE D'URGENCE À DISTANCE - DRIVER EM IOTA

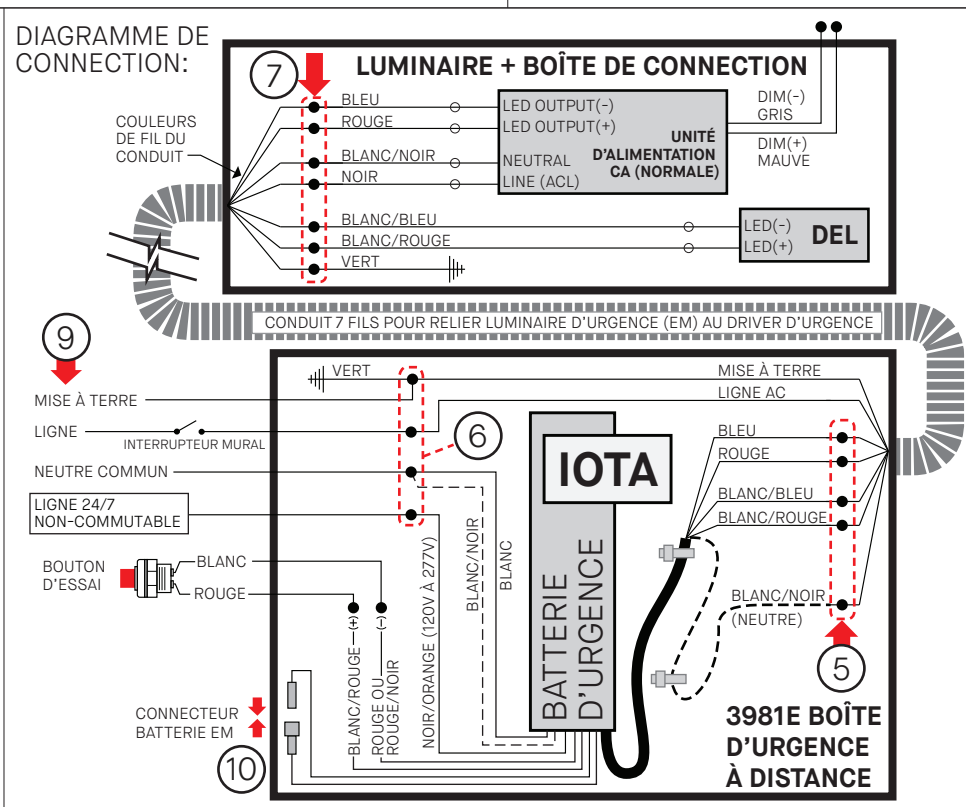
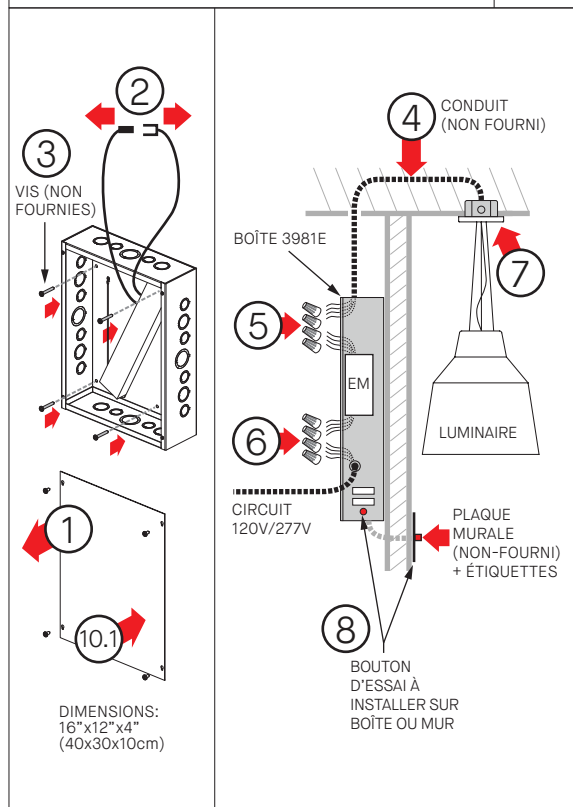
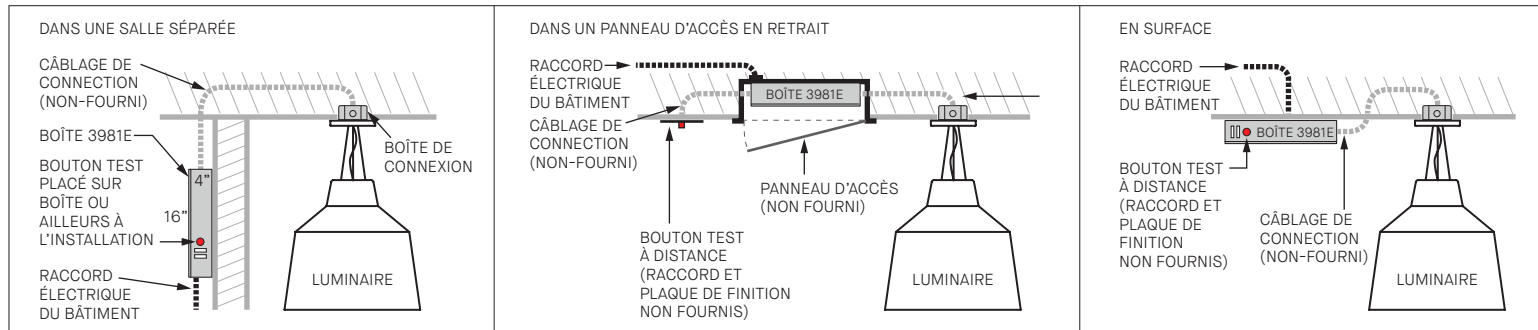
DIRECTIVES DE SÉCURITÉ:

- > Suivre les consignes de sécurité et les directives d'installation du fabricant de la batterie d'urgence.
- > Installer par du personnel qualifié conformément au code électrique national et local.
- > Fermer l'alimentation avant l'installation ou l'entretien.

EMPLACEMENT :

- > Cette boîte 3981E se connecte à un luminaire commandé avec l'option EMB (qui a du filage spécifique).
- > Consulter le tableau pour la distance maximale de la batterie d'urgence aux DELs du luminaire.
- > Déterminer l'emplacement souhaité pour la boîte EMB et le bouton de test d'urgence.

EXEMPLES D'EMPLACEMENT:



Charte de distance d'installation EM

Distance maximale entre Batterie d'urgence et DELs du luminaire (Pi)

DISTANCE MAX D'INSTALLATION (Pi)	GAUGE DE FILS DU CONDUIT (AWG)							
	10	12	14	16	18	20	22	
COURANT	200mA	1043'	651'	413'	259'	163'	103'	65'
ALIMENTATION DU LUMINAIRE*	350mA	596'	372'	236'	148'	93'	59'	37'
700mA	417'	261'	165'	104'	65'	41'	26'	
1000mA	298'	186'	118'	74'	47'	29'	18'	
*Contacter Eureka	1400mA	209'	130'	83'	52'	33'	21'	13'
2000mA	149'	93'	59'	37'	23'	15'	9'	
3000mA	104'	65'	41'	26'	16'	10'	6'	
		70'	43'	28'	17'	11'	7'	4'

INSTALLATION

- 1 - DÉVISSER LE COUVERCLE.
- 2 - DÉCONNECTER LE CONNECTEUR BLANC DE BATTERIE EM (UNIT CONNECTOR).
- 3 - FIXER LA BOÎTE SUR LE MUR/PALAFOND AVEC VIS (NON FOURNIES)
- 4 - PASSER DU CONDUIT DU EMB VERS LA BOÎTE DE CONNEXION ÉLECTRIQUE DE LUMINAIRE. LE CONDUIT DOIT AVOIR 7 FILS AVEC GAUGE DE FIL SELON CHARTRE DE DISTANCE.
- 5 - CONNECTER LES FILS DE CONDUIT À LA BATTERIE EM SELON LE SCHÉMA DE CÂBLAGE.
- 6 - CONNECTER LA BATTERIE AU CIRCUIT DE DÉRIVATION AC (FILS: MISE A LA TERRE, NEUTRE, LIGNE & LIGNE SANS INTERRUPTEUR 24H/7* (*DOIT ÊTRE LE MEME CIRCUIT QUE LE CONTROLE DU LUMINAIRE)).
- 7 - INSTALLER LUMINAIRE SPÉCIFIQUE EM, CONNECTER LES FILS AU CONDUIT AVEC MÊMES COULEURS CORRESPONDANTES DE LA BATTERIE EM AUX FILS DE CONDUIT.
- 8 - INSTALLEZ LE BOITON D'ESSAI DE BATTERIE EM DANS L'ENDROIT SOUHAITÉ (PLAQUE MURALE PAR AUTRE). COLLER ÉTIQUETTES "PUSH TO TEST" & CHARGING INDICATOR LIGHT".

- 9 - ALIMENTER LE CIRCUIT AC.
- 10 - JOINDRE CONNECTEUR BLANC DE BATTERIE EM. 10.1 - INSTALLER COUVERCLE DE BOITE.
- 11 - SI LE EMB EST LOIN DU LUMINAIRE, IDENTIFIER À QUEL LUMINAIRE IL EST CONNECTÉ.

A CE STADE, L'ALIMENTATION DEVRAIT ÊTRE CONNECTÉE À L'UNITÉ D'ALIMENTATION AC ET LA BATTERIE D'URGENCE ET LA LUMIÈRE DE TEST/CHARGE S'ILLUMINE, INDIQUANT QUE LA BATTERIE SE CHARGE.

ESSAIS & ENTRETIEN DE LA BATTERIE:

FAITES UN TEST DE DÉCHARGE À COURT TERME APRÈS AVOIR CHARGÉ LA BATTERIE D'URGENCE AU MINIMUM UNE HEURE. CHARGEZ 24 HEURES AVANT D'EFFECTUER UN TEST DE DÉCHARGE À LONG TERME.

SUIVRE LES DIRECTIVES DU FABRICANT DE BATTERIE / CONDUCTEUR EM (SITE WEB) POUR LES DIRECTIVES PÉRIODIQUES REQUISES EN MATIÈRE DE TEST ET D'ENTRETIEN.