

# FLYNN 4264

PROJECT PROJET
SPEC TYPE
NOTES



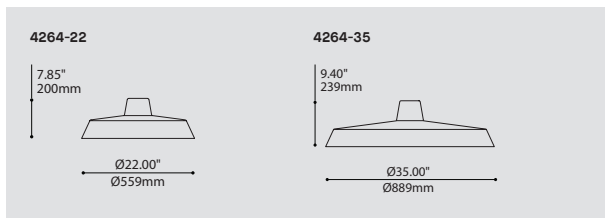
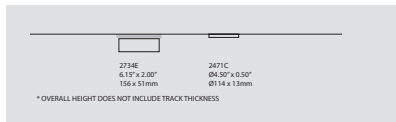
## FINISH FINI



ANTE

WHE

## MOUNTING OPTIONS OPTIONS DE MONTAGE



## ORDERING SPECIFICATION SPÉCIFICATION DE COMMANDE

CODE

### MODEL MODÈLE

4264-22 FLYNN 22"  
4264-35 FLYNN 35"

### LIGHT SOURCE SOURCE LUMINEUSE

4264-22  
LED.20 20W, LED

4264-35  
LED.43 43W, LED

### COLOR TEMPERATURE TEMPÉRATURE DE COULEUR

27\* 2700K  
30 3000K  
35 3500K  
40 4000K

\* LONGER LEAD TIME MAY APPLY, PLEASE CONTACT YOUR EUREKA REPRESENTATIVE

### COLOR RENDERING INDEX (CRI) INDICE DE RENDU DE COULEUR (IRC)

80 80+ CRI  
90\* 90+ CRI

\* LONGER LEAD TIME MAY APPLY, PLEASE CONTACT YOUR EUREKA REPRESENTATIVE

### VOLTAGE VOLTAGE

120V 120 VOLT  
277V 277 VOLT

### DIMMING OPTION OPTION DE GRADATION

DV 0-10V DIMMING (120V-277V)  
DP PHASE DIMMING (120V ONLY)  
LED DIMMING DRIVER IS STANDARD IN THIS PRODUCT, PLEASE SPECIFY YOUR DIMMING TYPE

### STEM OR CABLE TIGE OU CÂBLE

ST10\* 3/8" (10MM) STEM, NOT FIELD ADJUSTABLE  
AC AIRCRAFT MOUNTING & CLEAR CABLE, FIELD ADJUSTABLE  
\* STEM FINISH SAME AS EXTERIOR FINISH

### STEM OR CABLE LENGTH LONGUEUR DE TIGE OU CÂBLE

36 36" STEM (STD LENGTH)  
60 60" AIRCRAFT CABLE (STD LENGTH)  
\*\* CUSTOM STEM LENGTH (PLEASE SPECIFY)  
\*\* CUSTOM AIRCRAFT CABLE LENGTH (PLEASE SPECIFY)  
FOR OVERALL LENGTH, PLEASE CONTACT YOUR EUREKA REPRESENTATIVE

### MOUNTING MONTAGE

RC ROUND CANOPY / PAVILLON ROND  
FOR LED: 0.50" CANOPY (2471C)

RC

### CANOPY FINISH FINI PAVILLON

WHE WHITE FINE TEXTURE  
ANTE ANTHRACITE FINE TEXTURE

### EXTERIOR SHADE FINISH FINI ABAT-JOUR EXTÉRIEUR

WHE WHITE FINE TEXTURE  
ANTE ANTHRACITE FINE TEXTURE

### INTERIOR SHADE FINISH FINI ABAT-JOUR INTÉRIEUR

WH WHITE

WH

## PRODUCT CHARACTERISTICS CARACTÉRISTIQUES DU PRODUIT



**DESIGN:** Under this large size shade with straight, imposing lines, hides a reflector with soft curves and a generous personality. A concealed LED light source underneath the fixture projects a soft and seductive indirect light.

**INSTALLATION:** Available on a stem or with an easy-to-install triple aircraft cable configuration.

**LIGHT SOURCE:** Custom LED light engine with integrated driver with standard phase or 0-10V dimming capability.

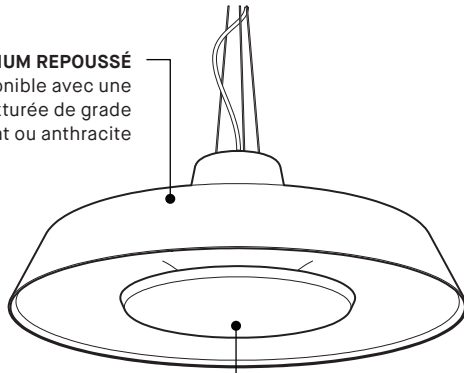
**STRUCTURE:** Custom design spun aluminum shade available in 22" or 35" diameter, with white or anthracite architectural grade fine texture finishes.

**REFLECTOR:** Thermoformed acrylic with matte white frosted finish for optimal light diffusion.

**CERTIFIED:** c-CSA-us

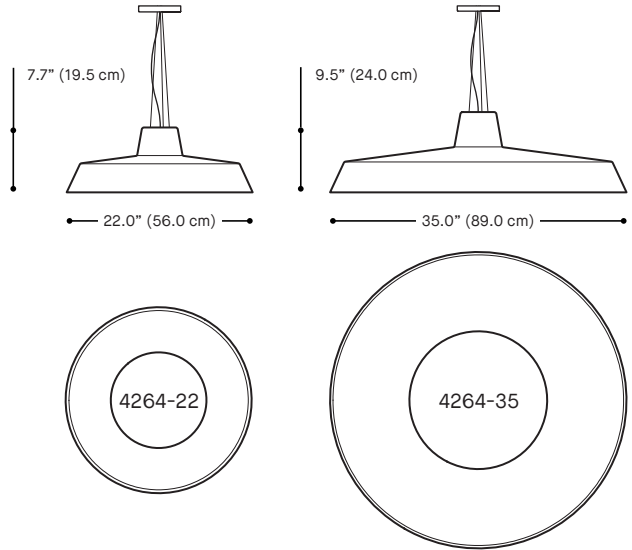
## ABAT-JOUR EN ALUMINIUM REPOUSSÉ

Coque externe disponible avec une peinture finement texturée de grade architectural blanc mat ou anthracite



## SOURCE LUMINEUSE INVISIBLE

Le design à source lumineuse indirecte offre une expérience sans éblouissement.

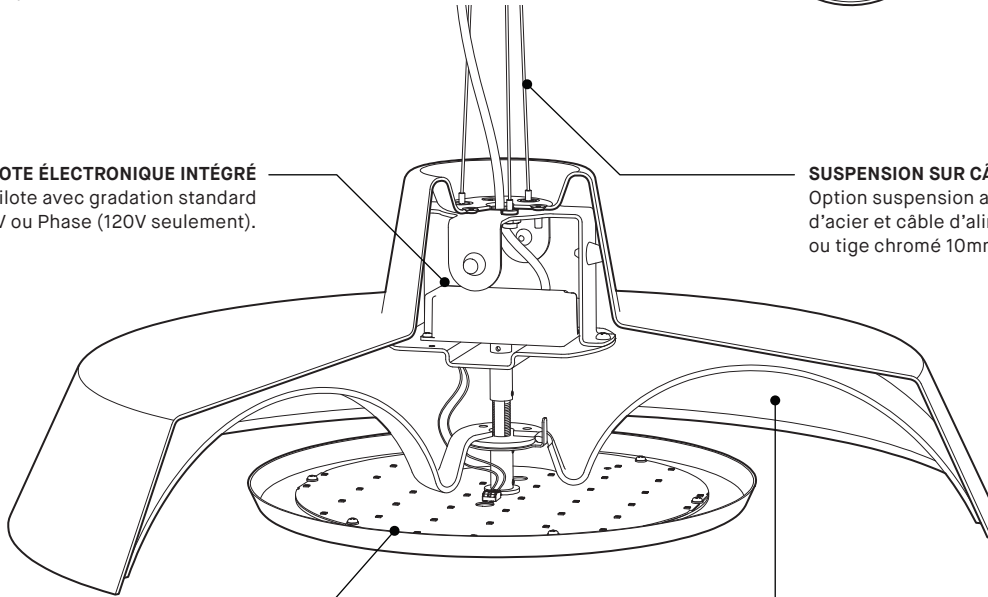


## PILOTE ÉLECTRONIQUE INTÉGRÉ

Pilote avec gradation standard 0-10V ou Phase (120V seulement).

## SUSPENSION SUR CÂBLES OU TIGE

Option suspension avec triple câbles d'acier et câble d'alimentation clair, ou tige chromée 10mm.



## MODULE DEL HAUTE PERFORMANCE

Disque DEL conçu sur mesure.

## RÉFLECTEUR INTERNE

Coupole parabolique blanc mat pour une diffusion optimale.



reddot award 2018 winner



## SPÉCIFICATION PRODUIT

4264-22

4264-35

### PERFORMANCE

	4264-22	4264-35
PUISSANCE TOTALE	25 W	55 W
LUMENS RÉELS (4000K)	1130 LM	2555 LM
EFFICACITÉ	45 LM/W	46 LM/W

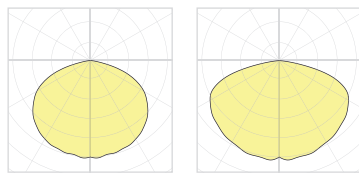
### AUTRES INFORMATION

POIDS DU LUMINAIRE	4264-22	4264-35
	SUR DEMANDE	SUR DEMANDE

## FACTEUR D'EFFICACITÉ

IRC	CCT	FACTEUR
80+	4000K	1.00
80+	3500K	0.98
80+	3000K	0.94
80+	2700K	0.91
90+	4000K	0.88
90+	3500K	0.85
90+	3000K	0.81
90+	2700K	0.77

## DISTRIBUTION LUMINEUSE



4264-22

4264-35



Visitez notre site Web pour les termes et conditions.

# FLYNN 4264-XX

**SPUN ALUMINIUM SHADE**  
External shade available in matte white or charcoal architectural grade fine texture finish

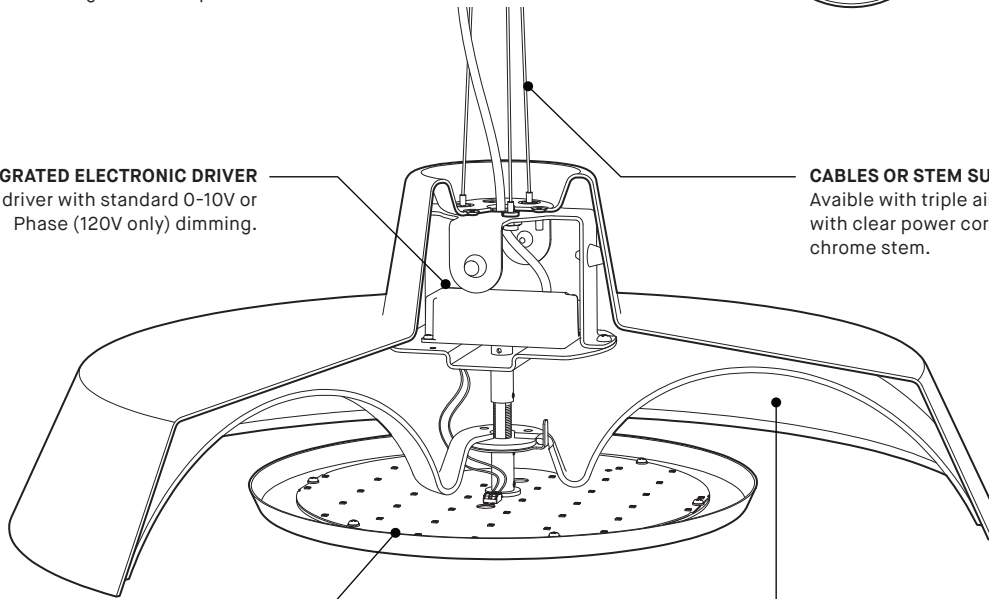
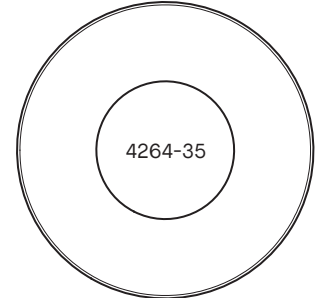
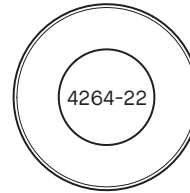
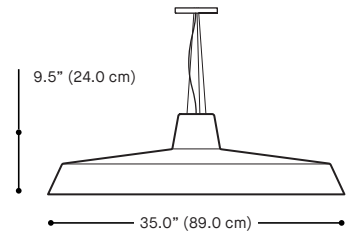
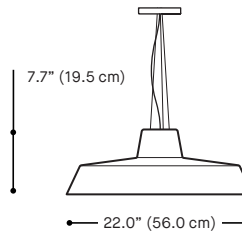
**INVISIBLE LIGHT SOURCE**  
The indirect light source design offers a glare-free experience.

**INTEGRATED ELECTRONIC DRIVER**  
driver with standard 0-10V or Phase (120V only) dimming.

**HIGH PERFORMANCE LED MODULE**  
Custom made LED disk.

**CABLES OR STEM SUSPENSION**  
Available with triple aircraft cables with clear power cord, or 10mm chrome stem.

**INTERNAL REFLECTOR**  
Matte white parabolic dome for optimal light dispersion.



reddot award 2018 winner



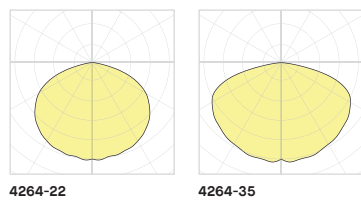
**PRODUCT SPECIFICATION**      **4264-22**      **4264-35**

PERFORMANCE		
SYSTEM WATTAGE	25 W	55 W
DELIVERED LUMENS (4000K)	1130 LM	2555 LM
EFFICACY	45 LM/W	46 LM/W
OTHER INFORMATION		
LUMINAIRE'S WEIGHT	ON REQUEST	ON REQUEST

**EFFICACY MULTIPLIERS**

CRI	CCT	FACTOR
80+	4000K	1.00
80+	3500K	0.98
80+	3000K	0.94
80+	2700K	0.91
90+	4000K	0.88
90+	3500K	0.85
90+	3000K	0.81
90+	2700K	0.77

**LIGHT DISTRIBUTION**



Visit our website for warranty terms and conditions.



**TECHNICAL DATA**